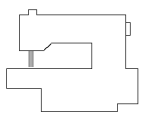
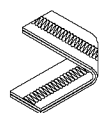
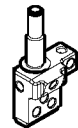
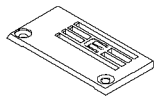
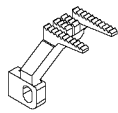
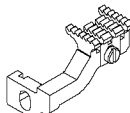
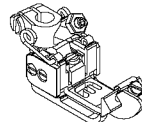
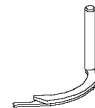


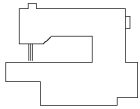
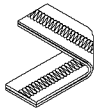
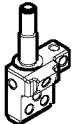
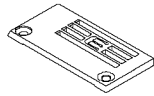
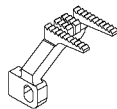
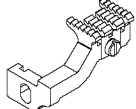
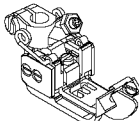



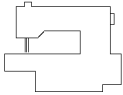
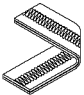
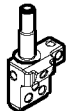
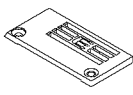
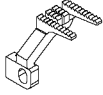
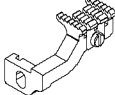
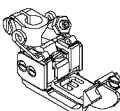

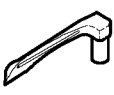

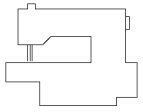
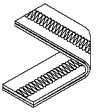
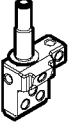
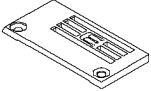
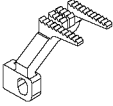
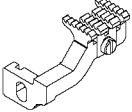
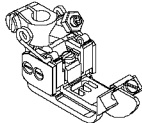
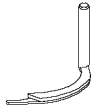


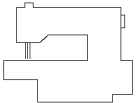
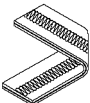
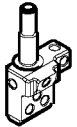
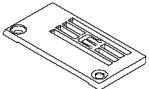
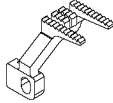
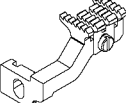
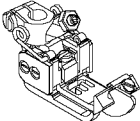





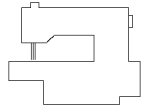
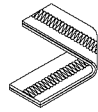
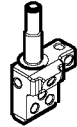
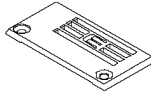
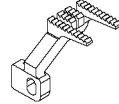
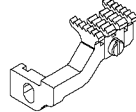
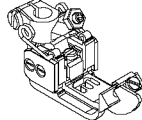



SIRUBA GAGE PARTS LIST		Series			Remark					Page	Date
		C007K / C858K								1/6	2012/12/25
											
MODEL		SUB-CLASS	NEEDLE CLAMP	NEEDLE PLATE	MAIN FEED DOG	DIFF. FEED DOG	PRESSER FOOT	SPREADER	LOOPER	NEEDLE	
機 型		規 格	針 座	針 板	主 送 具	差 送 具	押 具	上 叉	勾 針	針 號	
C007K C858K	W121/CH	232 240 248 348 356 364	M5232 M5240 M5248 M5348 M5356 M5364	E5232KL E5240KL E5248KL E5348KL E5356KL E5364KL	D5356K	H5356K-E	P5232K-A P5240K-A P5248K-A P5348K-A P5356K-A P5364K-A	MH41	MT01	UYX128GAS#10	
	W122/CH			E5232KM E5240KM E5248KM E5348KM E5356KM E5364KM							
	W122/CH/UTS			P5232A-A P5240A-A P5248A-A P5348A-A P5356A-A1 P5364A-A1							
	W122/CH-3M	356 364	M5356 M5364	E5356KM E5364KM			P2456-A P2457-A				
	W123/CH	232 240 248 348 356 364	M5232 M5240 M5248 M5348 M5356 M5364	E5232KH E5240KH E5248KH E5348KH E5356KH E5364KH			P5232K-A P5240K-A P5248K-A P5348K-A P5356K-A P5364K-A				
	W152/CZ/UTP/RLQ	356 364	M5356 M5364	E5356GM E5364GM	D5356G	H5356L	P2416-A P2417-A				
	W152/CZP/RLQ										

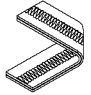
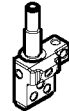
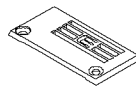
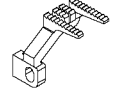
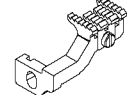
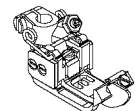
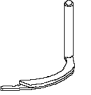


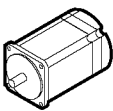
SIRUBA MODEL COMPARE LIST		Series				Remark				Page	Date
		C007K / C858K								2/6	2012/12/25
											
MODEL		SUB-CLASS	NEEDLE CLAMP	NEEDLE PLATE	MAIN FEED DOG	DIFF. FEED DOG	PRESSER FOOT	SPREADER	LOOPER	NEEDLE	
機 型		規 格	針 座	針 板	主 送 具	差 送 具	押 具	上 叉	勾 針	針 號	
C007K C858K	W162	240 248 348 356 364	M5240 M5248 M5348 M5356 M5364	E5240KHA E5248KHA E5348KHA E5356KHA E5364KHA	D5356K	H5356K-E	P5240K-A P5248K-A P5348K-A P5356K-A P5364K-A	MH41	MT01A	TV*5#14~16	
	W222/CQ	240 248 356 364	M5240 M5248 M5356 M5364	E5240GM E5248GM E5356GM E5364GM	D5356G	H5356G	P1814K-A P1815K-A P2116K-A P2117K-A	MH41	MT01	UYX128GAS#10	
	W222/CQA/CLA	256 356	M5356	E2326Q	D21110	H2220Q	P2906Q-A	MH41	MT01A	TVX5#14	
	W322/CC	356 364	M5356	E5356AM E5364AM	D5356K	H5356A	P2456-A P2457-A	MH41	MT01	UYX128GAS#10	
	W322/CE		M5364	E5356BM E5364BM		H5356B					
	W512/FE(FFC)	232 240 356 364	M5232 M5240 M5356 M5364	E5232FM E5240FM E5356FM E5364FM	D5356K	H5356K-E	P2913-A P2914-A P3216-A P3217-A	—	MT01	UYX128GAS#10	
	U512/FE(FFC)	240 356 364	M5240 M5356 M5364	E5240FM E5356FM E5364FM			P3414-A P3716-A P3717-A				

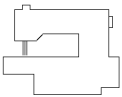
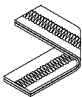
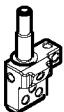
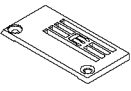
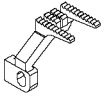
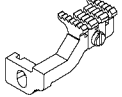
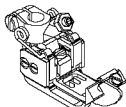



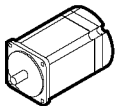
SIRUBA GAGE PARTS LIST		Series				Remark				Page	Date
		C007K / C858K								3 / 6	2012/12/25
											
MODEL		SUB-CLASS	NEEDLE CLAMP	NEEDLE PLATE	MAIN FEED DOG	DIFF. FEED DOG	PRESSER FOOT	SPREADER	LOOPER	NEEDLE	
機 型		規 格	針 座	針 板	主 送 具	差 送 具	押 具	上 叉	勾 針	針 號	
C007K C858K	W522/FE(FFC)/CR	232 240 248 348 356 364	M5232 M5240 M5248 M5348 M5356 M5364	E5232CH E5240CH E5232CH E5348CH E5356CH E5364CH	D5356C	H5356C	P3813R-A1 P5240C-A1 P5248C-A1 P5348C-A1 P3816R-A1 P3817R-A1	MH41	MT01	UYX128GAS#10	
	W522/CR						P3813R-A P5240C-A P5248C-A P5348C-A P3816R-A P3817R-A				
	W532/CR/UTP/CL/RLP/CX										
	W542/CFC/CL/FH/2(3A)	240 248 356 364	M5240 M5248 M5356 M5364	E2324P E2325P E2326P E2327P	D2109	H2219	P2904-A P2905-A P2906-A P2907-A				
					D2110	H2220					
	W811/CRL	232 240 248 356 364	M5232 M5240 M5248 M5356 M5364	E5232HL E5240HL E5248HL E5356HL E5364HL	D5356H	H5356H	P2763-A P2764-A P2765-A P2766-A P2767-A				
U811/CRL		P0963-A P0964-A P0965-A P0966-A P0967-A									

SIRUBA MODEL COMPARE LIST		Series				Remark				Page	Date
		C007K / C858K				W812 /W813 : 4rof teeth W812A/W813A : 5rof teeth				4/6	2012/12/25
											
MODEL		SUB-CLASS	NEEDLE CLAMP	NEEDLE PLATE	MAIN FEED DOG	DIFF. FEED DOG	PRESSER FOOT	SPREADER	LOOPER	NEEDLE	
機 型		規 格	針 座	針 板	主 送 具	差 送 具	押 具	上 叉	勾 針	針 號	
C007K C858K	W811A/CRL	232 240 248 356 364	M5232 M5240 M5248 M5356 M5364	E5232JL E5240JL E5248JL E5356JL E5364JL	D5356H	H5356J	P2763-A P2764-A P2765-A P2766-A P2767-A	MH41	MT01	UYX128GAS#10	
	U811A/CRL						P0963-A P0964-A P0965-A P0966-A P0967-A	—			
	W812/CRL			P2763-A P2764-A P2765-A P2766-A P2767-A		MH41					
	U812/CRL			P0963-A P0964-A P0965-A P0966-A P0967-A		—					
	W812A/CRL			E5232JM E5240JM E5248JM E5356JM E5364JM		H5356J	P2763-A P2764-A P2765-A P2766-A P2767-A	MH41			

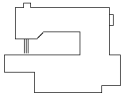
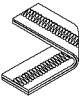
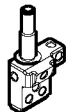
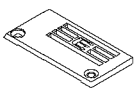
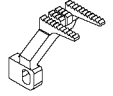
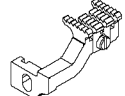
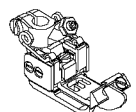



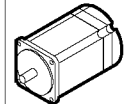
SIRUBA MODEL COMPARE LIST		Series				Remark				Page	Date
		C007K / C858K				W812 /W813 : 4rof teeth W812A/W813A : 5rof teeth				5/6	2012/12/25
											
MODEL		SUB-CLASS	NEEDLE CLAMP	NEEDLE PLATE	MAIN FEED DOG	DIFF. FEED DOG	PRESSER FOOT	SPREADER	LOOPER	NEEDLE	
機 型		規 格	針 座	針 板	主 送 具	差 送 具	押 具	上 叉	勾 針	針 號	
C007K C858K	U812A/CRL	232 240 248 356 364	M5232 M5240 M5248 M5356 M5364	E5232JM E5240JM E5248JM E5356JM E5364JM	D5356H	H5356J	P0963-A P0964-A P0965-A P0966-A P0967-A	—	MT01	UYX128GAS#10	
	W813/CRL			E5232HH E5240HH E5248HH E5356HH E5364HH		H5356H	P2763-A P2764-A P2765-A P2766-A P2767-A	MH41			
	U813/CRL			E5232JH E5240JH E5248JH E5356JH E5364JH		H5356J	P0963-A P0964-A P0965-A P0966-A P0967-A	—			
	W813A/CRL			E5232HL E5240HL E5248HL E5356HL E5364HL		H5356H	P2763-A P2764-A P2765-A P2766-A P2767-A	MH41			
	W821/CRL/CHP/UTP/CL/RL										

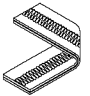
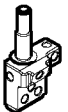
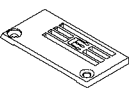
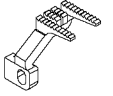
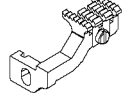
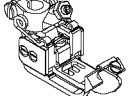



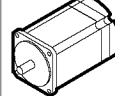
SiRUBA GAGE PARTS LIST		Series				Remark				Page	Date
		C007K / C858K								6/6	2012/12/25
											
MODEL		SUB-CLASS	NEEDLE CLAMP	NEEDLE PLATE	MAIN FEED DOG	DIFF. FEED DOG	PRESSER FOOT	SPREADER	LOOPER	NEEDLE	
機 型		規 格	針 座	針 板	主 送 具	差 送 具	押 具	上 叉	勾 針	針 號	
C007K C858K	U821/CRL/CHP/UTP/CL/RL	232 240 248 356 364	M5232 M5240 M5248 M5356 M5364	E5232HL E5240HL E5248HL E5356HL E5364HL	D5356H	H5356H	P0963-A P0964-A P0965-A P0966-A P0967-A	—	MT01	UYX128GAS#10	
	W822/CRL/CHP/UTP/CL/RL			E5232HM E5240HM E5248HM E5356HM E5364HM			P2763-A P2764-A P2765-A P2766-A P2767-A	MH41			
	U822/CRL/CHP/UTP/CL/RL			E5232HH E5240HH E5248HH E5356HH E5364HH			P0963-A P0964-A P0965-A P0966-A P0967-A	—			
	W823/CRL/CHP/UTP/CL/RL			E5232HH E5240HH E5248HH E5356HH E5364HH			P2763-A P2764-A P2765-A P2766-A P2767-A	MH41			
	U823/CRL/CHP/UTP/CL/RL			E5232HH E5240HH E5248HH E5356HH E5364HH			P0963-A P0964-A P0965-A P0966-A P0967-A	—			
	W922/CW			456 464			M5456K M5464K	E5456KM E5464KM			D5456K

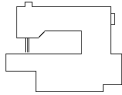
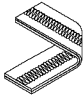
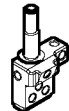
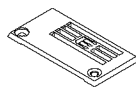
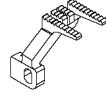
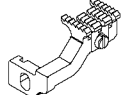
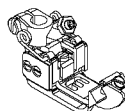



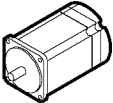
SIRUBA GAGE PARTS LIST		Series					Remark				Page	Date
		C007KD / C858KD									1/5	2012/12/26
												
MODEL		SUB-CLASS	NEEDLE CLAMP	NEEDLE PLATE	MAIN FEED DOG	DIFF. FEED DOG	PRESSER FOOT	SPREADER	LOOPER	NEEDLE	Motor	
機 型		規 格	針 座	針 板	主 送 具	差 送 具	押 具	上 叉	勾 針	針 號	馬 達	
C007KD C858KD	W121/CH	232 240 248 348 356 364	M5232 M5240 M5248 M5348 M5356 M5364	E5232KL E5240KL E5248KL E5348KL E5356KL E5364KL	D5356K	H5356K-E	P5232K-A P5240K-A P5248K-A P5348K-A P5356K-A P5364K-A	MH41	MT01	UYX128GAS#10	T501HE	
	W122/CH			E5232KM E5240KM E5248KM E5348KM E5356KM E5364KM								
	W122/CH/UTS			E5232KH E5240KH E5248KH E5348KH E5356KH E5364KH								
	W123/CH			E5232KH E5240KH E5248KH E5348KH E5356KH E5364KH								
	W152/CZ/UTP/RLQ	356 364	M5356 M5364	E5356GM E5364GM	D5356G	H5356L	P2416-A P2417-A					
	W152/CZP/RLQ											
	W162	240 248 348 356 364	M5240 M5248 M5348 M5356 M5364	E5240KHA E5248KHA E5348KHA E5356KHA E5364KHA	D5356K	H5356K-E	P5240K-A P5248K-A P5348K-A P5356K-A P5364K-A					MT01A

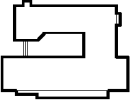


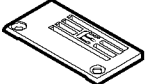
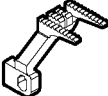
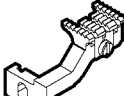

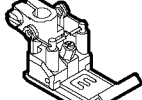



SIRUBA MODEL COMPARE LIST		Series					Remark				Page	Date
		C007KD / C858KD									2/5	2012/12/26
												
MODEL		SUB-CLASS	NEEDLE CLAMP	NEEDLE PLATE	MAIN FEED DOG	DIFF. FEED DOG	PRESSER FOOT	SPREADER	LOOPER	NEEDLE	Motor	
機 型		規 格	針 座	針 板	主 送 具	差 送 具	押 具	上 叉	勾 針	針 號	馬 達	
C007KD C858KD	W222/CQ	240 248 356 364	M5240 M5248 M5356 M5364	E5240GM E5248GM E5356GM E5364GM	D5356G	H5356G	P1814K-A P1815K-A P2116K-A P2117K-A	MH41	MT01	UYX128GAS#10	T501HE	
	W222/CQA/CLA	256 356	M5356	E2326Q	D21110	H2220Q	P2906Q-A		MT01A	TVX5#14		
	W322/CC	356 364	M5356	E5356AM E5364AM	D5356K	H5356A	P2456-A P2457-A		MT01	UYX128GAS#10		
	W322/CE		M5364	E5356BM E5364BM		H5356B						
	W522/CR	232 240 248 348 356 364	M5232 M5240 M5248 M5348 M5356 M5364	E5232CH E5240CH E5248CH E5348CH E5356CH E5364CH	D5356C	H5356C	P3813R-A P5240C-A P5248C-A P5348C-A P3816R-A P3817R-A					
	W532/CR/UTP/CL/RLP/CX	232 240 248 348 356 364	M5232 M5240 M5248 M5348 M5356 M5364	E5232CH E5240CH E5232CH E5348CH E5356CH E5364CH								
	W811/CRL	232 240 248 356 364	M5232 M5240 M5248 M5356 M5364	E5232HL E5240HL E5248HL E5356HL E5364HL	D5356H	H5356H	P2763-A P2764-A P2765-A P2766-A P2767-A					

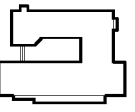
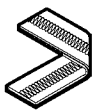
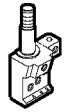
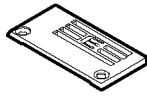
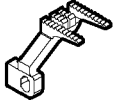
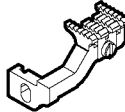

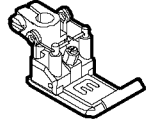





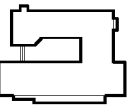
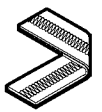
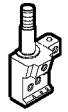
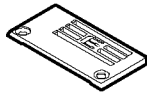
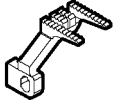
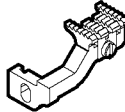

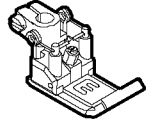



SIRUBA GAGE PARTS LIST		Series			Remark						Page	Date
		C007KD / C858KD			W812 / W813 : 4rof teeth W812A/W813A : 5rof teeth						3 / 5	2012/12/26
												
MODEL		SUB-CLASS	NEEDLE CLAMP	NEEDLE PLATE	MAIN FEED DOG	DIFF. FEED DOG	PRESSER FOOT	SPREADER	LOOPER	NEEDLE	Motor	
機 型		規 格	針 座	針 板	主 送 具	差 送 具	押 具	上 叉	勾 針	針 號	馬 達	
C007KD C858KD	U811/CRL	232 240 248 356 364	M5232 M5240 M5248 M5356 M5364	E5232HL E5240HL E5248HL E5356HL E5364HL	D5356H	H5356H	P0963-A P0964-A P0965-A P0966-A P0967-A	—	MT01	UYX128GAS#10	H T501HE	
	W811A/CRL			E5232JL E5240JL E5248JL E5356JL E5364JL		H5356J	P2763-A P2764-A P2765-A P2766-A P2767-A	MH41				
	U811A/CRL			P0963-A P0964-A P0965-A P0966-A P0967-A		—						
	W812/CRL			E5232HM E5240HM E5248HM E5356HM E5364HM		H5356H	P2763-A P2764-A P2765-A P2766-A P2767-A	MH41				
	U812/CRL			P0963-A P0964-A P0965-A P0966-A P0967-A		—						
	W812A/CRL			E5232JM E5240JM E5248JM E5356JM E5364JM		H5356J	P2763-A P2764-A P2765-A P2766-A P2767-A	MH41				

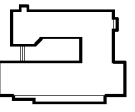
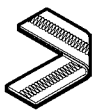
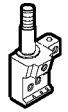
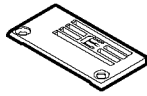
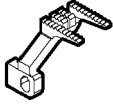
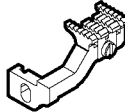

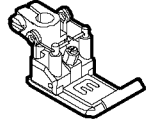



SIRUBA MODEL COMPARE LIST		Series				Remark					Page	Date
		C007KD / C858KD				W812 /W813 : 4rof teeth W812A/W813A : 5rof teeth					4/5	2012/12/26
												
MODEL		SUB-CLASS	NEEDLE CLAMP	NEEDLE PLATE	MAIN FEED DOG	DIFF. FEED DOG	PRESSER FOOT	SPREADER	LOOPER	NEEDLE	Motor	
機 型		規 格	針 座	針 板	主 送 具	差 送 具	押 具	上 叉	勾 針	針 號	馬 達	
C007KD C858KD	U812A/CRL	232 240 248 356 364	M5232 M5240 M5248 M5356 M5364	E5232JM E5240JM E5248JM E5356JM E5364JM	D5356H	H5356J	P0963-A P0964-A P0965-A P0966-A P0967-A	—	MT01	UYX128GAS#10	T501HE	
	W813/CRL			E5232HH E5240HH E5248HH E5356HH E5364HH		H5356H	P2763-A P2764-A P2765-A P2766-A P2767-A	MH41				
	U813/CRL			E5232JH E5240JH E5248JH E5356JH E5364JH		H5356J	P0963-A P0964-A P0965-A P0966-A P0967-A	—				
	W813A/CRL			E5232HL E5240HL E5248HL		H5356H	P2763-A P2764-A P2765-A P2766-A P2767-A	MH41				
	W821/CRL/CHP/UTP/CL/RL			E5356HL E5364HL		H5356H	P0963-A P0964-A P0965-A P0966-A P0967-A	—				
	U821/CRL/CHP/UTP/CL/RL											

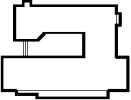


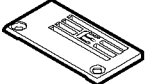
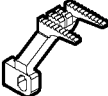
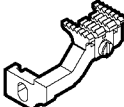

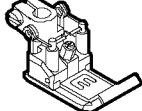



SIRUBA GAGE PARTS LIST		Series					Remark				Page	Date
		C007KD / C858KD									5/5	2012/12/26
												
MODEL		SUB-CLASS	NEEDLE CLAMP	NEEDLE PLATE	MAIN FEED DOG	DIFF. FEED DOG	PRESSER FOOT	SPREADER	LOOPER	NEEDLE	Motor	
機 型		規 格	針 座	針 板	主 送 具	差 送 具	押 具	上 叉	勾 針	針 號	馬 達	
C007KD C858KD	W822/CRL/CHP/UTP/CL/RL	232 240 248 356 364	M5232 M5240 M5248 M5356 M5364	E5232HM E5240HM E5248HM E5356HM E5364HM	D5356H	H5356H	P2763-A P2764-A P2765-A P2766-A P2767-A	MH41	MT01	UYX128GAS#10	T501HE	
	U822/CRL/CHP/UTP/CL/RL						P0963-A P0964-A P0965-A P0966-A P0967-A	—				
	W823/CRL/CHP/UTP/CL/RL			P2763-A P2764-A P2765-A P2766-A P2767-A			MH41					
	U823/CRL/CHP/UTP/CL/RL			P0963-A P0964-A P0965-A P0966-A P0967-A			—					
	W922/CW	456 460 464	M5456K M5460K M5464K	E5456KM E5460KM E5464KM	D5456K	H5456K-E	P5456K-A P5460K-A P5464K-A	MH41	MT01B	SM1014B#10		

SIRUBA GAGE PARTS LIST		Series				Remark					Page	Date
		C007KD				USE FOR FFT					1 / 5	2012/11/01
												
MODEL	SUB-CLASS	NEEDLE CLAMP	NEEDLE PLATE	MAIN FEED DOG	DIFF. FEED DOG	TOP FEED DOG	PRESSER FOOT	LOOPER	SPREADER	NEEDLE		
機 型	規 格	針 座	針 板	主送具	差送具	上送具	壓 具	勾 針	上 叉	使用針		
W121/FFT/CH	240 248 356 364	M5240 M5248 M5356 M5364	E5240KL E5248KL E5356KL E5364KL	D5356K	H5356K-E	F7356N	P7240N-A P7248N-A P7356N-A P7364N-A	MT01	MH41	UYX128GAS#10		
W121/FFT/CH /UTP(UTR)	240 248 356 364	M5240 M5248 M5356 M5364	E5240KL E5248KL E5356KL E5364KL	D5356K	H5356K-E	F7356N	P7240N-A P7248N-A P7356N-A P7364N-A	MT01	MH41	UYX128GAS#10		
W122/FFT/CH	240 248 356 364	M5240 M5248 M5356 M5364	E5240KM E5248KM E5356KM E5364KM	D5356K	H5356K-E	F7356N	P7240N-A P7248N-A P7356N-A P7364N-A	MT01	MH41	UYX128GAS#10		
W122/FFT/CH /UTP(UTR)	240 248 356 364	M5240 M5248 M5356 M5364	E5240KM E5248KM E5356KM E5364KM	D5356K	H5356K-E	F7356N	P7240N-A P7248N-A P7356N-A P7364N-A	MT01	MH41	UYX128GAS#10		

SIRUBA GAGE PARTS LIST		Series				Remark					Page	Date
		C007KD				USE FOR FFT					2 / 5	2012/11/01
												
MODEL	SUB-CLASS	NEEDLE CLAMP	NEEDLE PLATE	MAIN FEED DOG	DIFF. FEED DOG	TOP FEED DOG	PRESSER FOOT	LOOPER	SPREADER	NEEDLE		
機 型	規 格	針 座	針 板	主送具	差送具	上送具	壓 具	勾 針	上 叉	使用針		
W131/FFT/CH	240 248 356 364	M5240 M5248 M5356 M5364	E7240CL E7248CL E7356CL E7364CL	D7356C	H7356C	F7356F	P7240F-A P7248F-A P7356F-A P7364F-A	MT01	MH41	UYX128GAS#10		
W131/FFT/CH /UTP(UTR)	240 248 356 364	M5240 M5248 M5356 M5364	E7240CL E7248CL E7356CL E7364CL	D7356C	H7356C	F7356F	P7240F-A P7248F-A P7356F-A P7364F-A	MT01	MH41	UYX128GAS#10		
W132/FFT/CH	240 248 356 364	M5240 M5248 M5356 M5364	E7240CM E7248CM E7356CM E7364CM	D7356C	H7356C	F7356F	P7240F-A P7248F-A P7356F-A P7364F-A	MT01	MH41	UYX128GAS#10		
W132/FFT/CH /UTP(UTR)	240 248 356 364	M5240 M5248 M5356 M5364	E7240CM E7248CM E7356CM E7364CM	D7356C	H7356C	F7356F	P7240F-A P7248F-A P7356F-A P7364F-A	MT01	MH41	UYX128GAS#10		

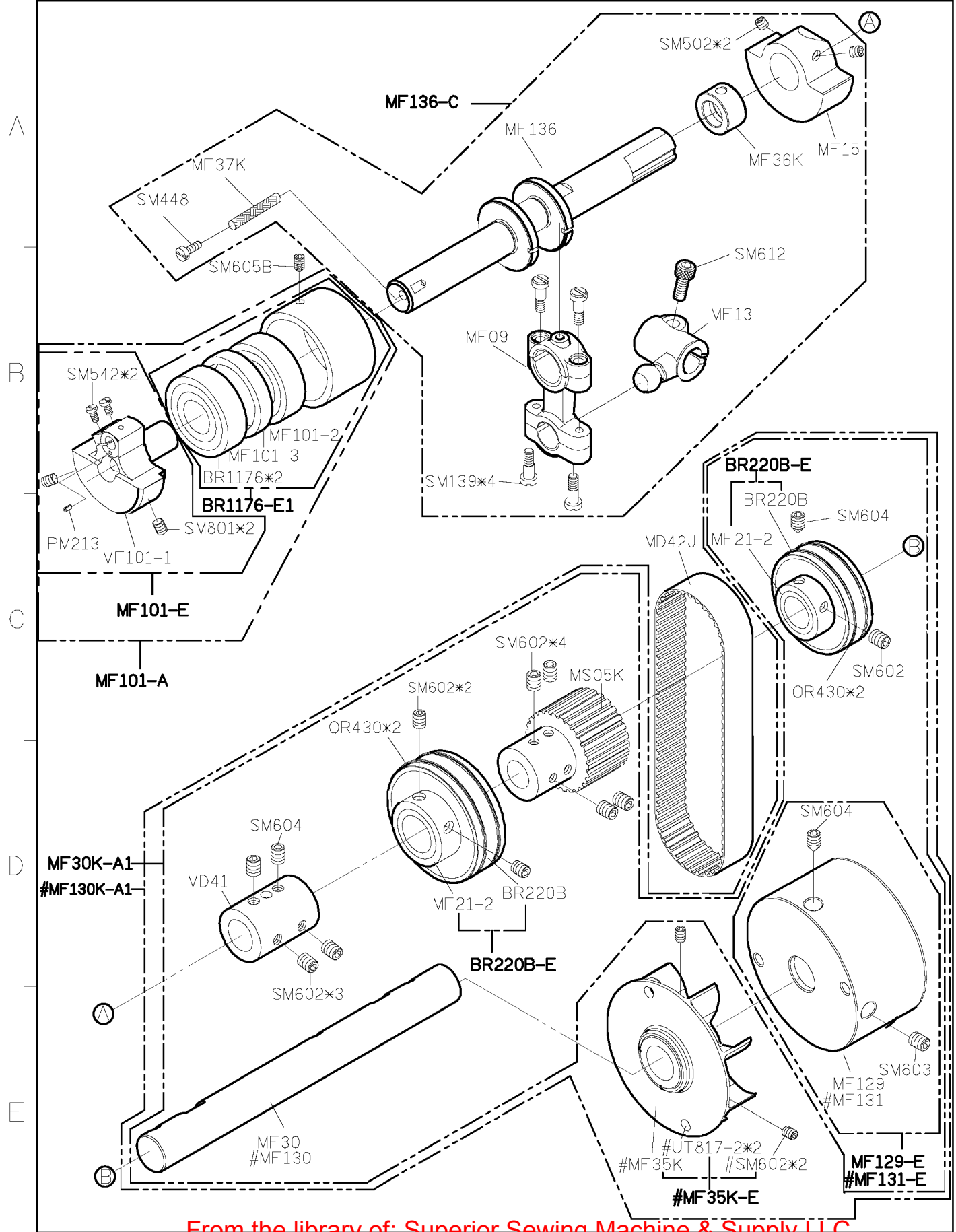
SIRUBA GAGE PARTS LIST		Series				Remark				Page	Date
		C007KD				USE FOR FFT				3/5	2012/11/01
											
MODEL	SUB-CLASS	NEEDLE CLAMP	NEEDLE PLATE	MAIN FEED DOG	DIFF. FEED DOG	TOP FEED DOG	PRESSER FOOT	LOOPER	SPREADER	NEEDLE	
機 型	規 格	針 座	針 板	主送具	差送具	上送具	壓 具	勾 針	上 叉	使用針	
W811A/FFT/CRL	240 248 356 364	M5240 M5248 M5356 M5364	E5240JL E5248JL E5356JL E5364JL	D5356H	H5356J	F7356L	P7240L-A P7248L-A P7356L-A P7364L-A	MT01	MH41	UYX128GAS#10	
U811A/FFT/CRL	240 248 356 364	M5240 M5248 M5356 M5364	E5240JL E5248JL E5356JL E5364JL	D5356H	H5356J	F7356L	P7240H-A P7248H-A P7356H-A P7364H-A	MT01	—	UYX128GAS#10	
W811A/FFT/CRL /UTP(UTR)	240 248 356 364	M5240 M5248 M5356 M5364	E5240JL E5248JL E5356JL E5364JL	D5356H	H5356J	F7356L	P7240L-A P7248L-A P7356L-A P7364L-A	MT01	MH41	UYX128GAS#10	
U811A/FFT/CRL /UTP(UTR)	240 248 356 364	M5240 M5248 M5356 M5364	E5240JL E5248JL E5356JL E5364JL	D5356H	H5356J	F7356L	P7240H-A P7248H-A P7356H-A P7364H-A	MT01	—	UYX128GAS#10	
W812A/FFT/CRL	240 248 356 364	M5240 M5248 M5356 M5364	E5240JM E5248JM E5356JM E5364JM	D5356H	H5356J	F7356L	P7240L-A P7248L-A P7356L-A P7364L-A	MT01	MH41	UYX128GAS#10	
U812A/FFT/CRL	240 248 356 364	M5240 M5248 M5356 M5364	E5240JM E5248JM E5356JM E5364JM	D5356H	H5356J	F7356L	P7240H-A P7248H-A P7356H-A P7364H-A	MT01	—	UYX128GAS#10	
W812A/FFT/CRL /UTP(UTR)	240 248 356 364	M5240 M5248 M5356 M5364	E5240JM E5248JM E5356JM E5364JM	D5356H	H5356J	F7356L	P7240L-A P7248L-A P7356L-A P7364L-A	MT01	MH41	UYX128GAS#10	

SIRUBA GAGE PARTS LIST		Series				Remark				Page	Date
		C007KD				USE FOR FFT				4/5	2012/11/01
											
MODEL	SUB-CLASS	NEEDLE CLAMP	NEEDLE PLATE	MAIN FEED DOG	DIFF. FEED DOG	TOP FEED DOG	PRESSER FOOT	LOOPER	SPREADER	NEEDLE	
機 型	規 格	針 座	針 板	主送具	差送具	上送具	壓 具	勾 針	上 叉	使用針	
U812A/FFT/CRL /UTP(UTR)	240 248 356 364	M5240 M5248 M5356 M5364	E5240JM E5248JM E5356JM E5364JM	D5356H	H5356J	F7356L	P7240H-A P7248H-A P7356H-A P7364H-A	MT01	—	UYX128GAS#10	
W821A/FFT/CRL /UTP(UTR)	240 248 356 364	M5240 M5248 M5356 M5364	E5240JL E5248JL E5356JL E5364JL	D5356H	H5356J	F7356L	P7240L-A P7248L-A P7356L-A P7364L-A	MT01	MH41	UYX128GAS#10	
U821A/FFT/CRL /UTP(UTR)	240 248 356 364	M5240 M5248 M5356 M5364	E5240JL E5248JL E5356JL E5364JL	D5356H	H5356J	F7356L	P7240H-A P7248H-A P7356H-A P7364H-A	MT01	—	UYX128GAS#10	
W821A/FFT/CRL /CHP/UTP	240 248 356 364	M5240 M5248 M5356 M5364	E5240JL E5248JL E5356JL E5364JL	D5356H	H5356J	F7356L	P7240L-A P7248L-A P7356L-A P7364L-A	MT01	MH41	UYX128GAS#10	
U821A/FFT/CRL /CHP/UTP	240 248 356 364	M5240 M5248 M5356 M5364	E5240JL E5248JL E5356JL E5364JL	D5356H	H5356J	F7356L	P7240H-A P7248H-A P7356H-A P7364H-A	MT01	—	UYX128GAS#10	
W822A/FFT/CRL /UTP(UTR)	240 248 356 364	M5240 M5248 M5356 M5364	E5240JM E5248JM E5356JM E5364JM	D5356H	H5356J	F7356L	P7240L-A P7248L-A P7356L-A P7364L-A	MT01	MH41	UYX128GAS#10	
U822A/FFT/CRL /UTP(UTR)	240 248 356 364	M5240 M5248 M5356 M5364	E5240JM E5248JM E5356JM E5364JM	D5356H	H5356J	F7356L	P7240H-A P7248H-A P7356H-A P7364H-A	MT01	—	UYX128GAS#10	

SIRUBA GAGE PARTS LIST		Series				Remark				Page	Date
		C007KD				USE FOR FFT				5/5	2012/11/01
											
MODEL	SUB-CLASS	NEEDLE CLAMP	NEEDLE PLATE	MAIN FEED DOG	DIFF. FEED DOG	TOP FEED DOG	PRESSER FOOT	LOOPER	SPREADER	NEEDLE	
機 型	規 格	針 座	針 板	主送具	差送具	上送具	壓 具	勾 針	上 叉	使用針	
W822A/FFT/CRL /CHP/UTP	240 248 356 364	M5240 M5248 M5356 M5364	E5240JM E5248JM E5356JM E5364JM	D5356H	H5356J	F7356L	P7240L-A P7248L-A P7356L-A P7364L-A	MT01	MH41	UYX128GAS#10	
U822A/FFT/CRL /CHP/UTP	240 248 356 364	M5240 M5248 M5356 M5364	E5240JM E5248JM E5356JM E5364JM	D5356H	H5356J	F7356L	P7240H-A P7248H-A P7356H-A P7364H-A	MT01	—	UYX128GAS#10	



SIRUBA PARTS LIST	Series	Parts Group	Subclass / Remark	Page
	C007K/C007KD	<b>MF-K</b>	#: Use for C007KD/C858KD	1/1
	C858K/C858KD			Date
				2012/11/01



SIRUBA PARTS LIST	Series	Parts Group	Subclass / Remark	Page
	C007K/C007KD	MG-K		1/1
	C858K/C858KD			Date
				2012/11/01

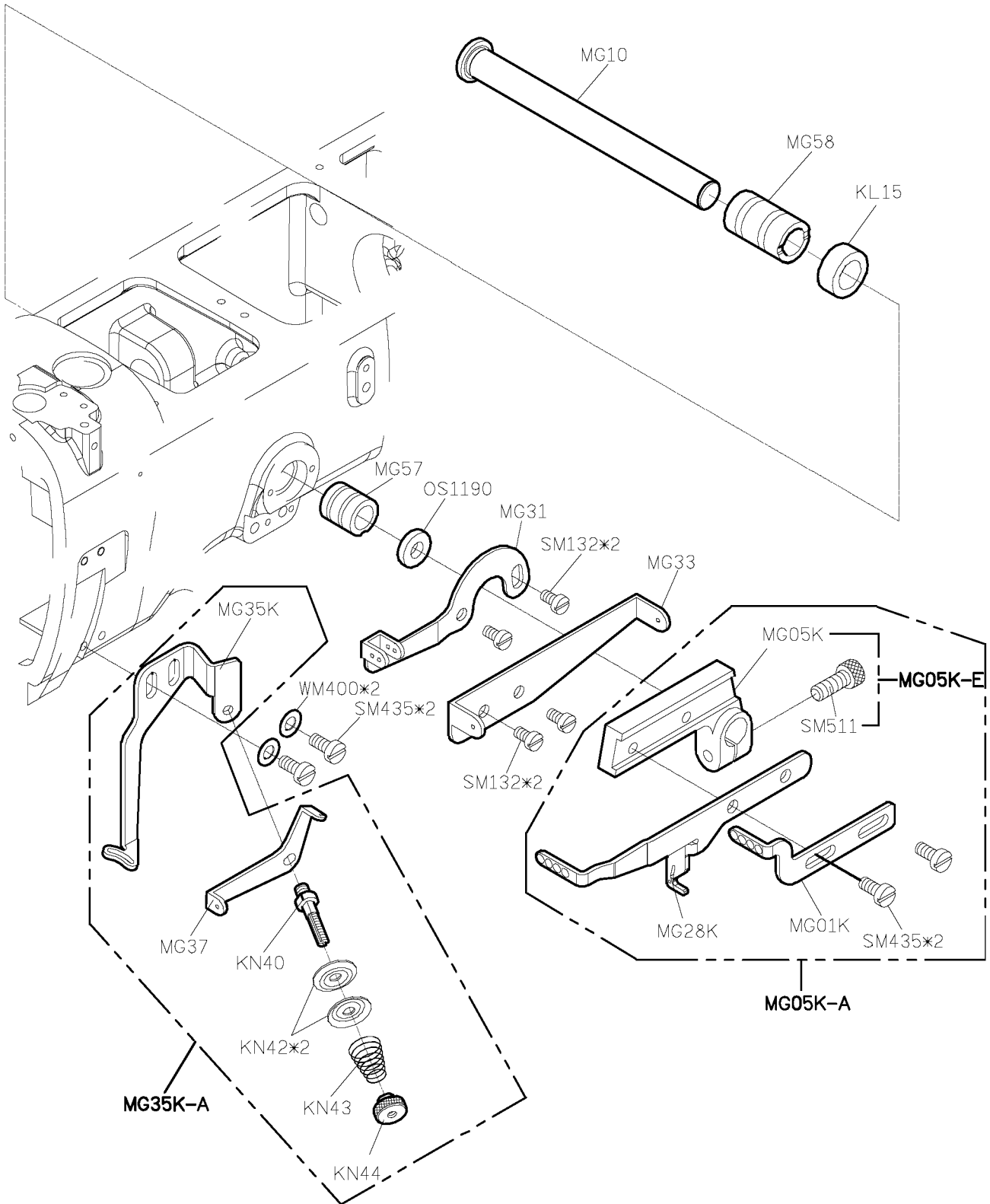
A

B

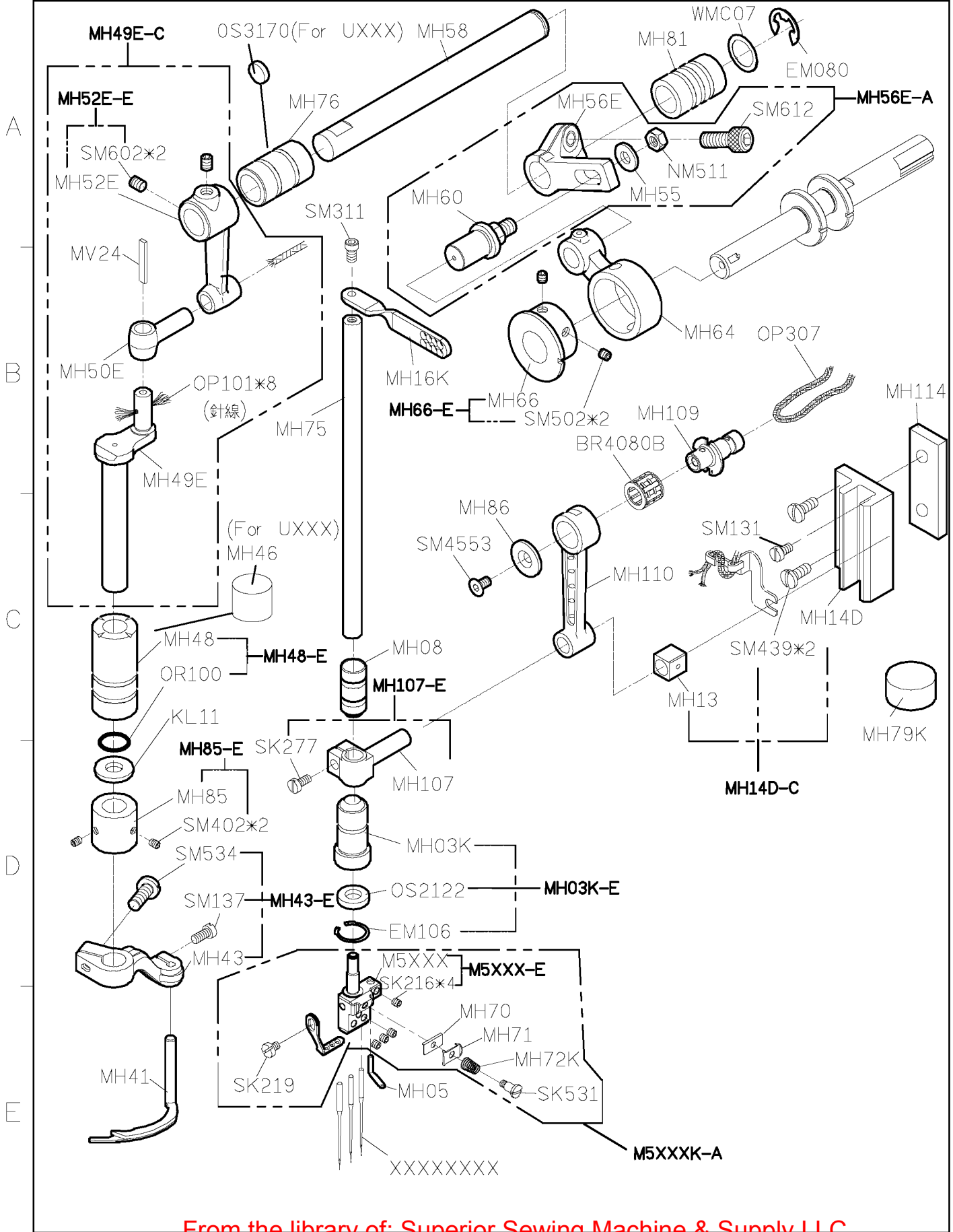
C

D

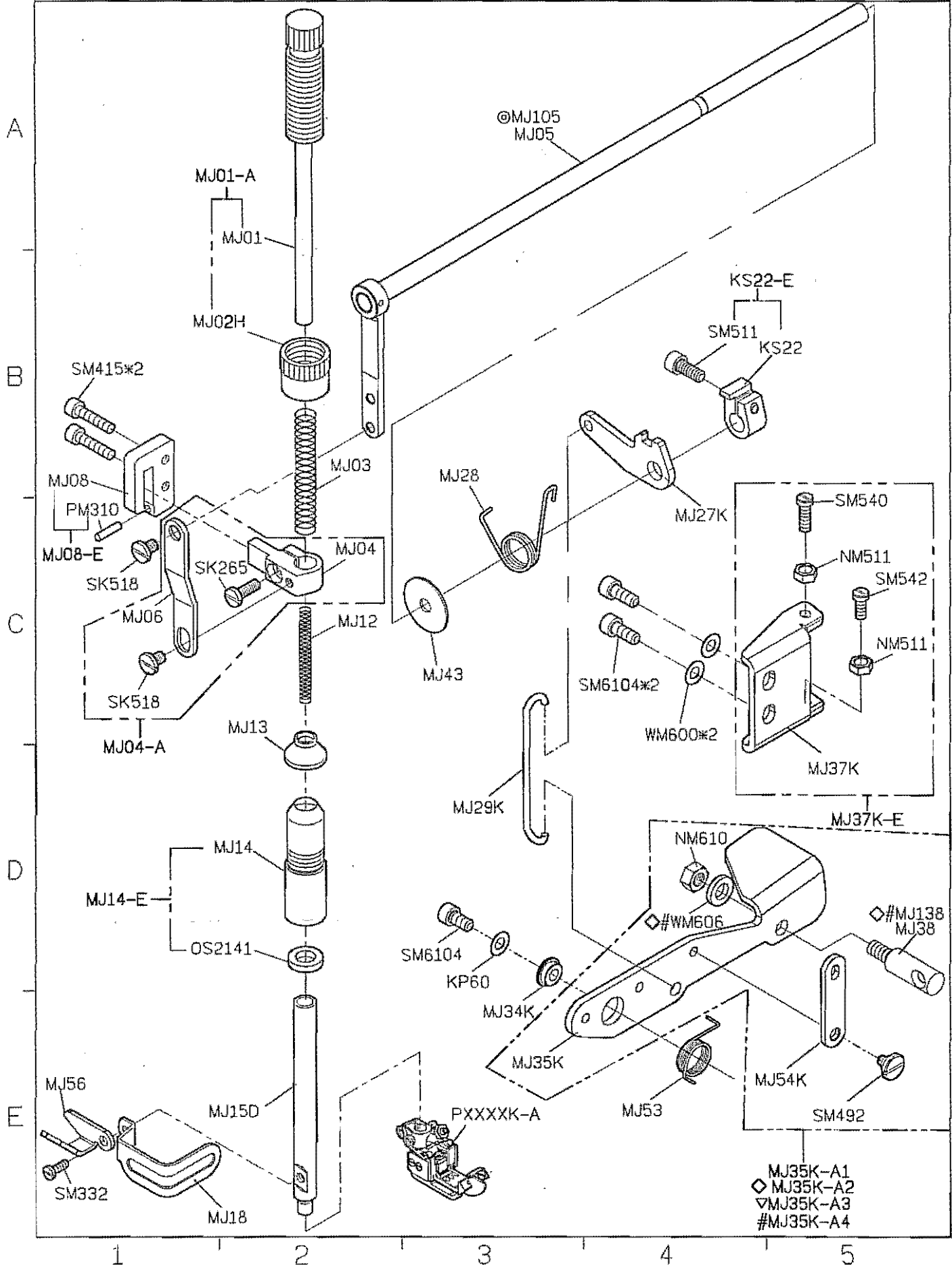
E



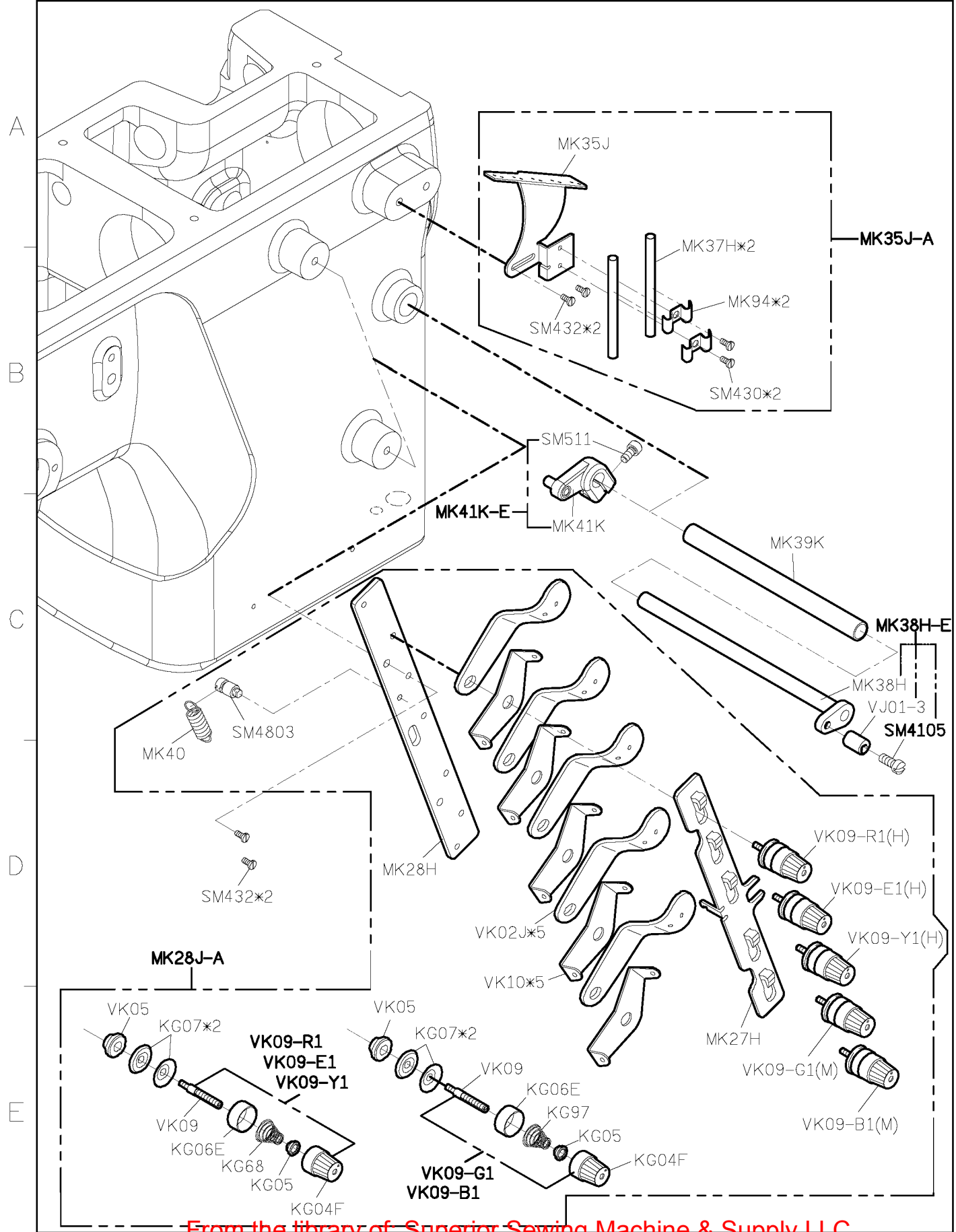
SIRUBA PARTS LIST	Series	Parts Group	Subclass / Remark	Page
	C007K/C007KD	MH-K		1/1
	C858K/C858KD			Date
				2012/11/01



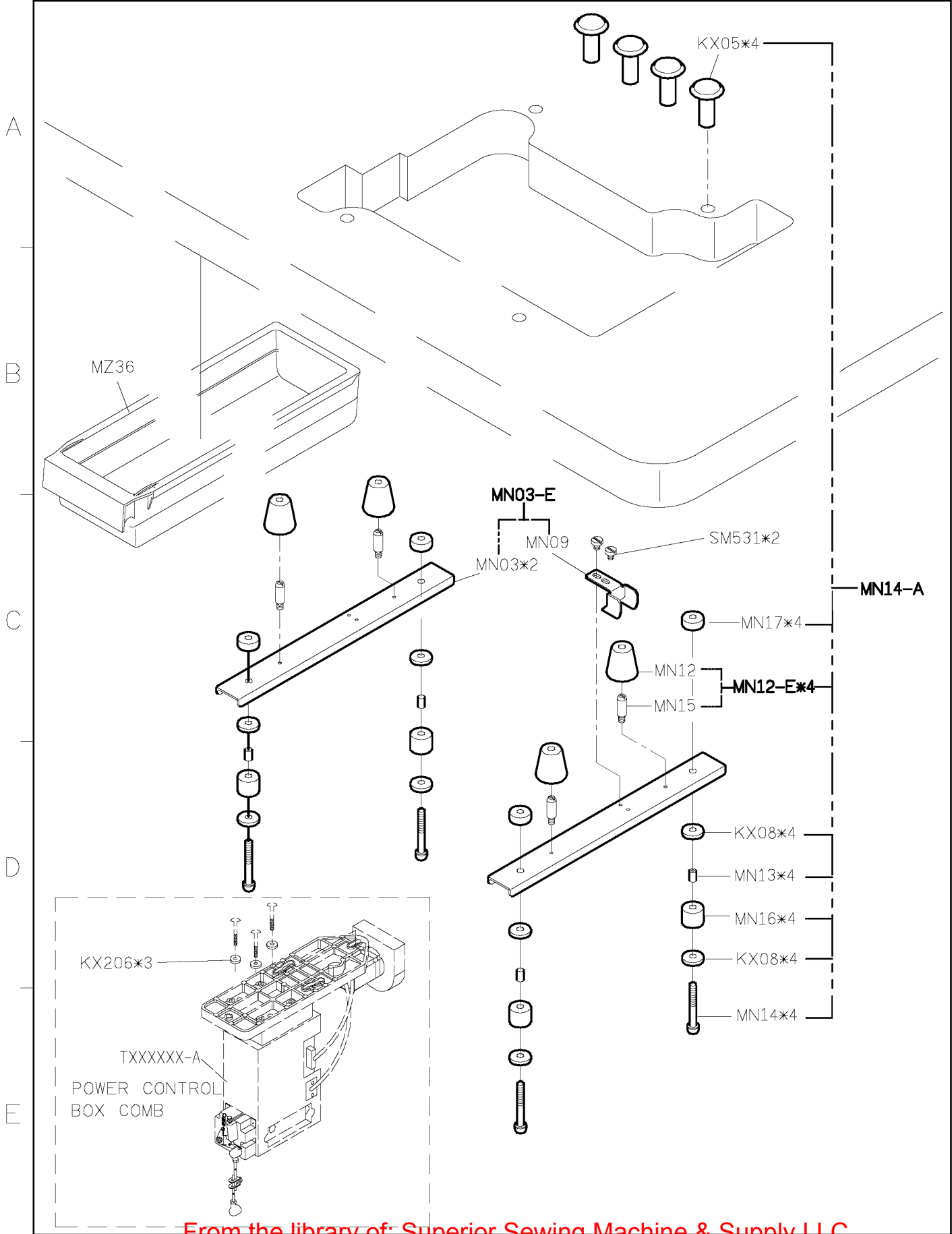
SIRUBA PARTS LIST	Series	Parts Group	Subclass / Remark	Page
	C007K/C007KD C858K/C858KD	MJ-K	◎: Use for C007KD/C858KD ▼: Use for C007K/C858K-UT ◇: Use for C007KD/C858KD-UT #: Use for C007KD/C858KD not for UT	1/1 Date 2013/01/18



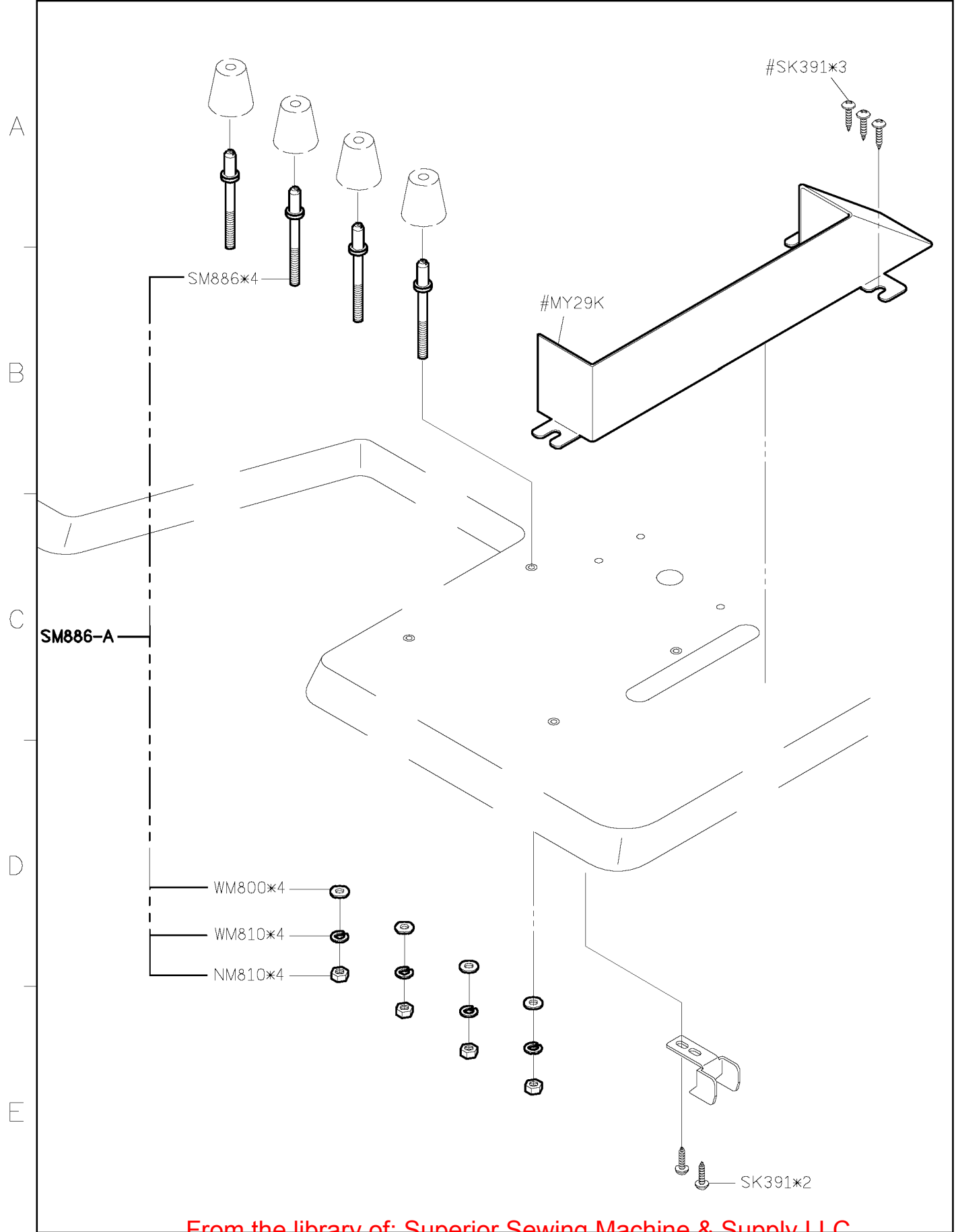
SIRUBA PARTS LIST	Series	Parts Group	Subclass / Remark	Page
	C007K/C007KD	MK-K		1/1
	C858K/C858KD			Date
				2012/11/01



SIRUBA PARTS LIST	Series	Parts Group	Subclass / Remark	Page
	C007K/C007KD	MN-K		1/2
	C858K/C858KD			Date
				2012/11/01

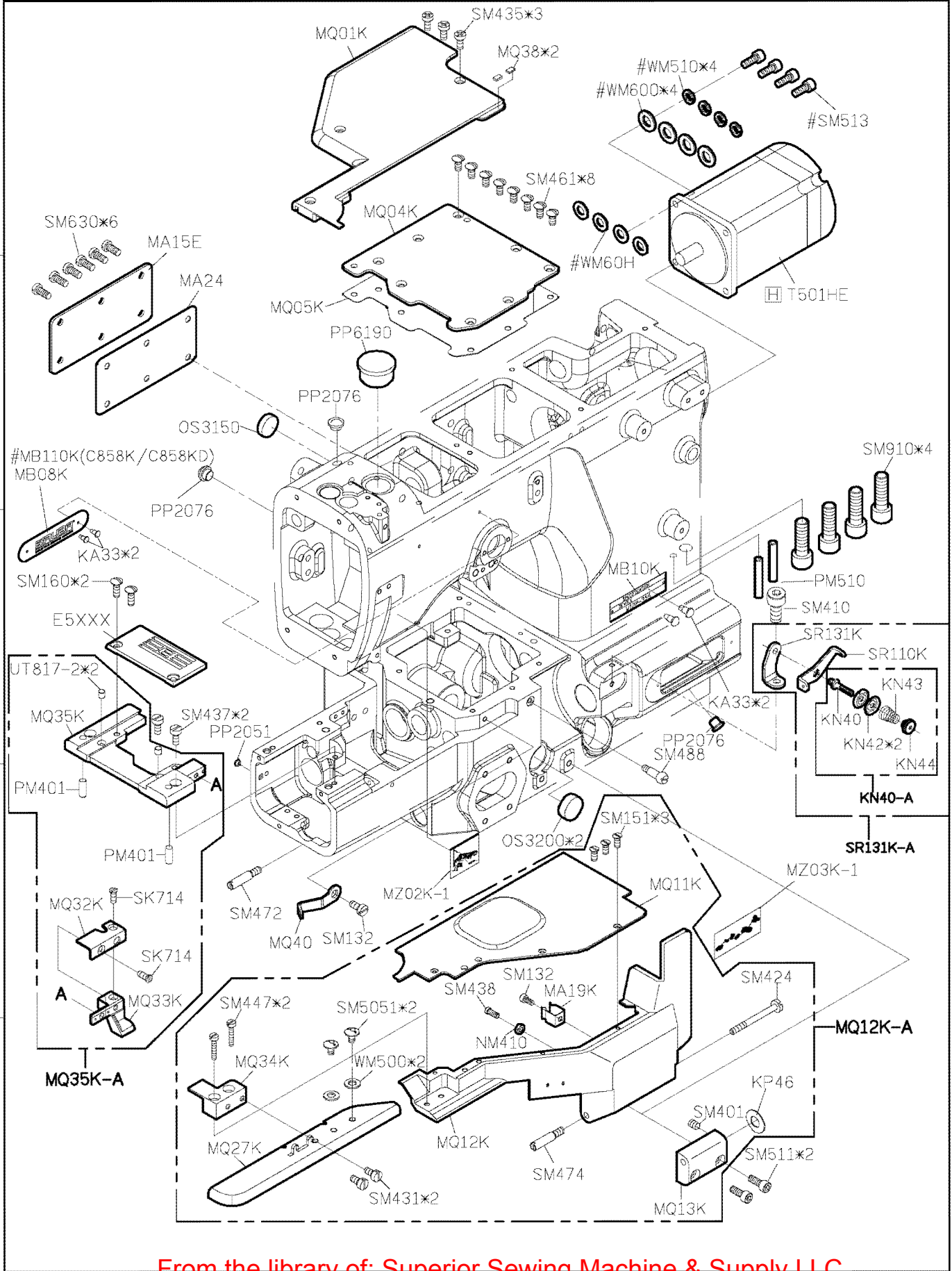


SIRUBA PARTS LIST	Series	Parts Group	Subclass / Remark	Page
	C007K/C007KD	MN-K	#: Use for C007K/C858K	2/2
	C858K/C858KD			Date
	2012/11/01			



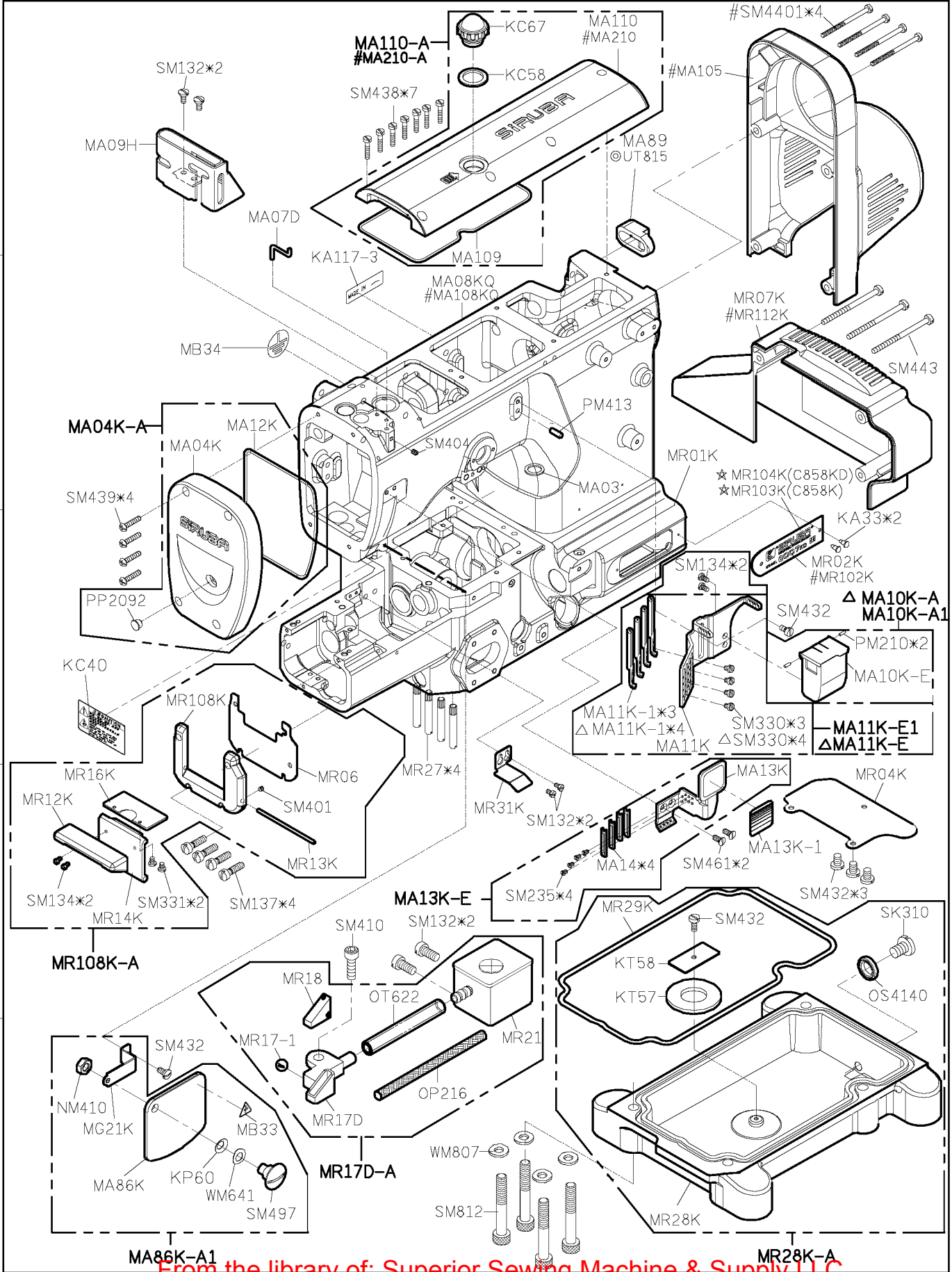


SIRUBA PARTS LIST	Series	Parts Group	Subclass / Remark	Page
	C007K/C007KD	MQ-K	☐ : Use for H牌馬達 # : Use for C007KD/C858KD	1/1
	C858K/C858KD			Date
				2012/11/01

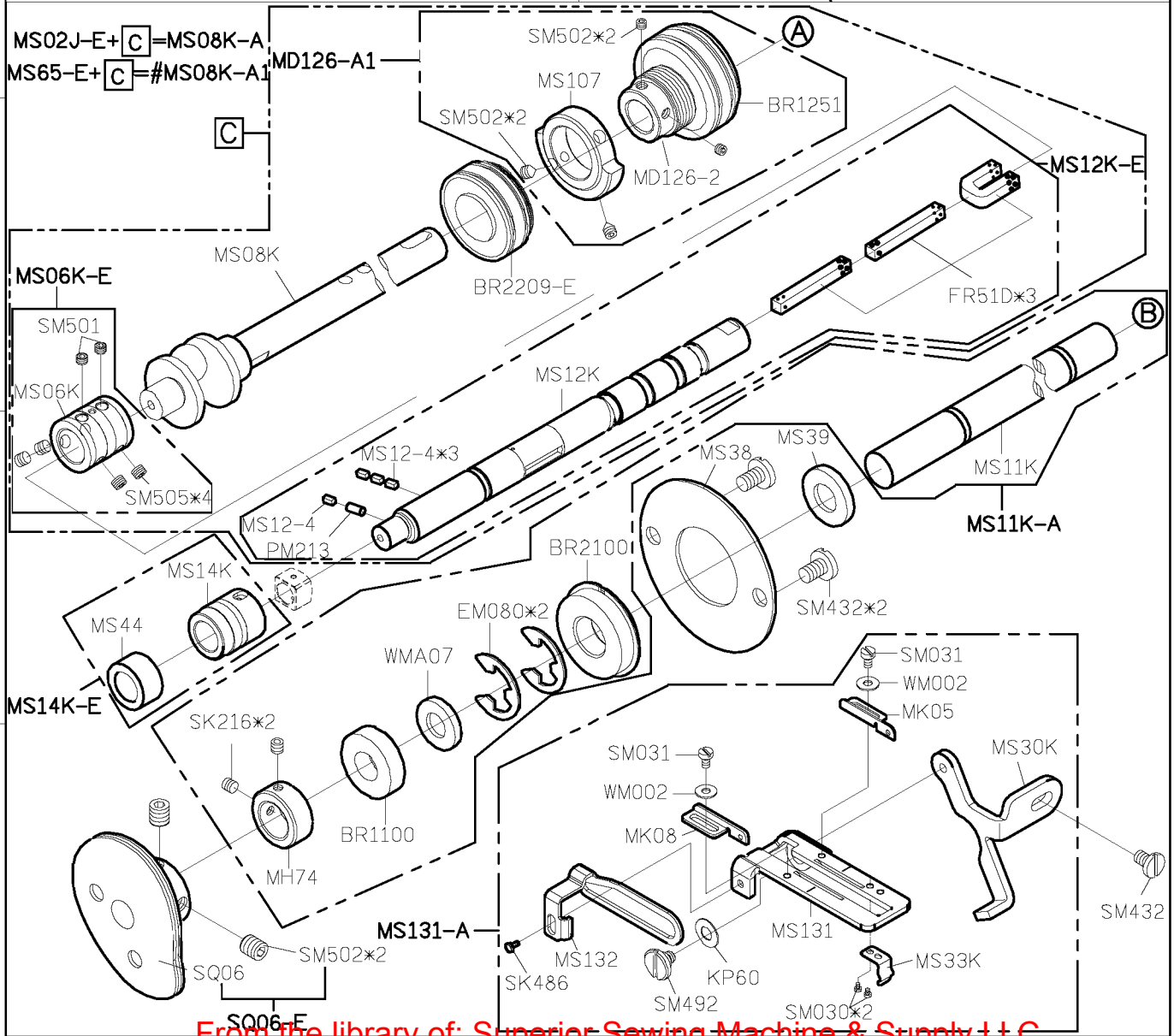
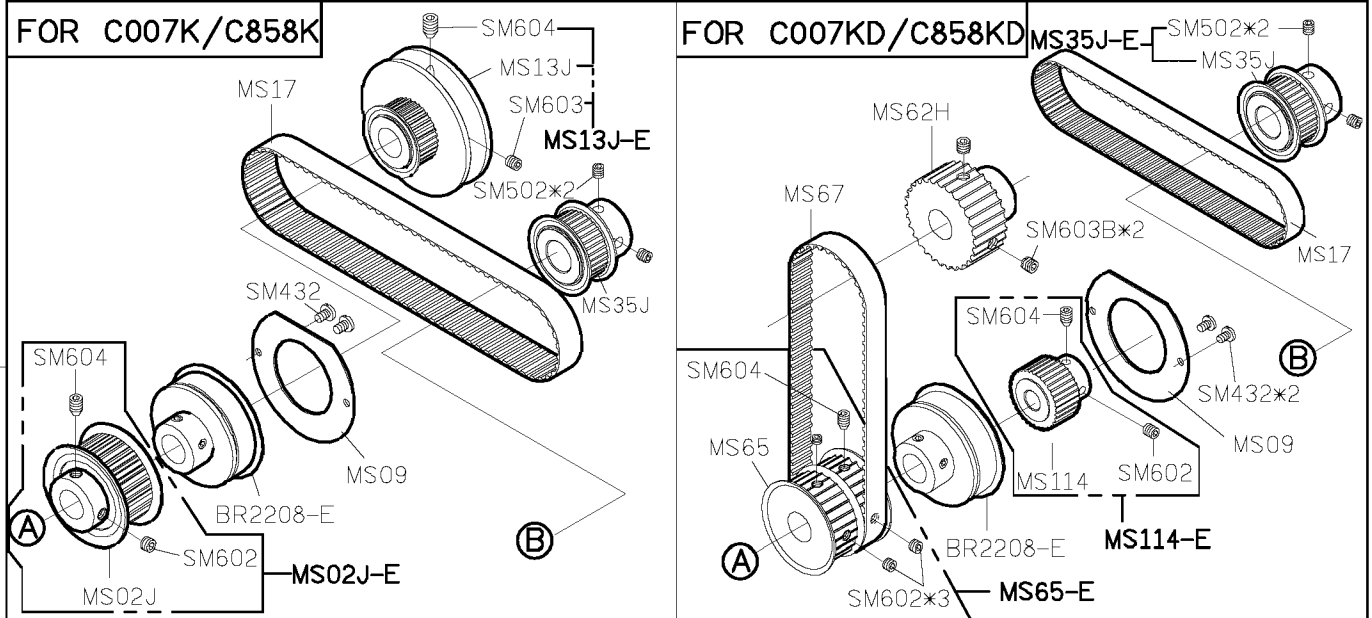




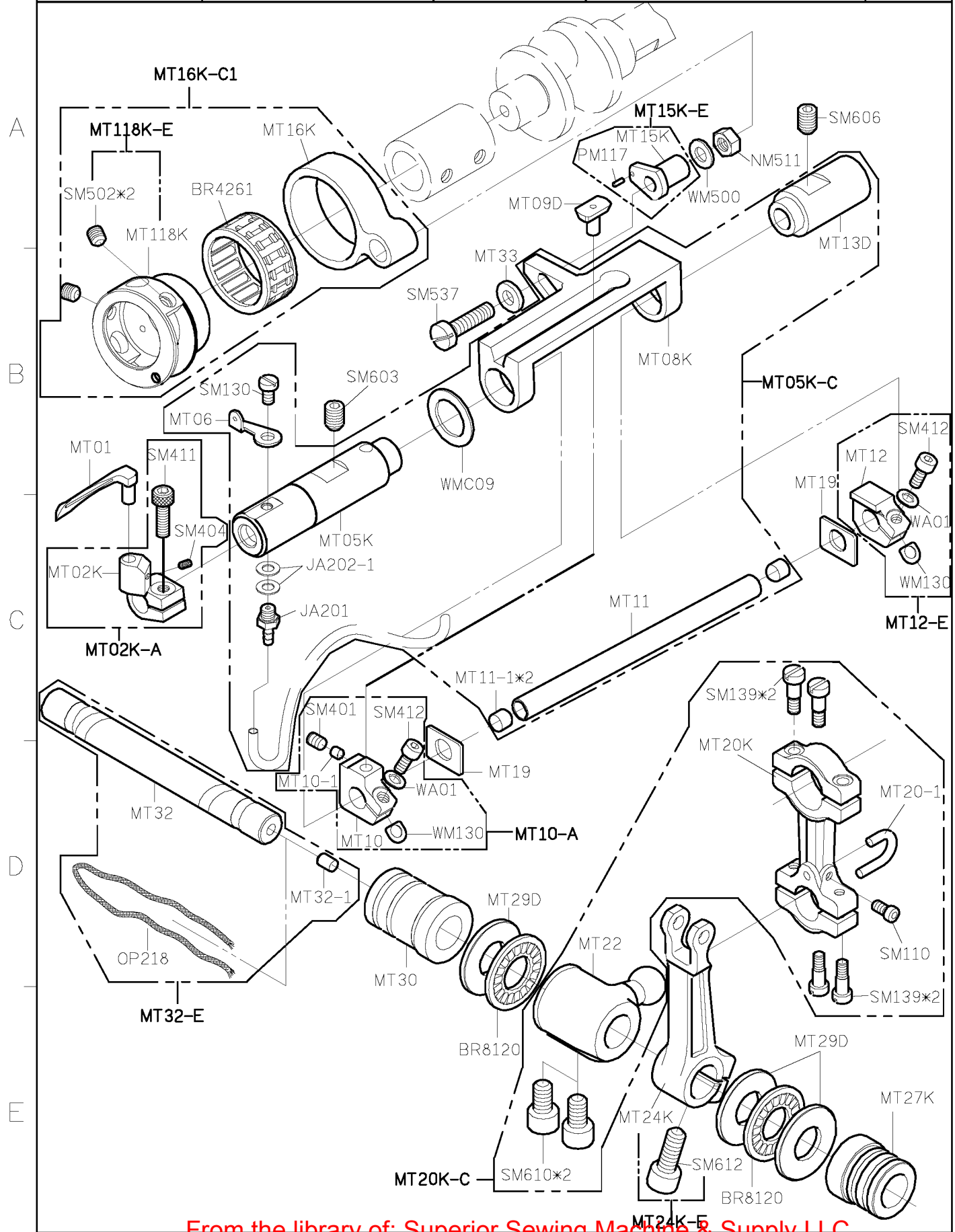
SIRUBA PARTS LIST	Series	Parts Group	Subclass / Remark	Page
	C007K/C007KD C858K/C858KD	MR-K	#: Use for C007KD/C858KD	1/1
			△: Use for CW	Date
			◎: Use for UT	2012/11/01
			☆: Use for C858K/C858KD	



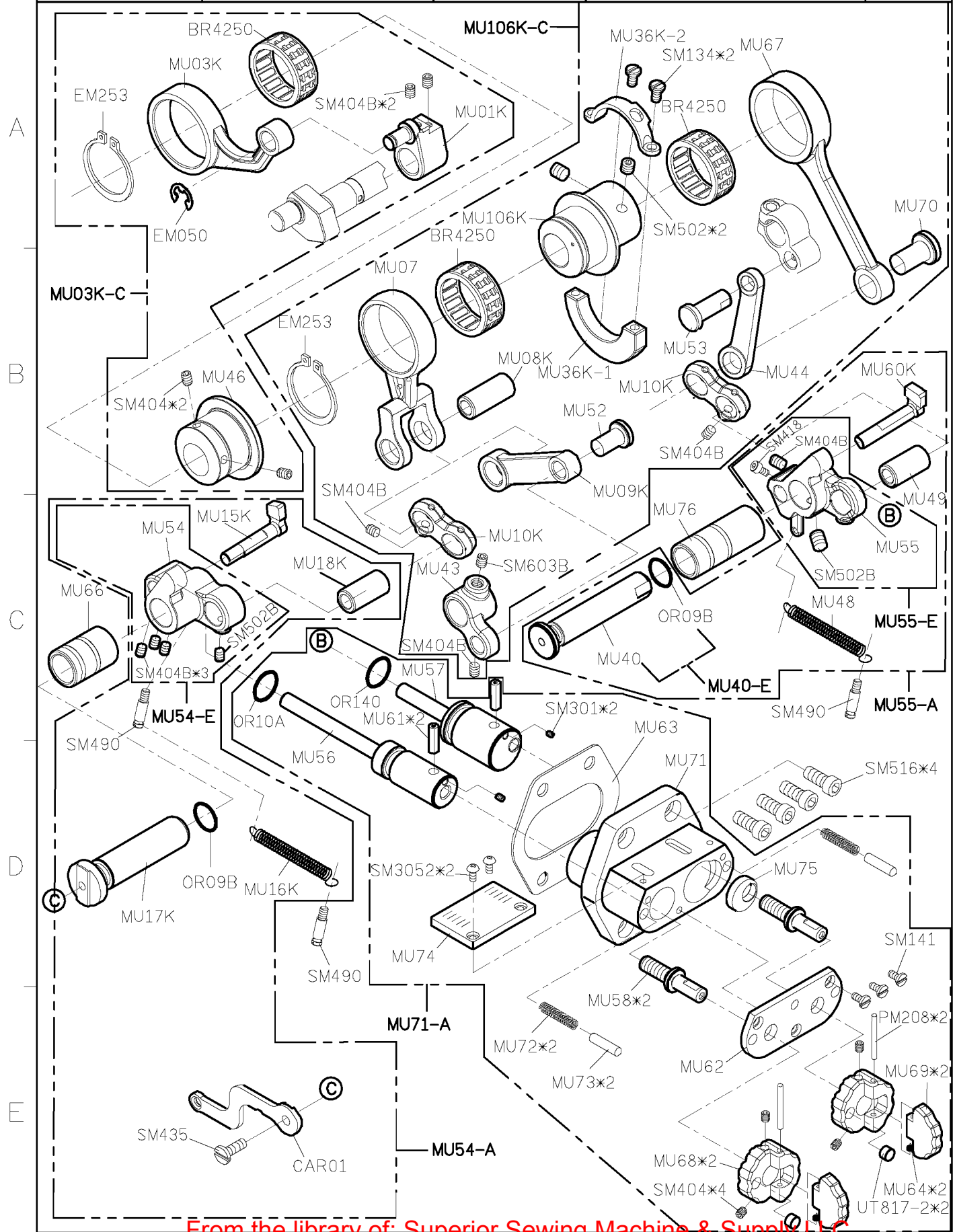
SIRUBA PARTS LIST	Series	Parts Group	Subclass / Remark	Page
	C007K/C007KD C858K/C858KD	MS-K	# : Use for C007KD/C858KD	1/1
				Date
				2012/11/01



SIRUBA PARTS LIST	Series	Parts Group	Subclass / Remark	Page
	C007K/C007KD	MT-K		1/1
	C858K/C858KD			Date
	2012/11/01			



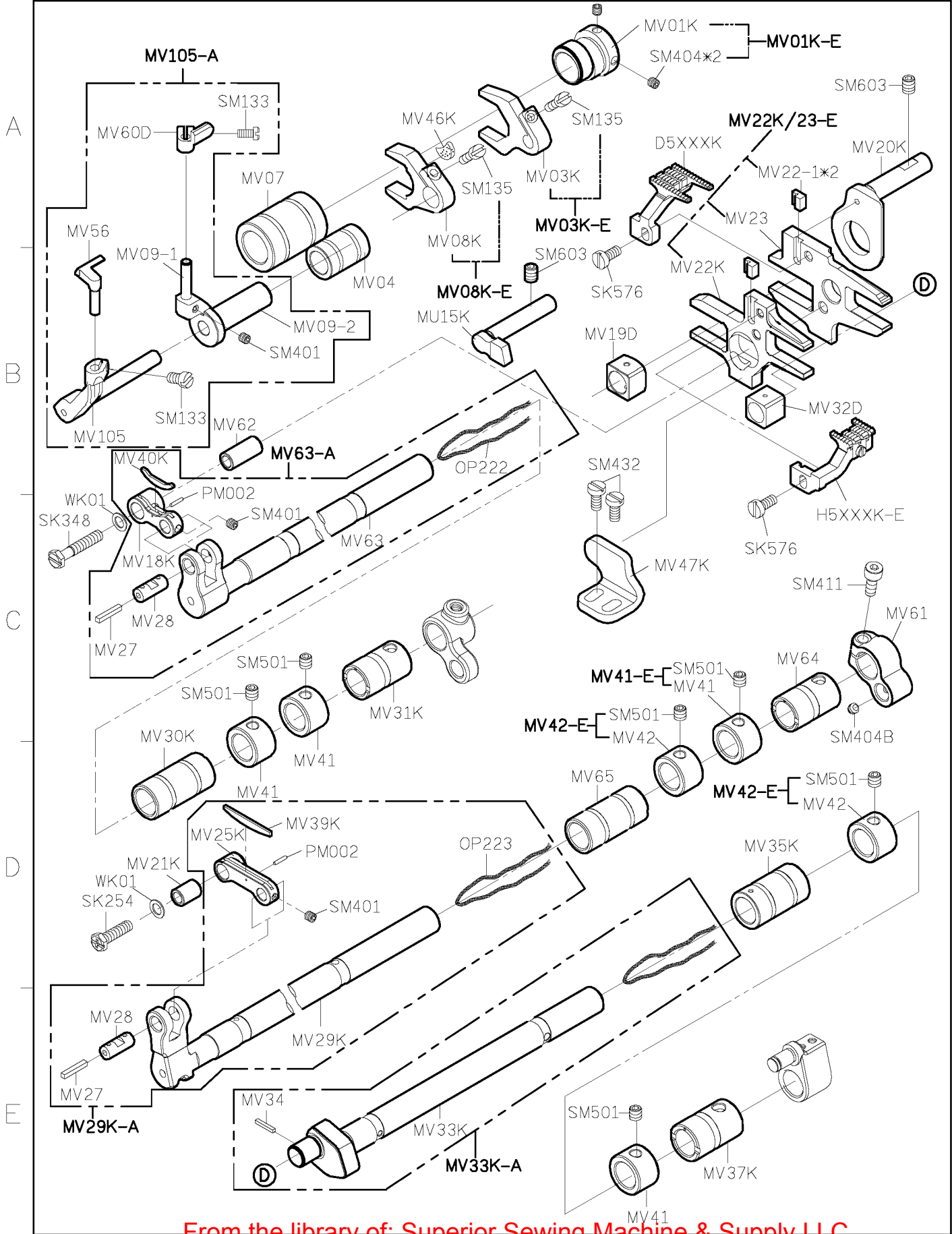
SIRUBA PARTS LIST	Series	Parts Group	Subclass / Remark	Page
	C007K/C007KD	MU-K		1/1
	C858K/C858KD			Date
				2012/11/01



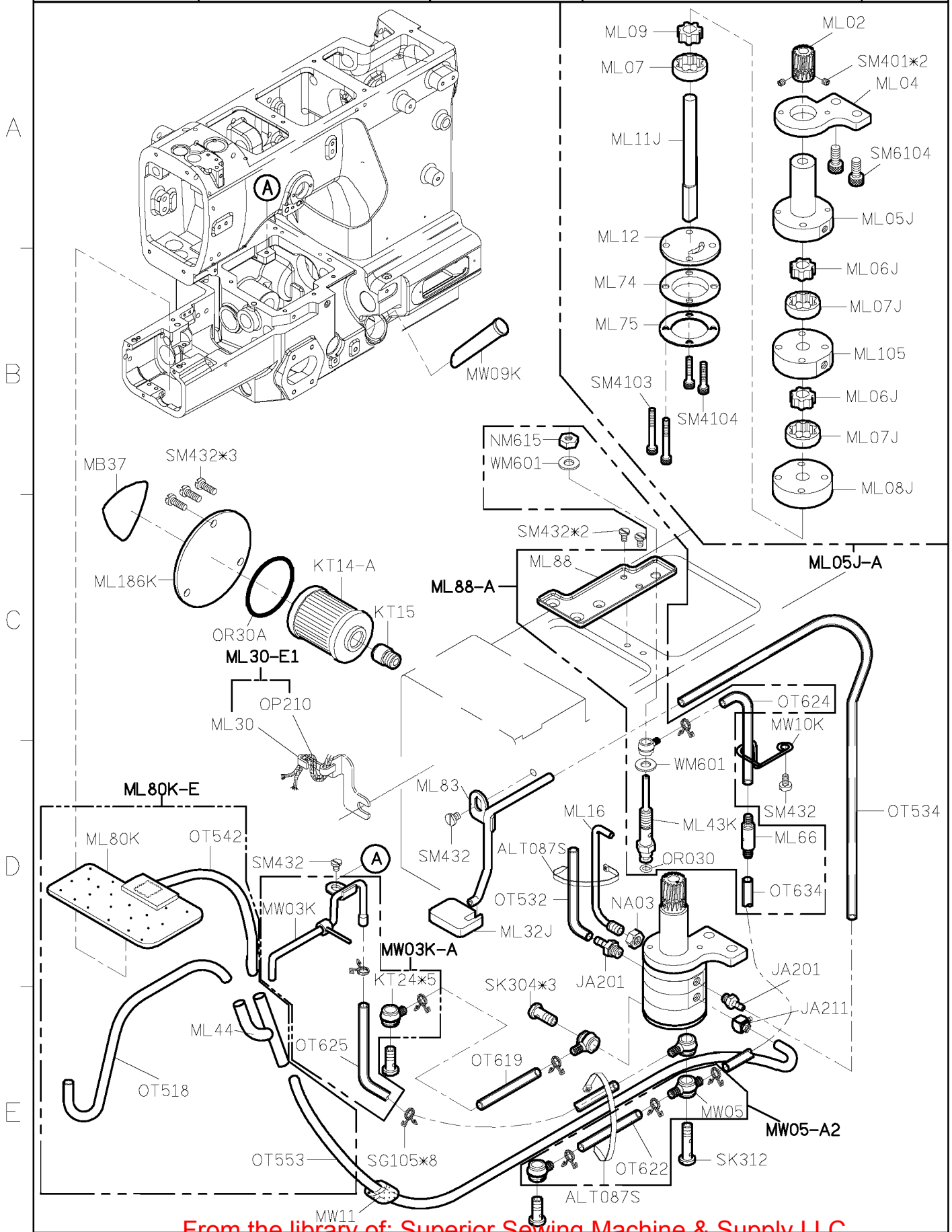
From the library of: Superior Sewing Machine & Supply LLC



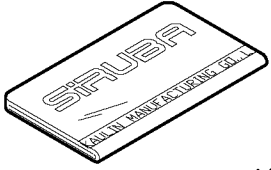

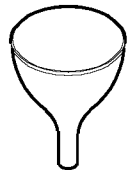
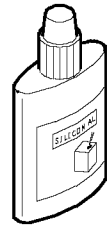
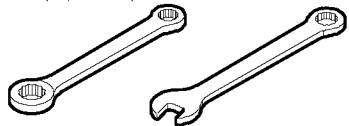
SIRUBA PARTS LIST	Series	Parts Group	Subclass / Remark	Page
	C007K/C007KD	MV-K		1/1
	C858K/C858KD			Date
				2012/11/01

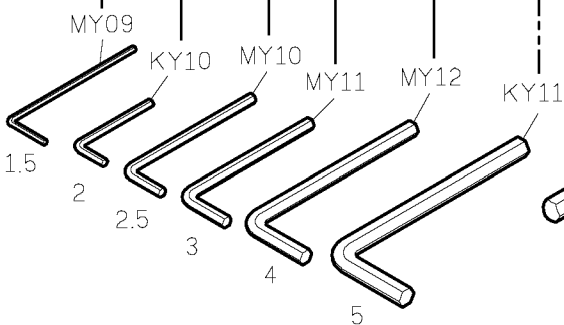
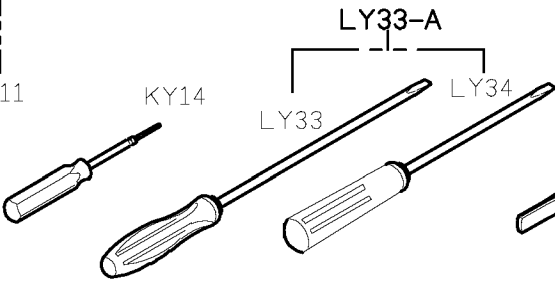


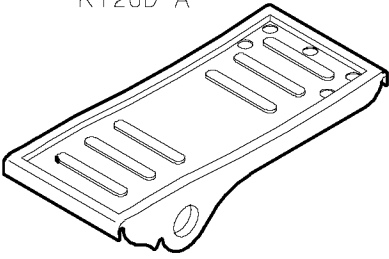

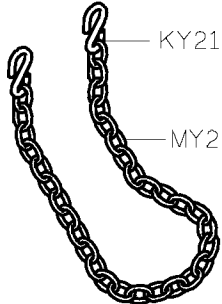


SIRUBA PARTS LIST	Series	Parts Group	Subclass / Remark	Page
	C007K/C007KD	MW-K		1/1
	C858K/C858KD			Date
	2012/11/01			

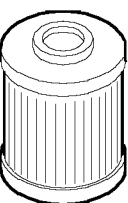
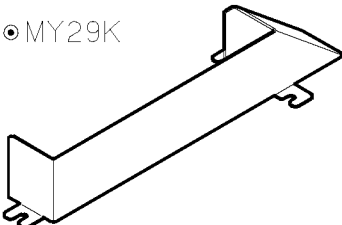








<b>SIRUBA</b> <b>PARTS LIST</b>	<b>Series</b>	<b>Parts Group</b>	<b>Subclass / Remark</b>	<b>Page</b>
	<b>C007K/C007KD</b>	<b>MY-K</b>	⊙ : Use for C007K/C858K	1/1
	<b>C858K/C858KD</b>		□ : Use for C007KD/C858KD	Date
				2012/11/01

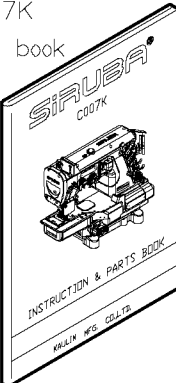
MY01  KY03  KY04  KY05-A  KY23-A  KY23(6/7mm) KY09

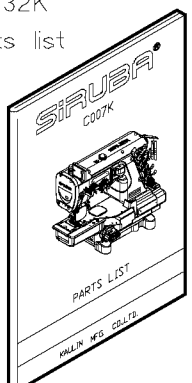
MY10-A  MY09 KY10 MY10 MY11 MY12 KY11 KY14 LY33-A  LY33 LY34 KY18

KY20D-A  針\*5  KY21-1 MY21  KY201  KZ03 

KT14-A  MY29K  ⊙SM886-A  SM886\*4 ⊙WM800\*4  WM810\*4 ⊙NM810\*4  SK391\*5

□SM886-A1  SM886\*4 ⊙WM800\*4  WM810\*4 ⊙NM810\*4  SK391\*2

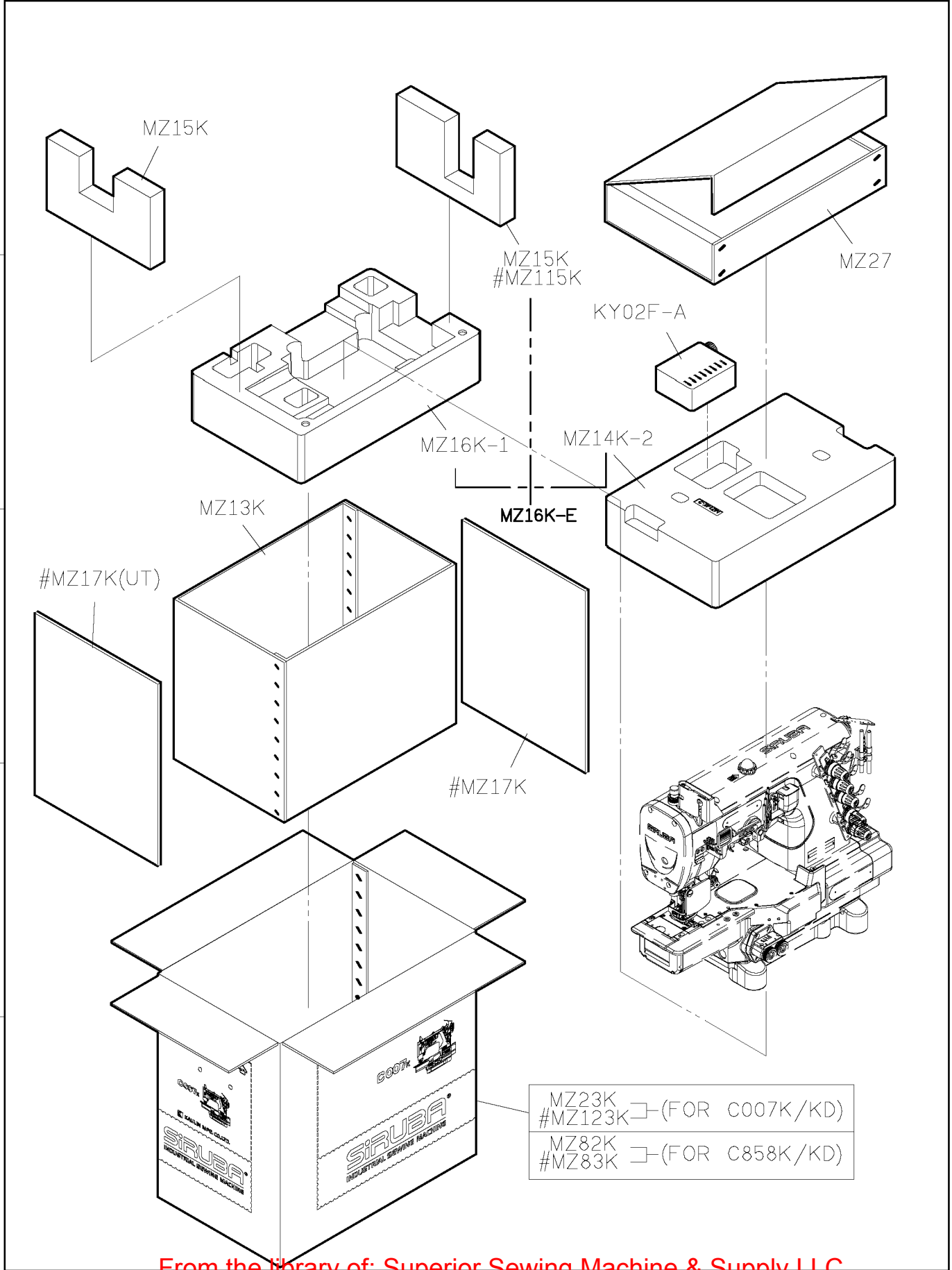
MY127K  Instruction book (使用説明書)

MY32K  Parts list (零件圖)

Parts list	
Basic mechanism	MY32K
Special mechanism	MY32K
UTP/UTQ	MY32K UT120K
Special machine type + UTP/UTQ	MY32K UT120K
UTR/UTS	MY32K UT240K
Special machine type + UTR/UTS	MY32K UT240K

SIRUBA PARTS LIST	Series	Parts Group	Subclass / Remark	Page
	C007K/C007KD	<b>MZ-K</b>	#: Use for C007KD/C858KD	1/1
	C858K/C858KD			Date
				2012/11/01

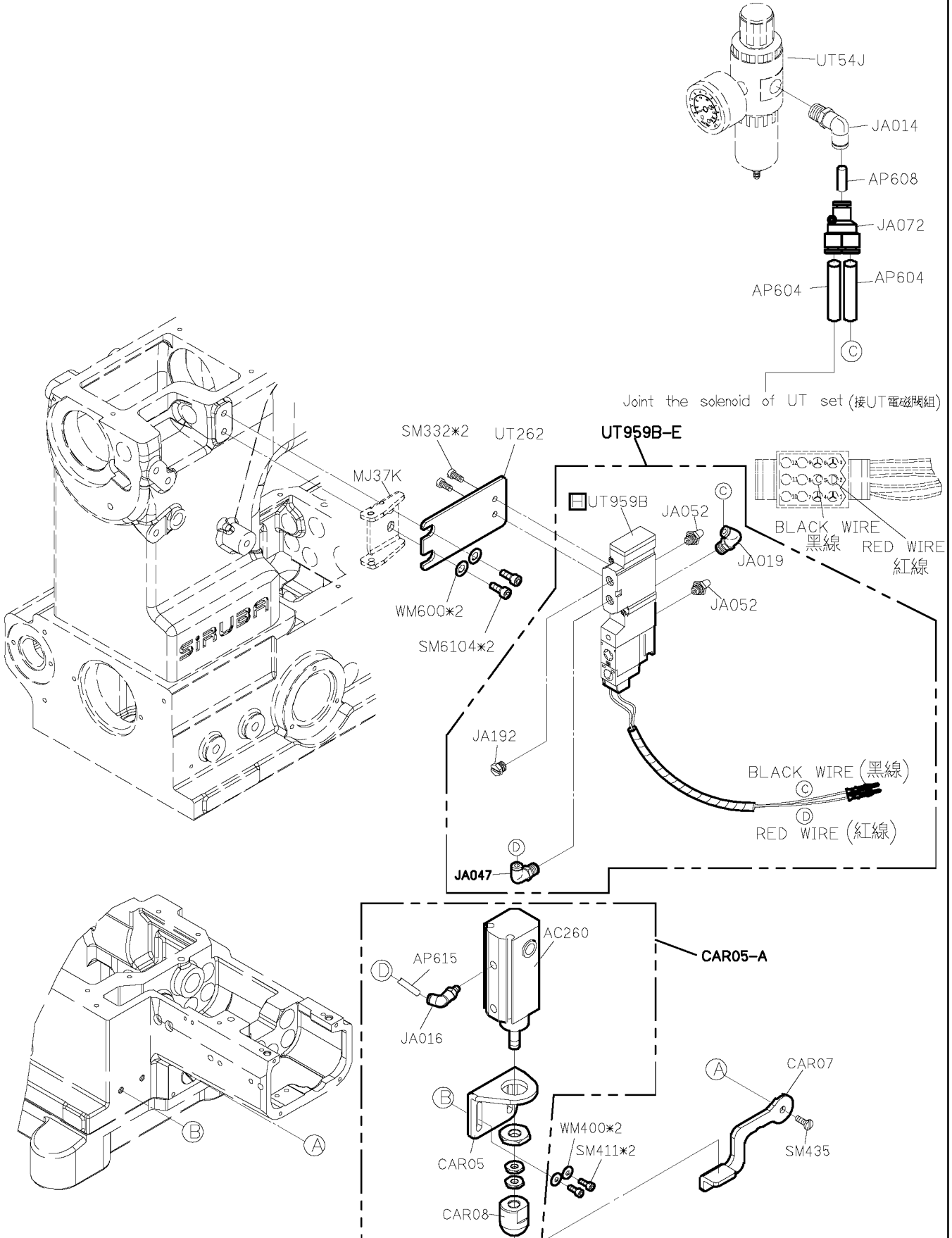
A  
B  
C  
D  
E





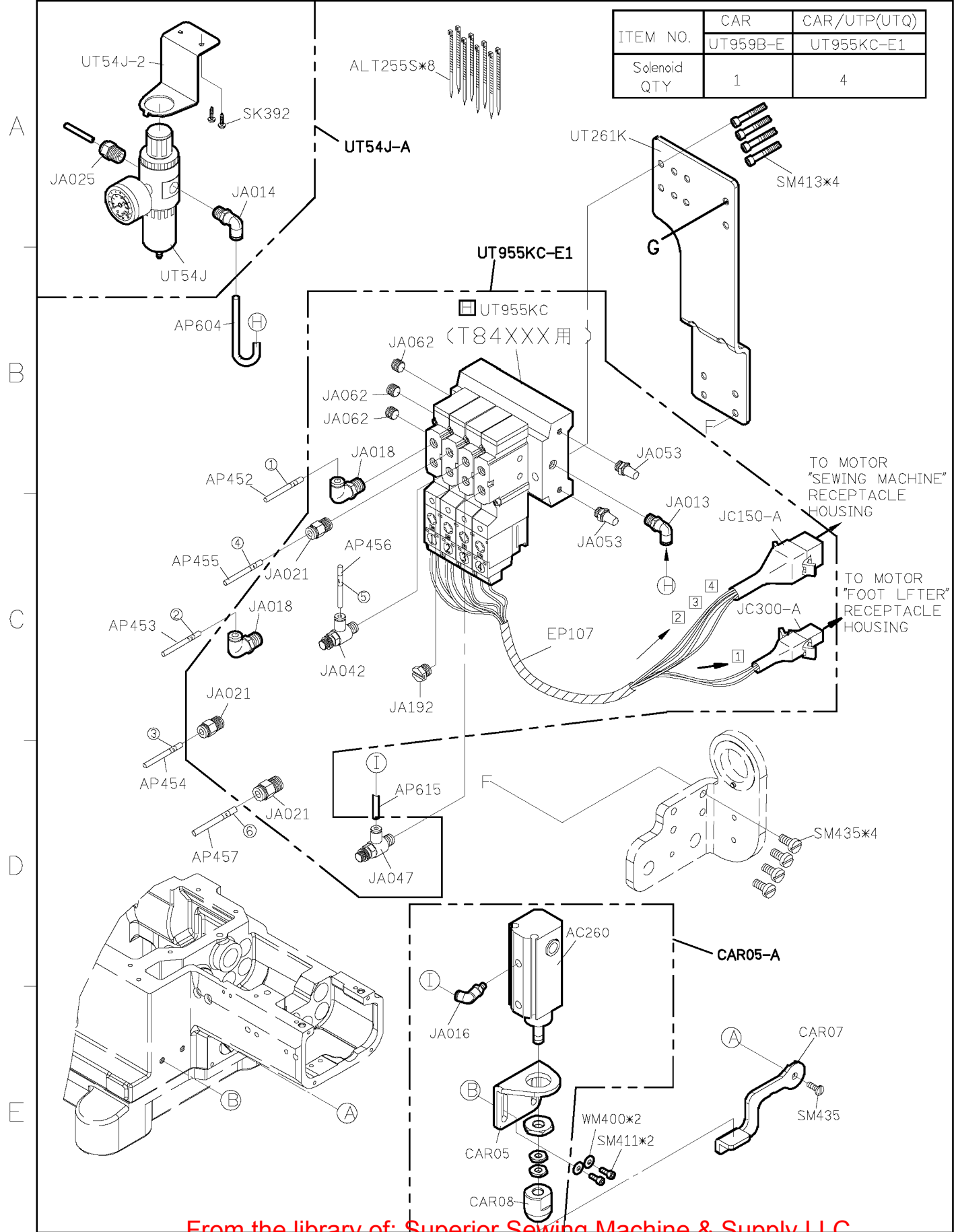
SIRUBA PARTS LIST	Series	Parts Group	Subclass Remark	Page
	C007K/C007KD C858K/C858KD	CAR	For C007K/KD/C858K/KD add SAR to the type UT ☐ : Use for H brand motor (HVP-20)	1/2
				Date
				2012/11/01

A  
B  
C  
D  
E



<b>SIRUBA</b> <b>PARTS LIST</b>	<b>Series</b>	<b>Parts Group</b>	<b>Subclass Remark</b>	<b>Page</b>
	C007K/C007KD C858K/C858KD	<b>CAR</b>	For C007K/KD/C858K/KD-UT ☐ : Use for H brand motor (HVP-20)	<b>2/2</b>
				<b>Date</b>
				<b>2012/11/01</b>

ITEM NO.	CAR	CAR/UTP(UTQ)
	UT959B-E	UT955KC-E1
Solenoid QTY	1	4



SIRUBA PARTS LIST	Series	Parts Group	Subclass / Remark	Page
	C007K/C007KD	CC-K		1/1
	C858K/C858KD			Date
				2012/11/01

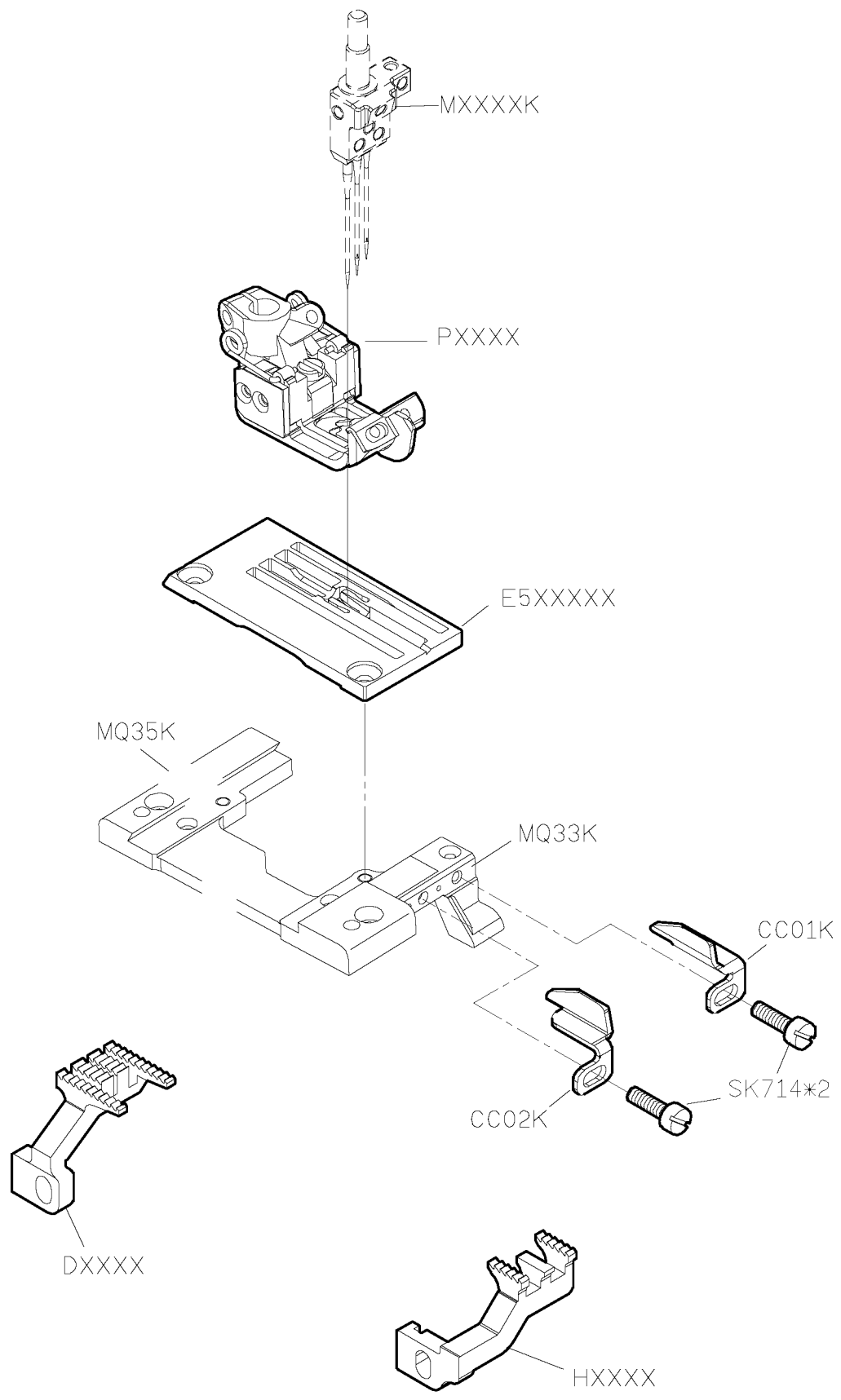
A

B

C

D

E



SIRUBA PARTS LIST	Series	Parts Group	Subclass / Remark	Page
	C007K/C007KD	CE-K		1/1
	C858K/C858KD			Date
				2012/11/01

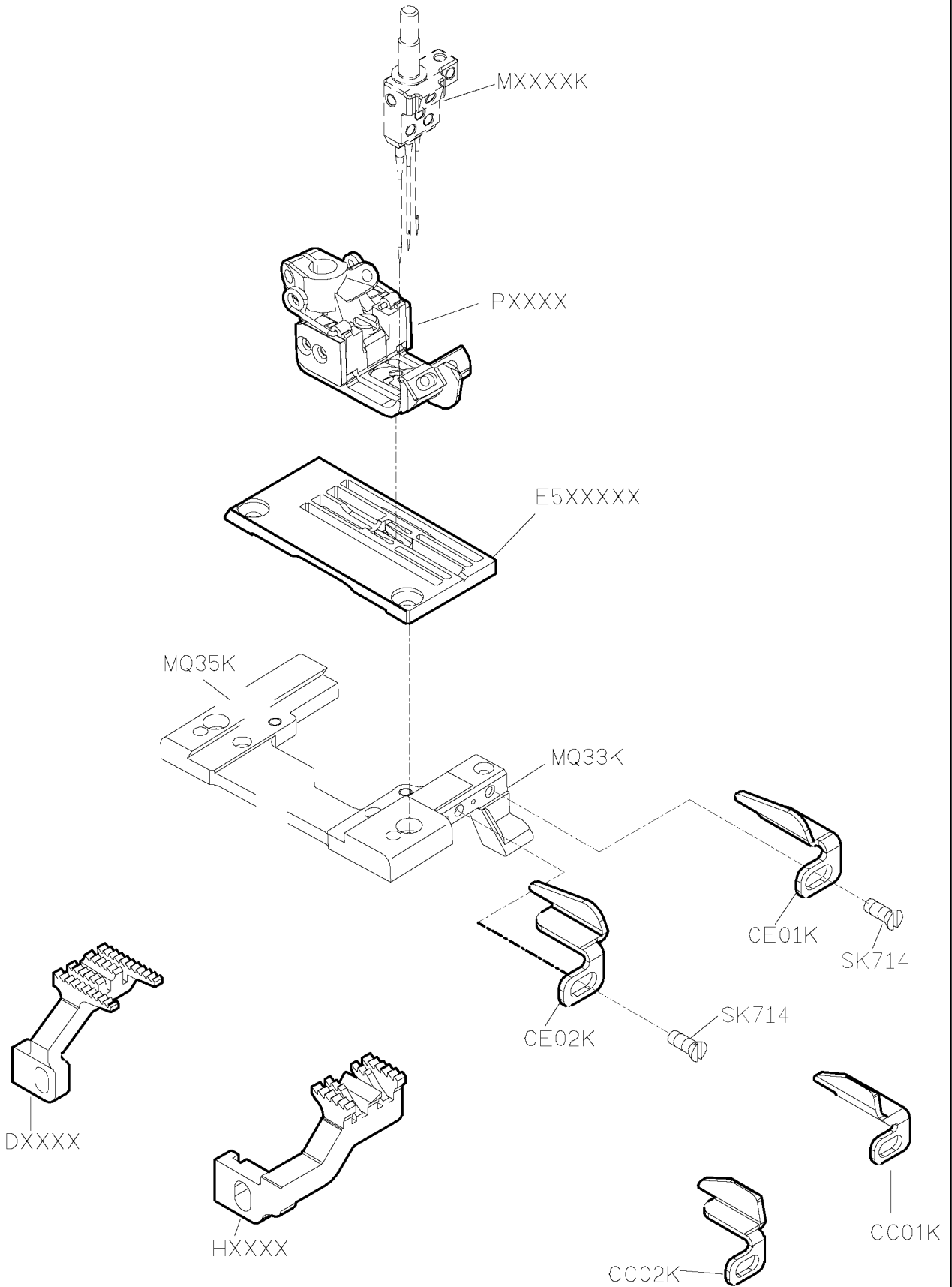
A

B

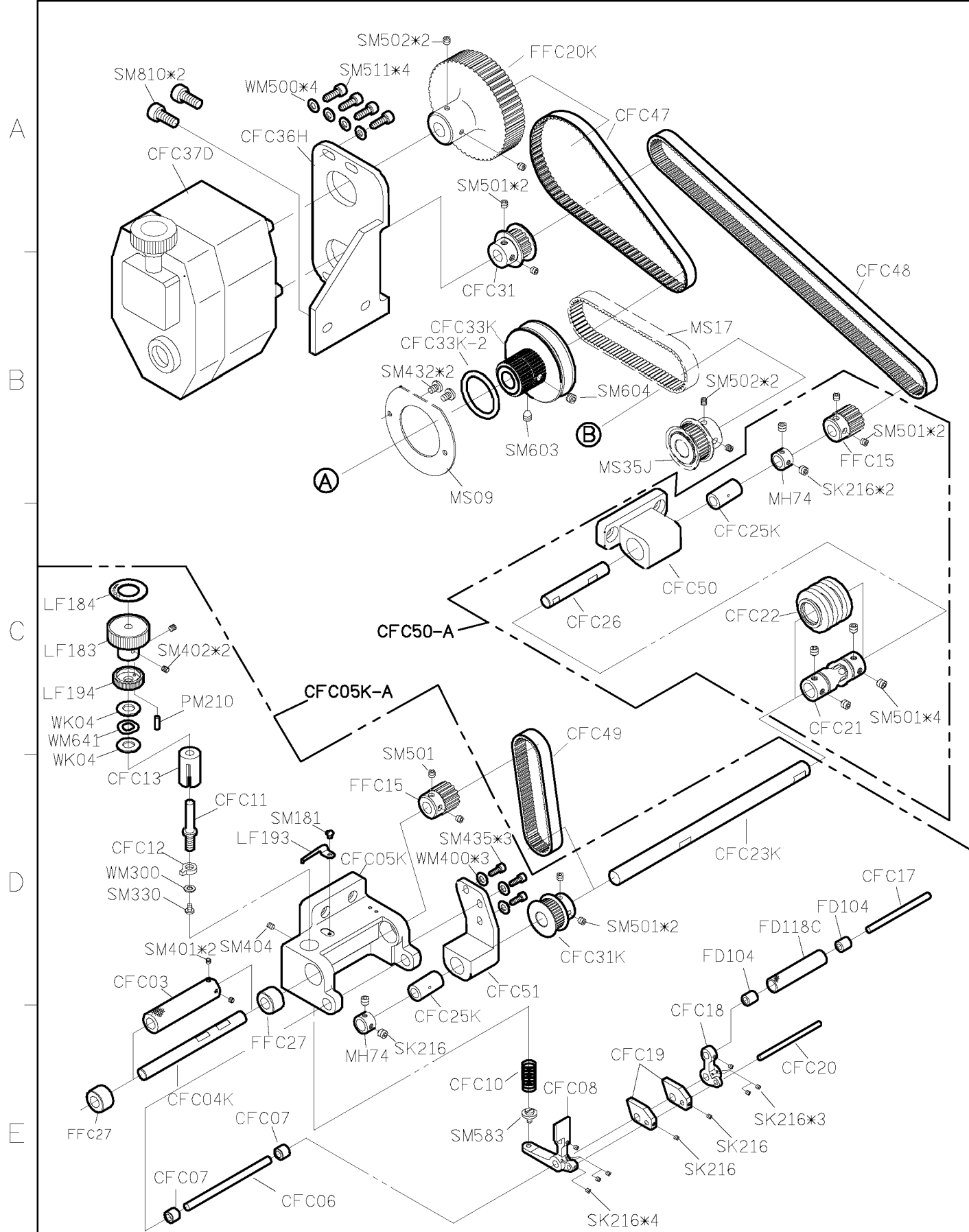
C

D

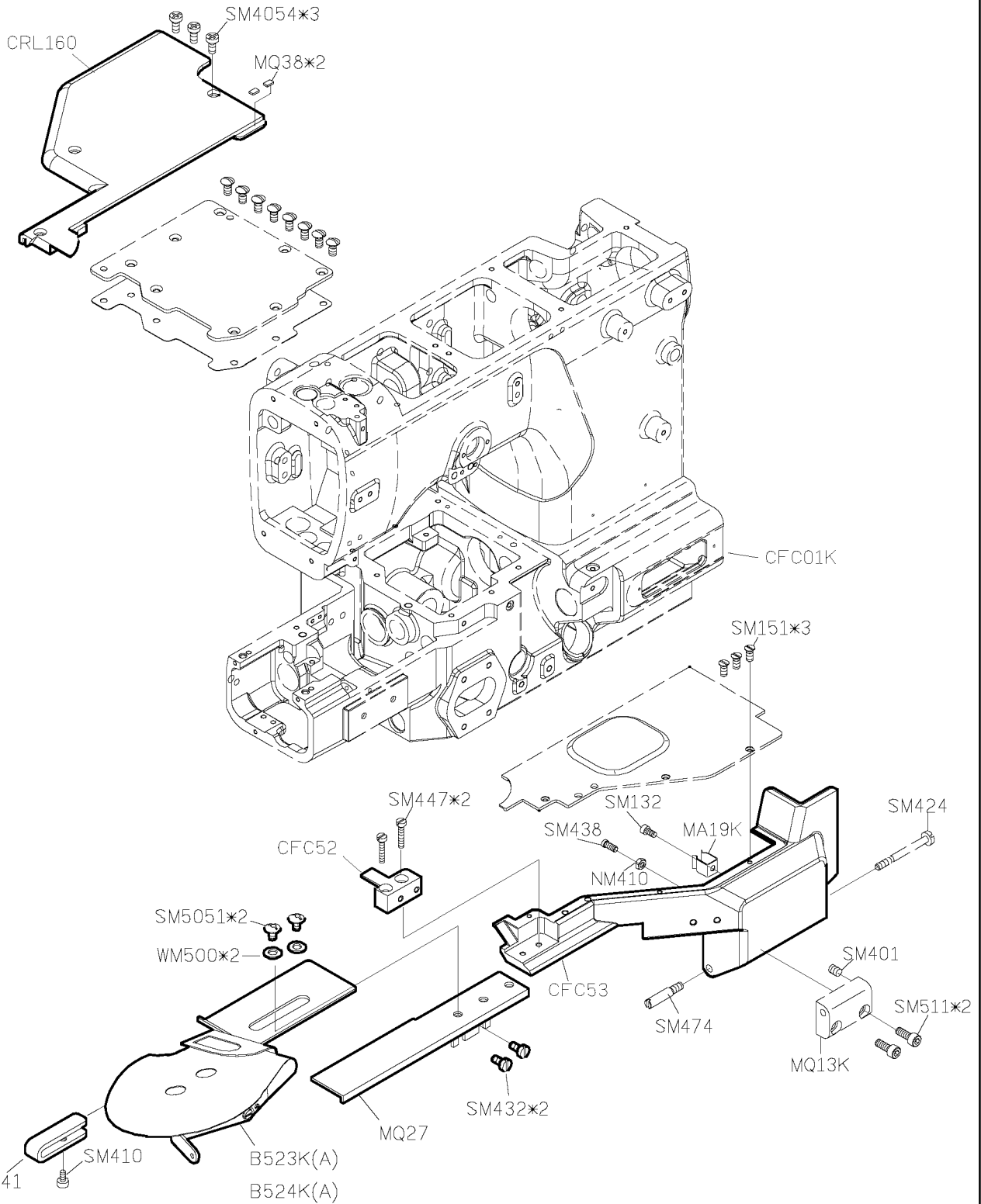
E



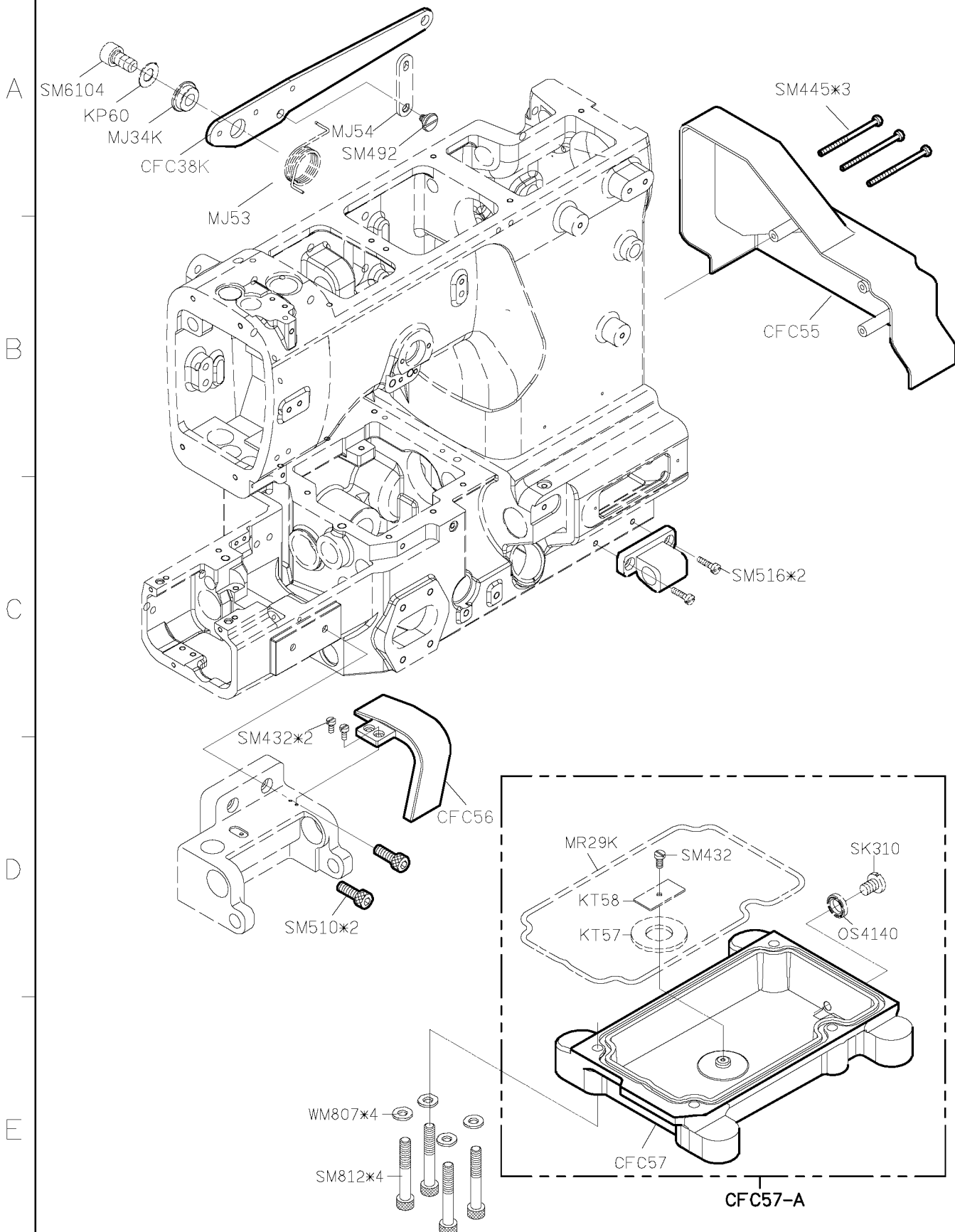
SIRUBA PARTS LIST	Series	Parts Group	Subclass / Remark	Page
	C007K/C007KD	CFC-K	For C007K/C858K	1/4
	C858K/C858KD			Date
	2012/11/01			



SIRUBA PARTS LIST	Series	Parts Group	Subclass / Remark	Page
	C007K/C007KD	CFC-K	For C007K/C858K	2/4
	C858K/C858KD			Date
	2012/11/01			

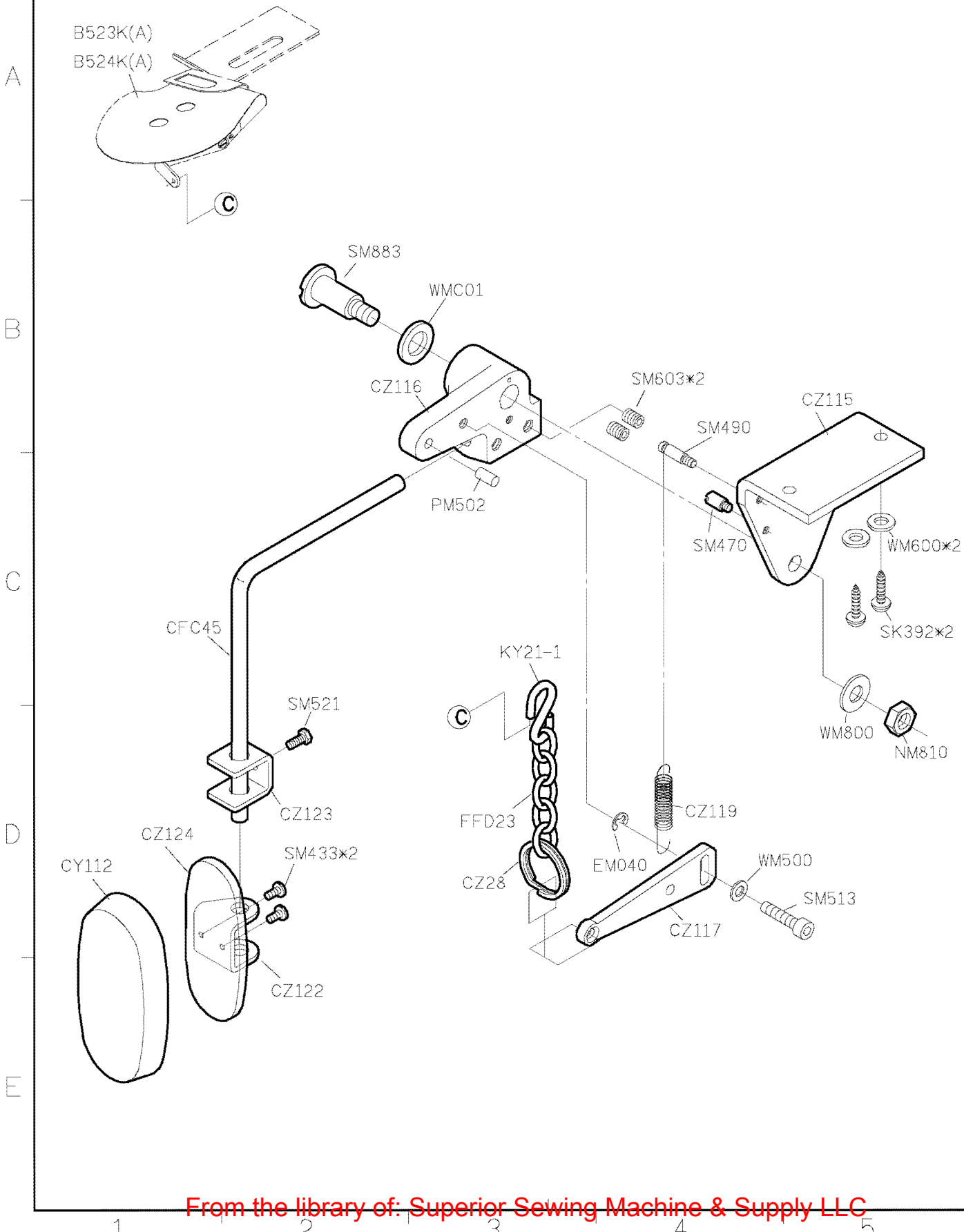


SIRUBA PARTS LIST	Series	Parts Group	Subclass / Remark	Page
	C007K/C007KD	CFC-K	For C007K/C858K	3/4
	C858K/C858KD			Date
	2012/11/01			



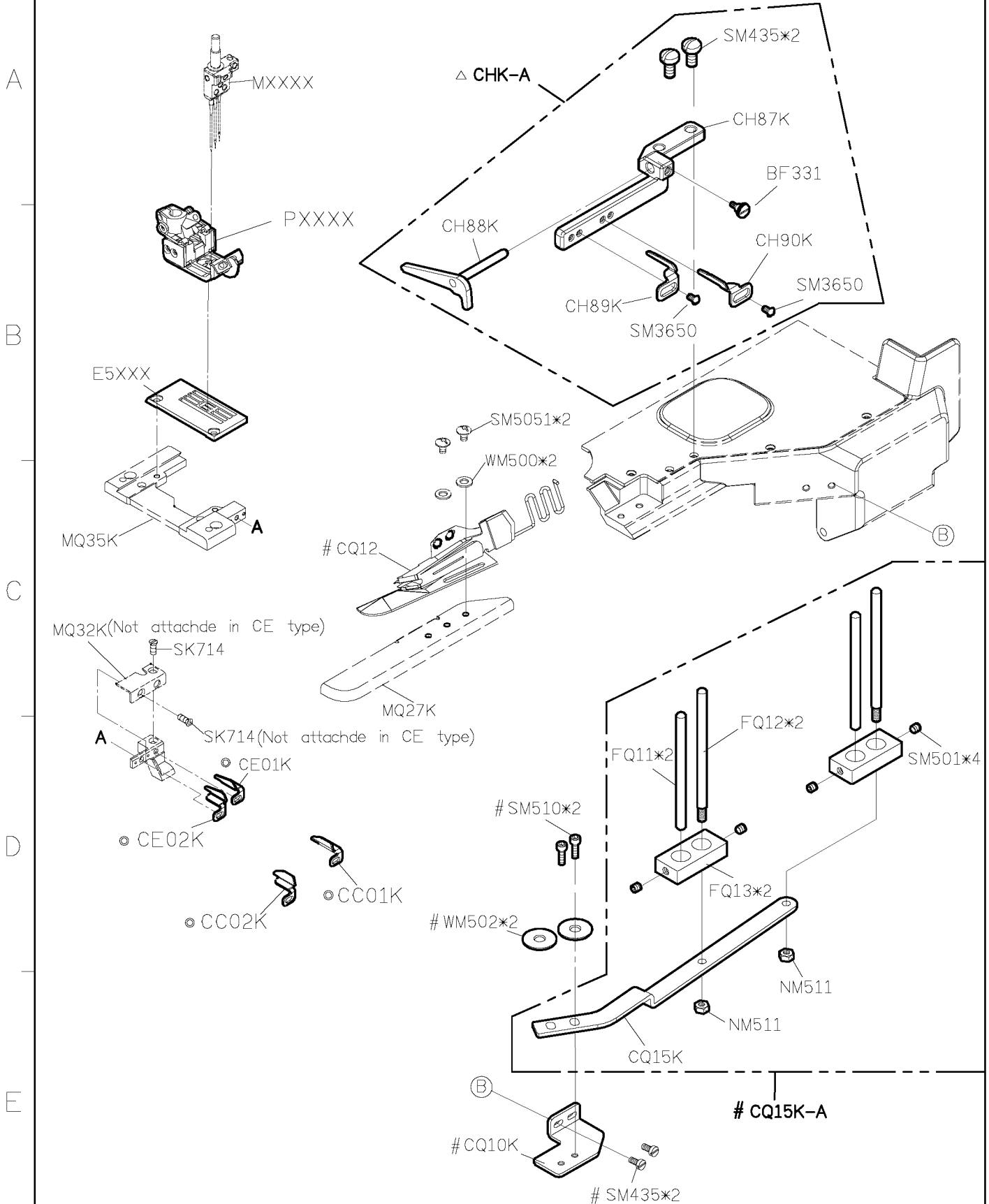


<b>SIRUBA</b>  <b>PARTS LIST</b>	Series	Parts Group	Subclass / Remark	Page
	C007K/C007KD	<b>CFC-K</b>	For C007K/C858K	4/4
	C858K/C858KD			Date
				2012/11/01

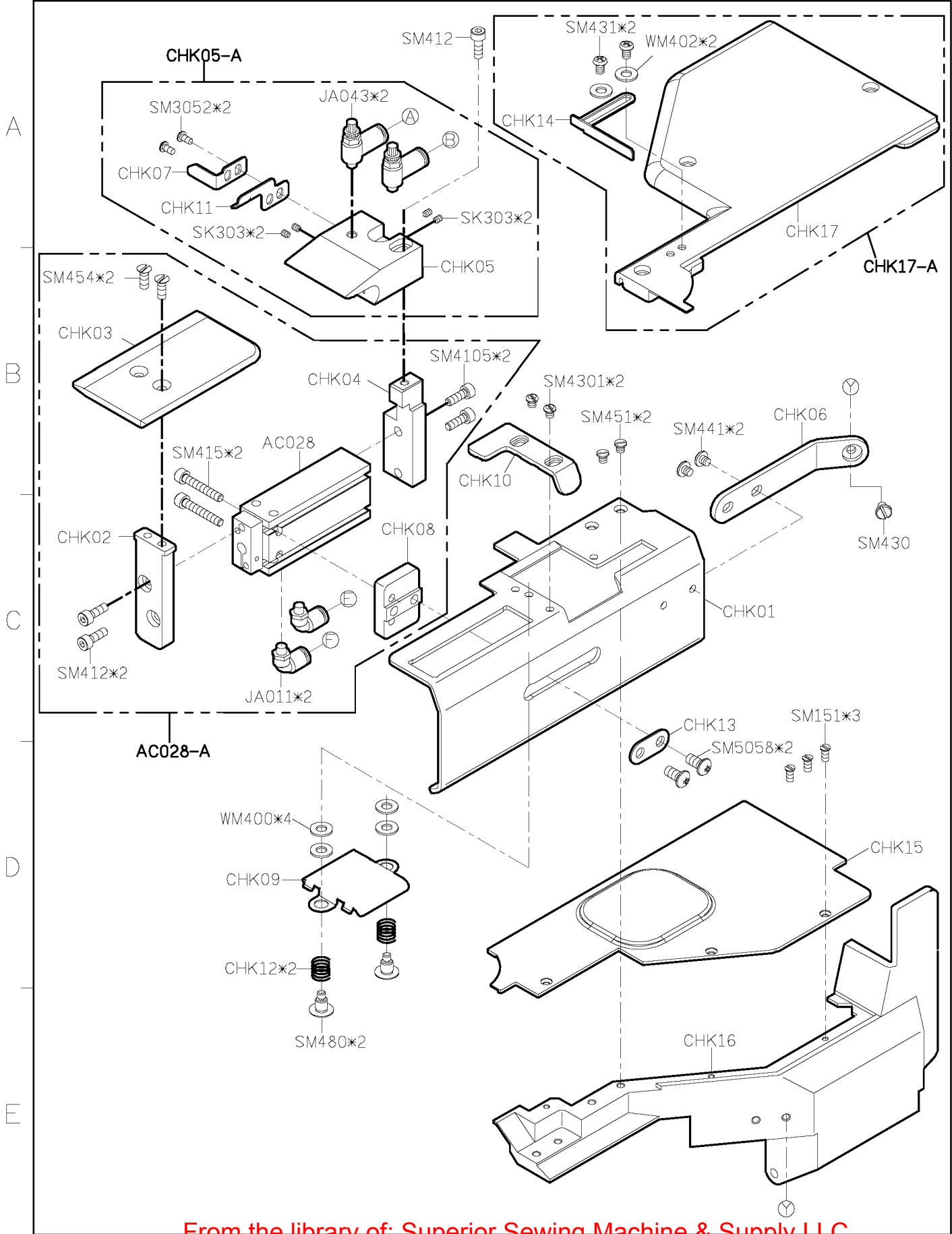




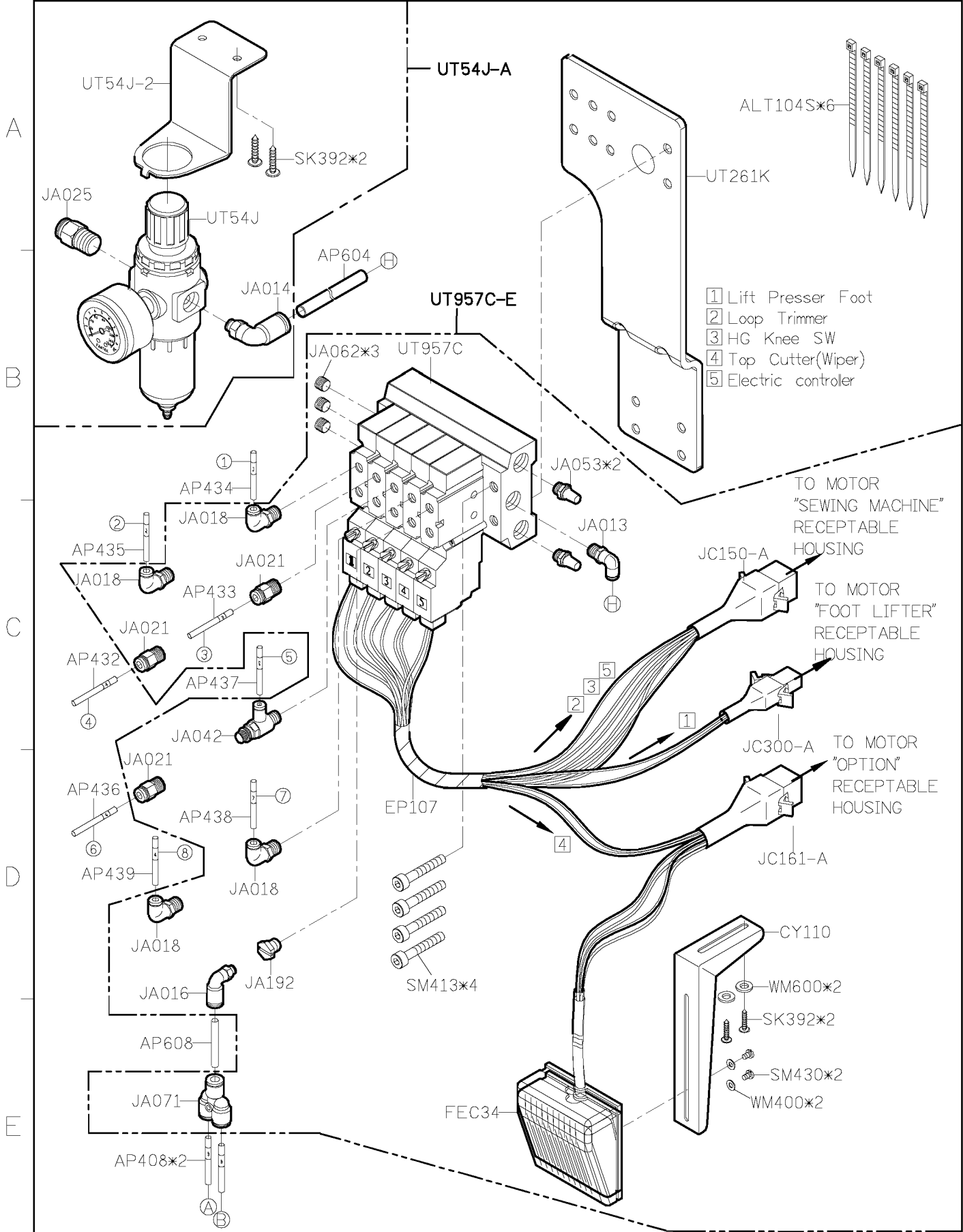
SIRUBA PARTS LIST	Series	Parts Group	Subclass / Remark	Page
	C007K/C007KD C858K/C858KD	CH-3M	⊙ : Use for Three in one CE # : Use for Three in one CQ △ : Use for Three in one CH	1/1
				Date 2012/11/01



SIRUBA PARTS LIST	Series	Parts Group	Subclass / Remark	Page
	C007K/C007KD	CHK-K		1/2
	C858K/C858KD			Date
			2012/11/01	

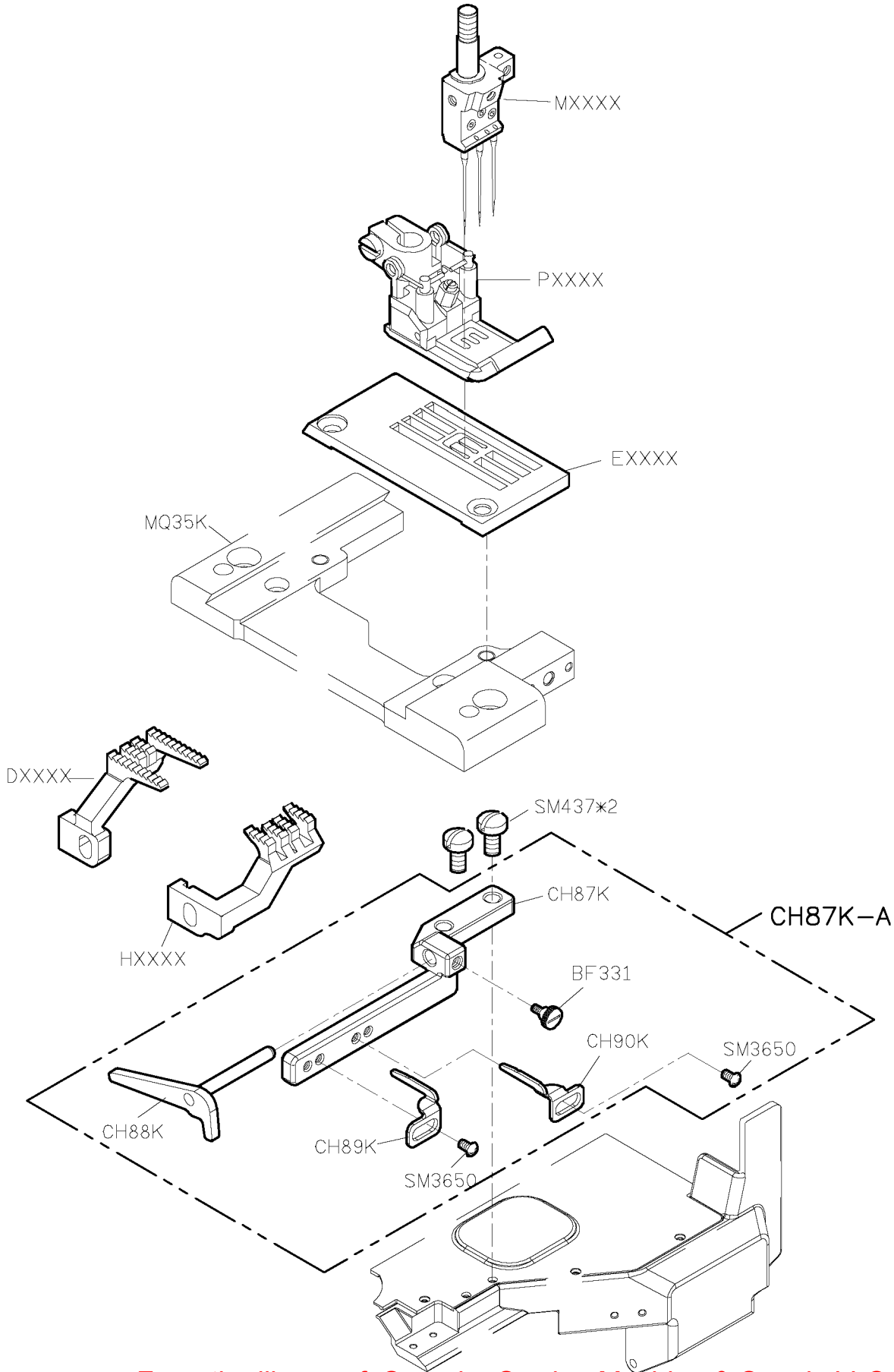


SIRUBA PARTS LIST	Series	Parts Group	Subclass / Remark	Page
	C007K/C007KD	CHK-K		2/2
	C858K/C858KD			Date
				2012/11/01

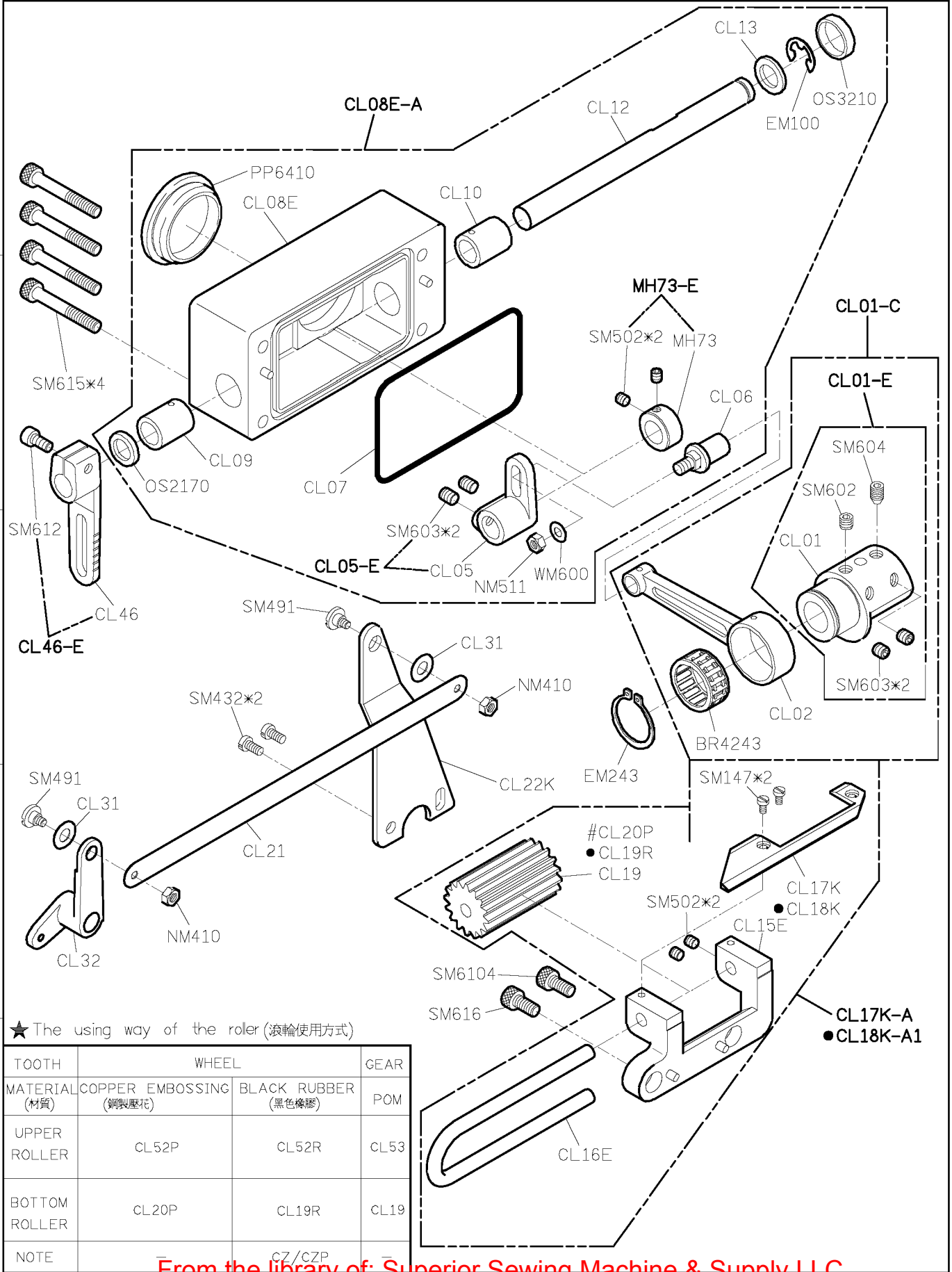


SIRUBA PARTS LIST	Series	Parts Group	Subclass / Remark	Page
	C007K/C007KD	CH-K		1/1
	C858K/C858KD			Date
				2012/11/01

A  
B  
C  
D  
E



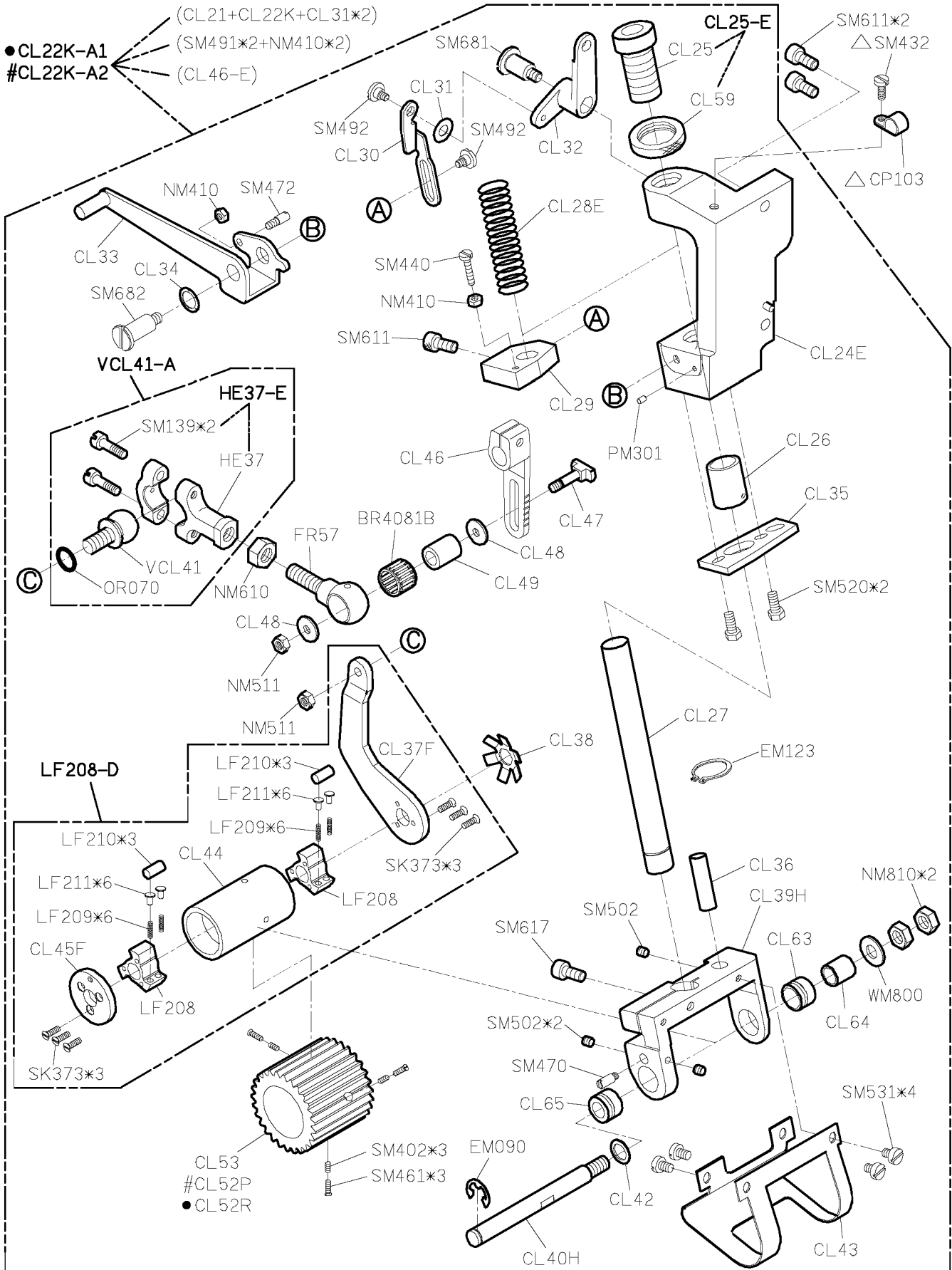
<b>SIRUBA</b> <b>PARTS LIST</b>	<b>Series</b>	<b>Parts Group</b>	<b>Subclass / Remark</b>	<b>Page</b>
	<b>C007K/C007KD</b>	<b>CL-K</b>	● : Use for CLA # : Use for allocation	<b>1/2</b>
	<b>C858K/C858KD</b>			<b>Date</b>
				<b>2012/11/01</b>



★ The using way of the roler (滾輪使用方式)

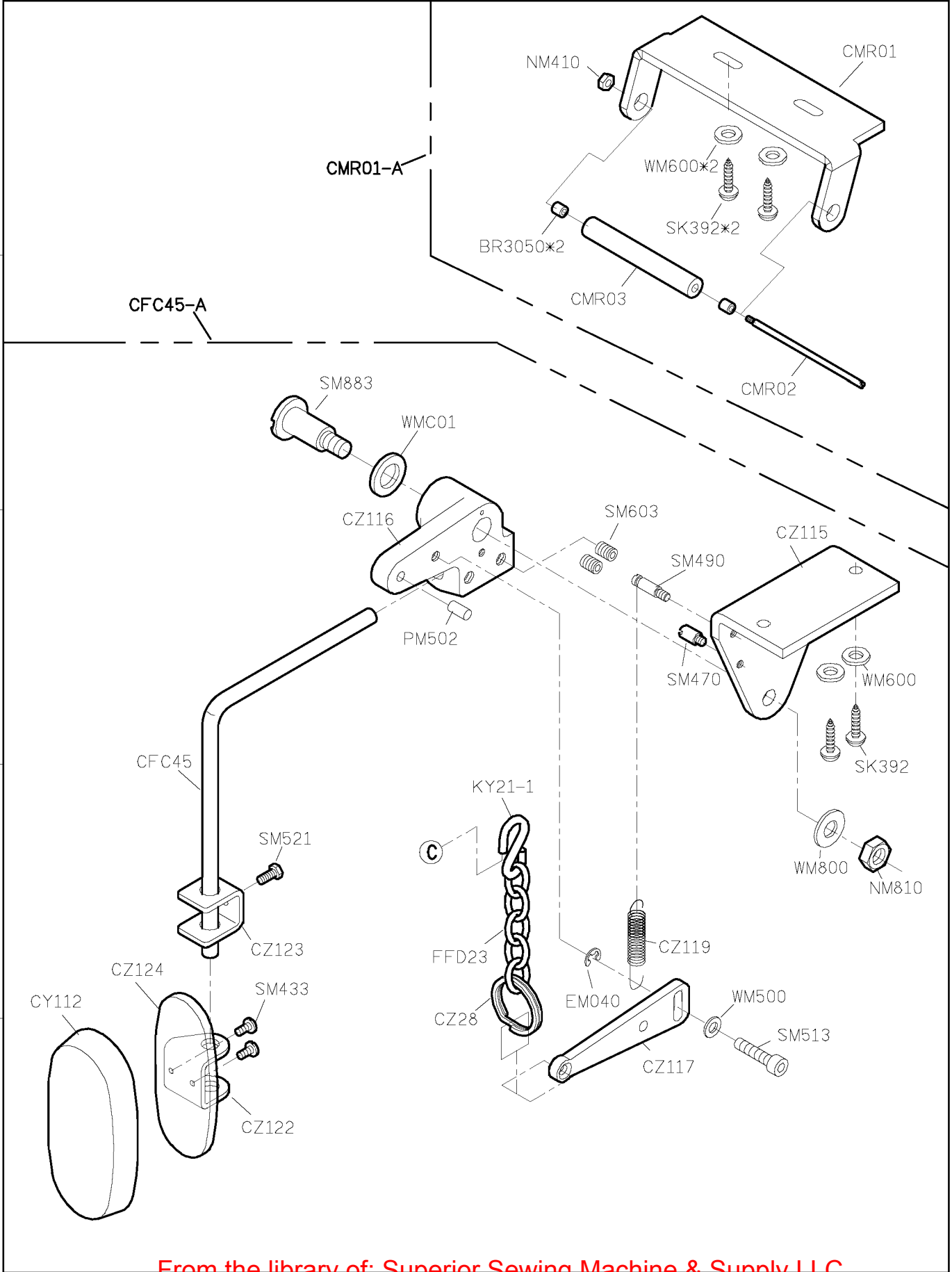
TOOTH	WHEEL		GEAR
MATERIAL	COPPER EMBOSING (銅製壓花)	BLACK RUBBER (黑色橡膠)	POM
UPPER ROLLER	CL52P	CL52R	CL53
BOTTOM ROLLER	CL20P	CL19R	CL19
NOTE		CZ/CZP	

SIRUBA PARTS LIST	Series	Parts Group	Subclass / Remark	Page
	C007K/C007KD C858K/C858KD	CL-K	● : Use for CLA	2/2
			△ : Use for UTP/UTQ	Date
			# : Use for allocation	2012/11/01



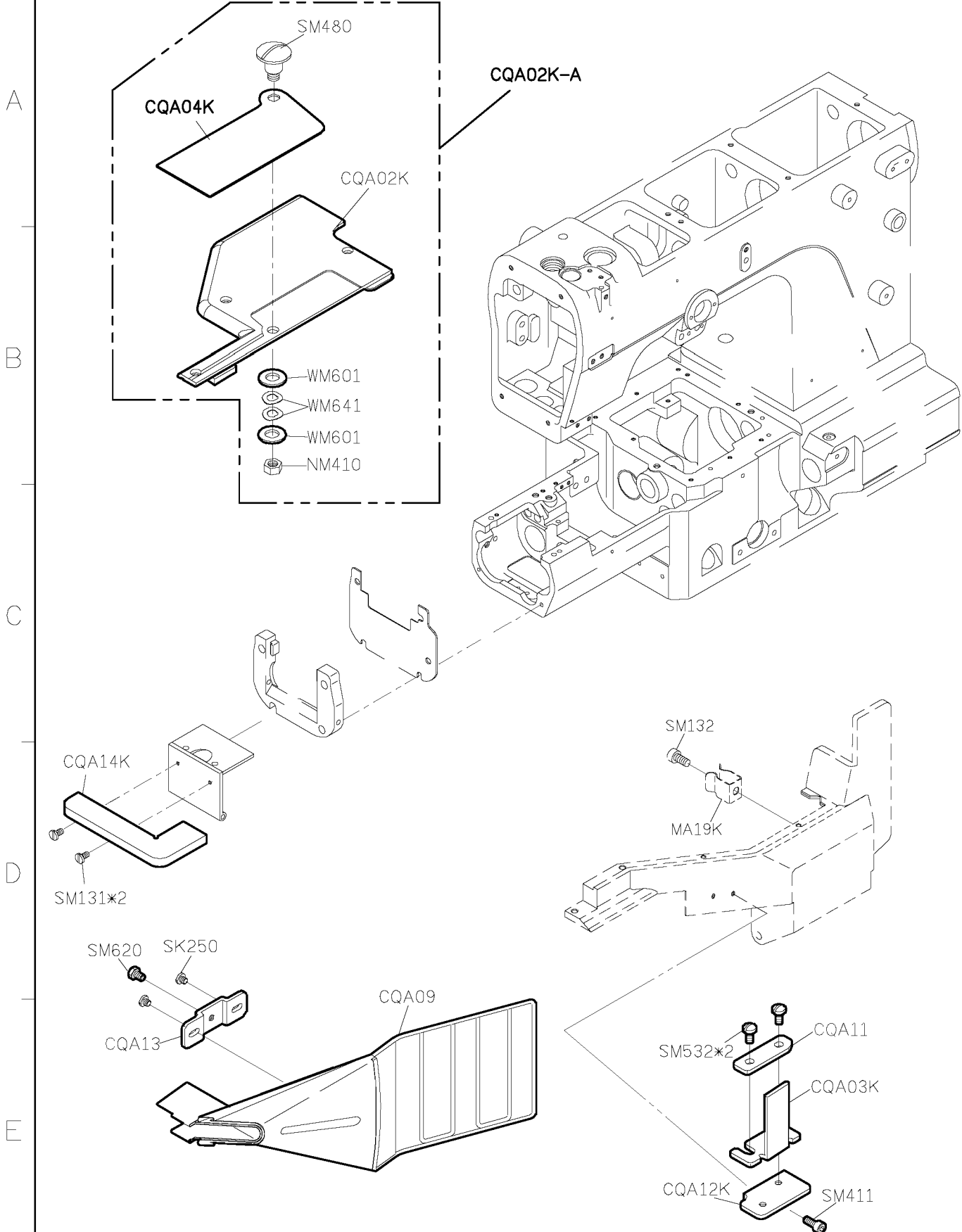
SIRUBA PARTS LIST	Series	Parts Group	Subclass / Remark	Page
	C007K/C007KD	CMR-K		1/1
	C858K/C858KD			Date
	S007K/S007KD			2012/11/01

A  
B  
C  
D  
E





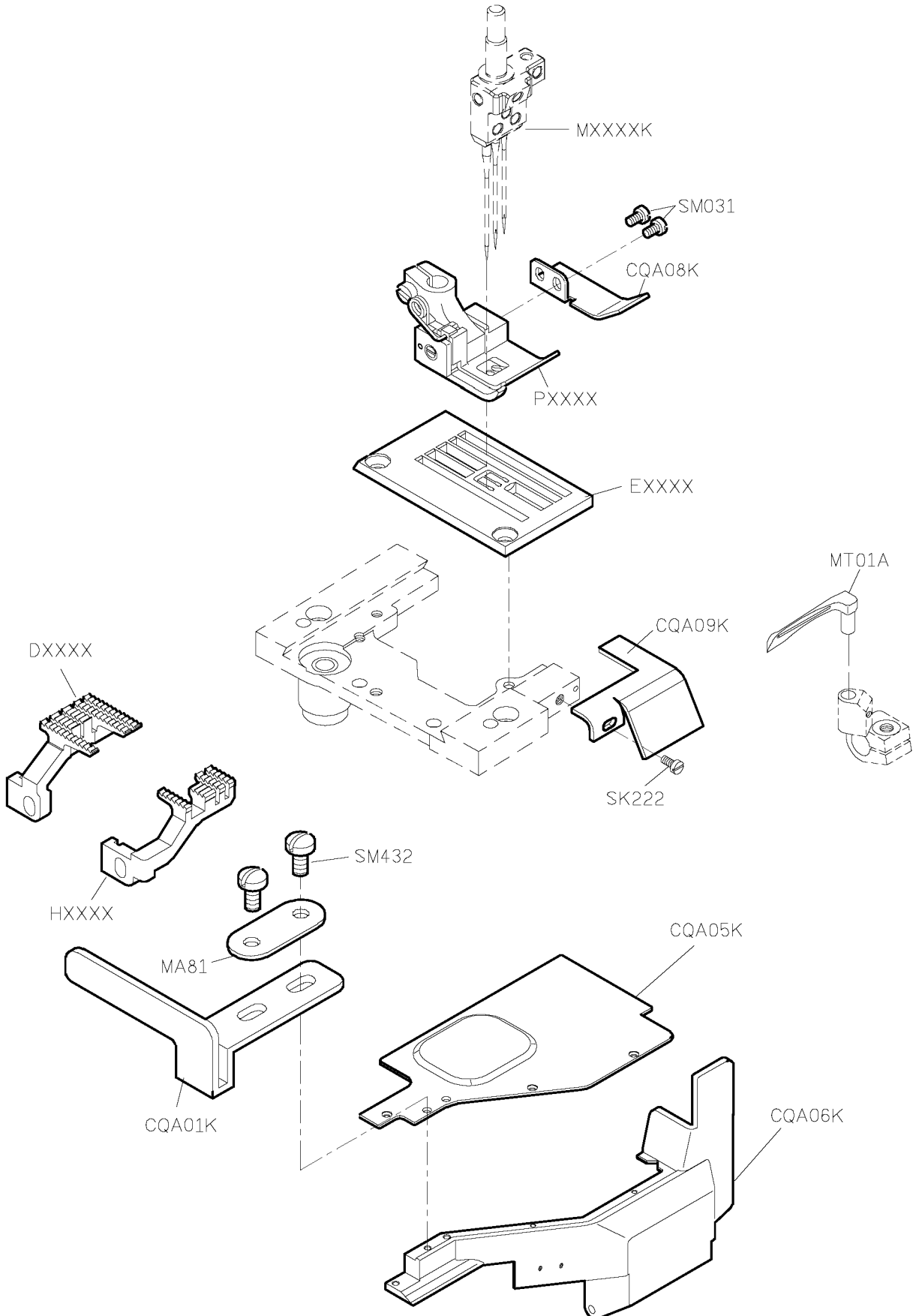
SIRUBA PARTS LIST	Series	Parts Group	Subclass / Remark	Page
	C007K/C007KD C858K/C858KD	CQA-K		1/2
				Date
				2012/11/01





SIRUBA PARTS LIST	Series	Parts Group	Subclass / Remark	Page
	C007K/C007KD	CQA-K		2/2
	C858K/C858KD			Date
				2012/11/01

A  
B  
C  
D  
E



SIRUBA PARTS LIST	Series	Parts Group	Subclass / Remark	Page
	C007K/C007KD	CQ-K		1/1
	C858K/C858KD			Date 2012/11/01

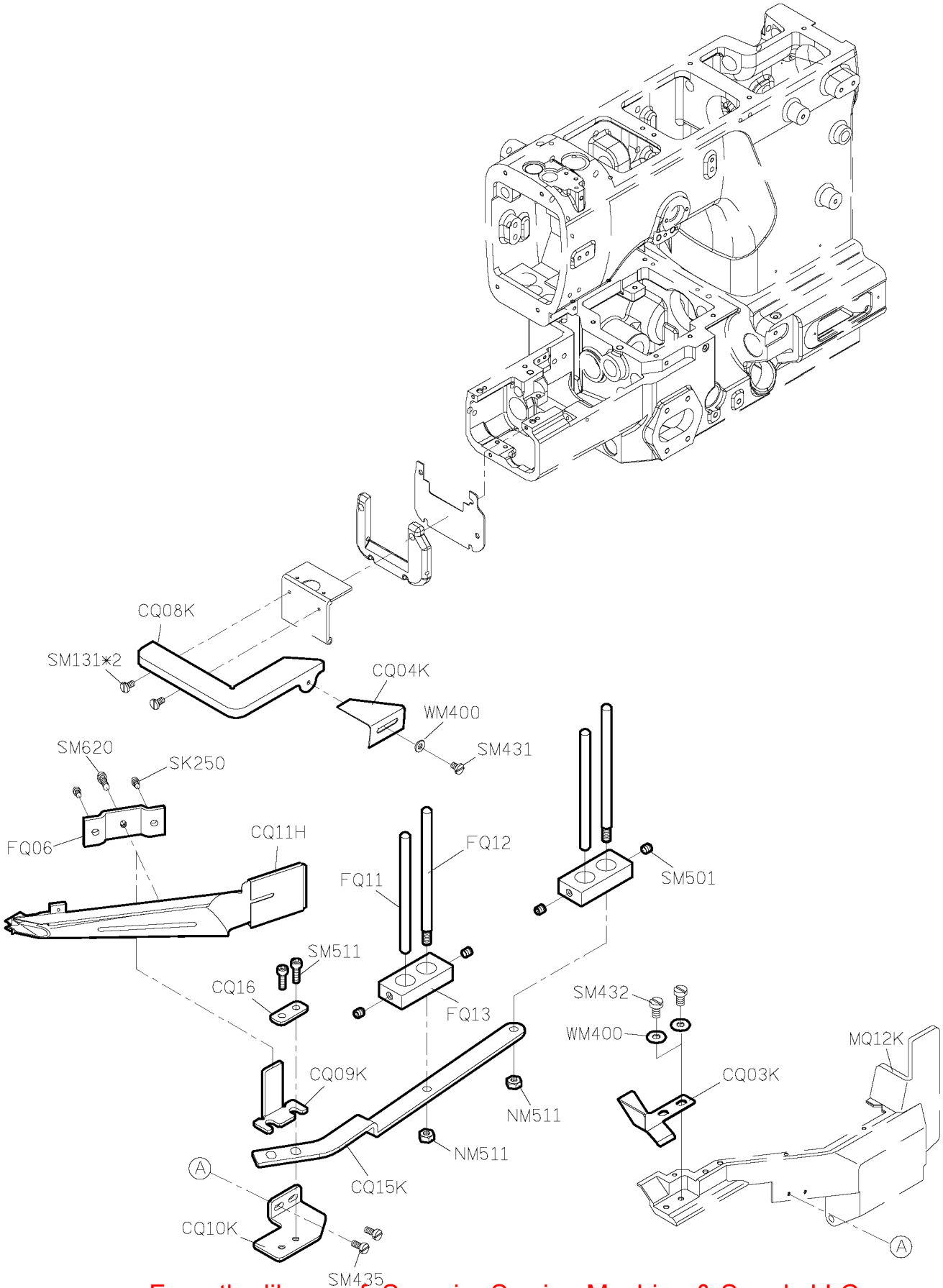
A

B

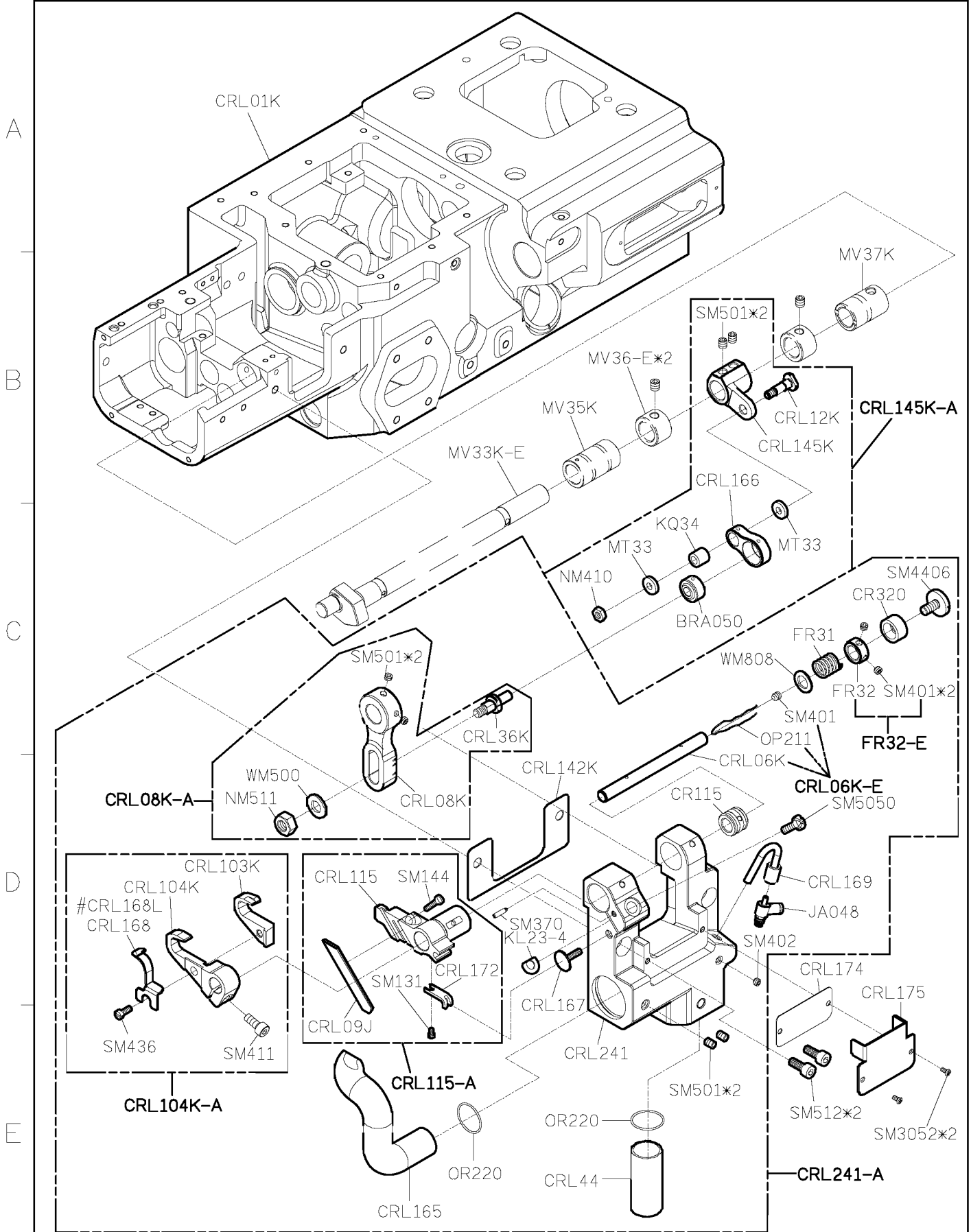
C

D

E



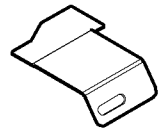
SIRUBA PARTS LIST	Series	Parts Group	Subclass / Remark	Page
	C007K/C007KD	<b>CRL-K</b>	# Use for attached in the accessory case of thin fabric	1/4
	C858K/C858KD			Date 2012/11/01



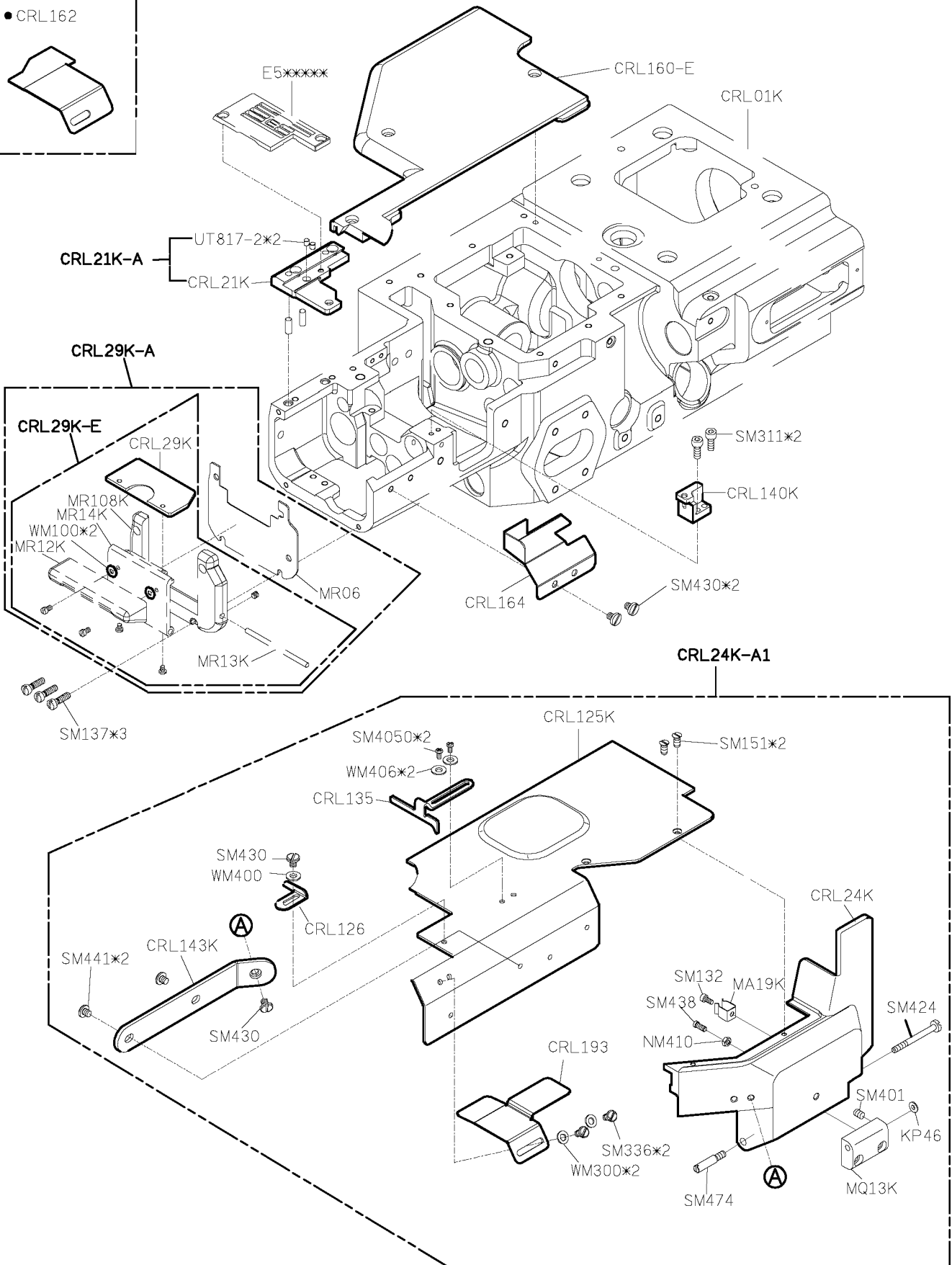
SIRUBA PARTS LIST	Series	Parts Group	Subclass / Remark	Page
	C007K/C007KD C858K/C858KD	<b>CRL-K</b>	•Use for general machine to re-equip	2/4
				Date

2012/11/01

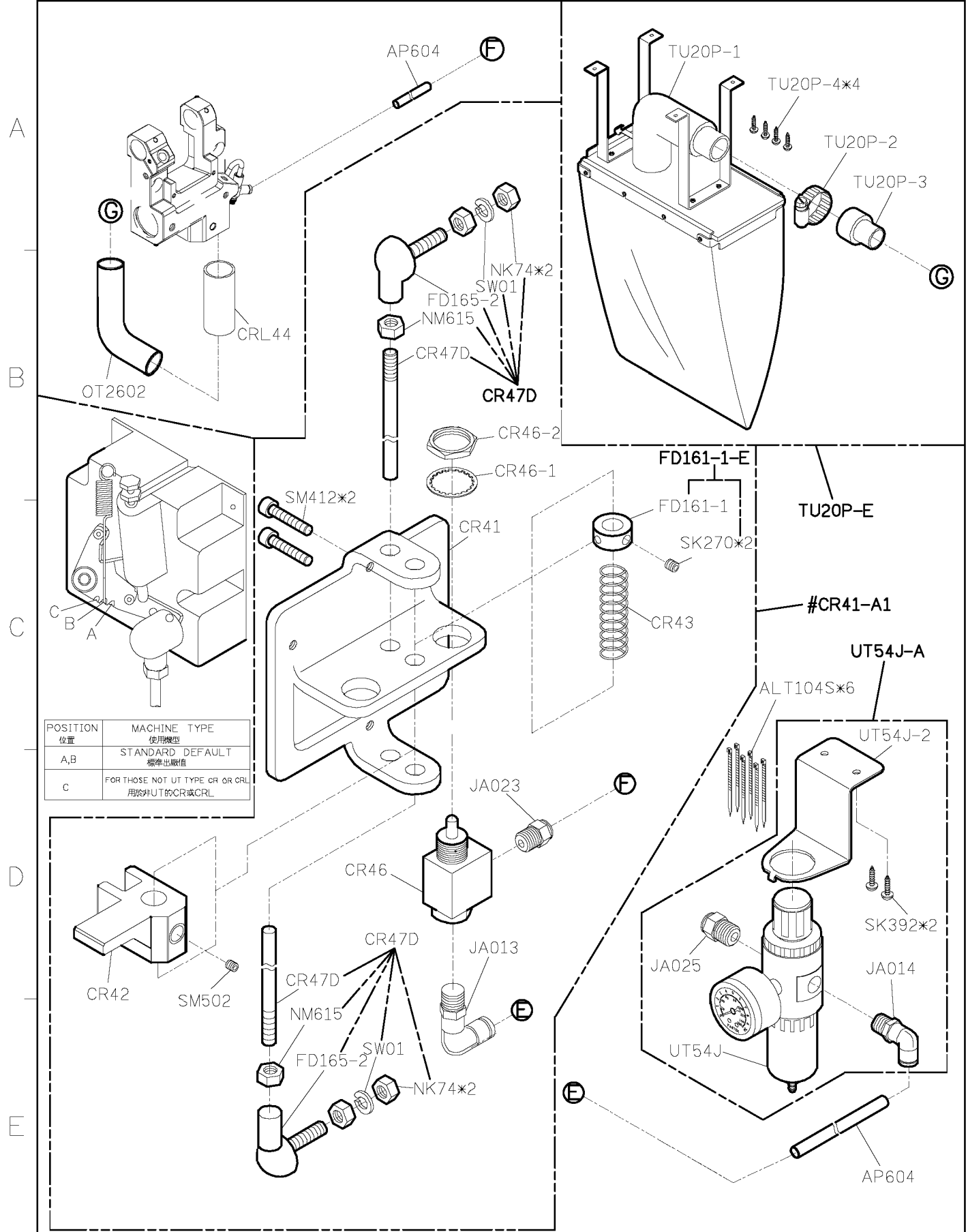
•CRL162



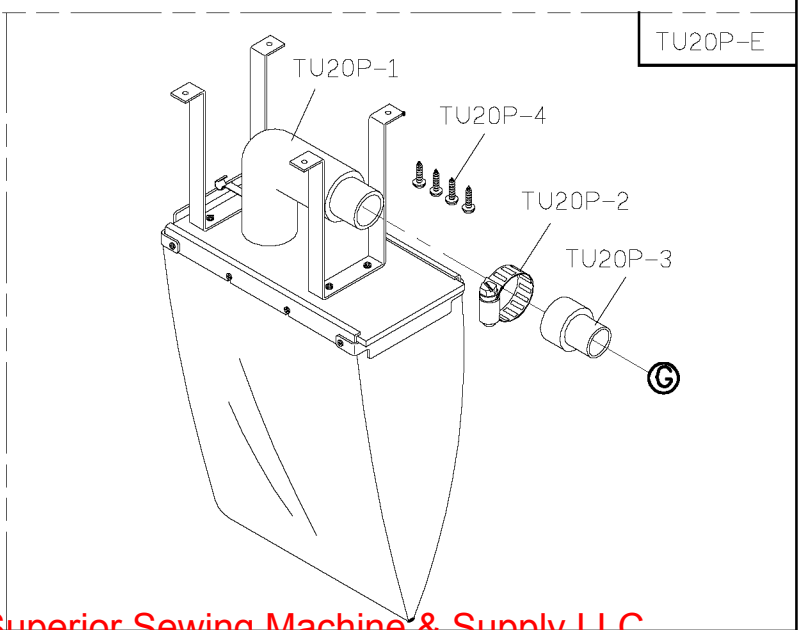
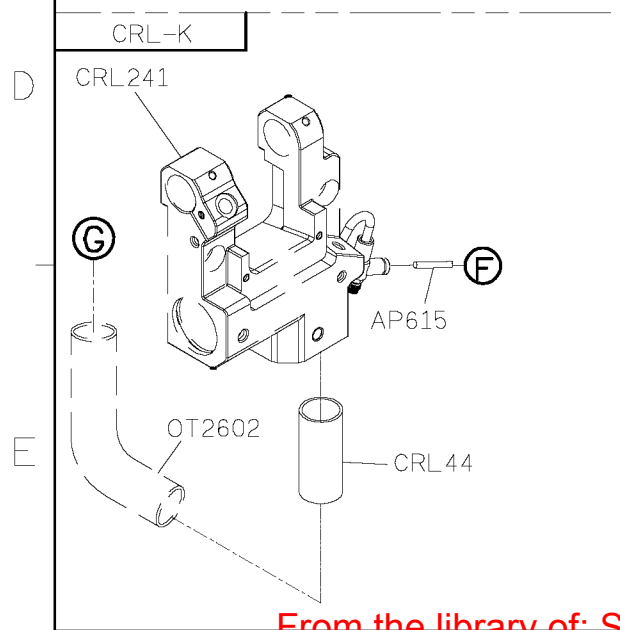
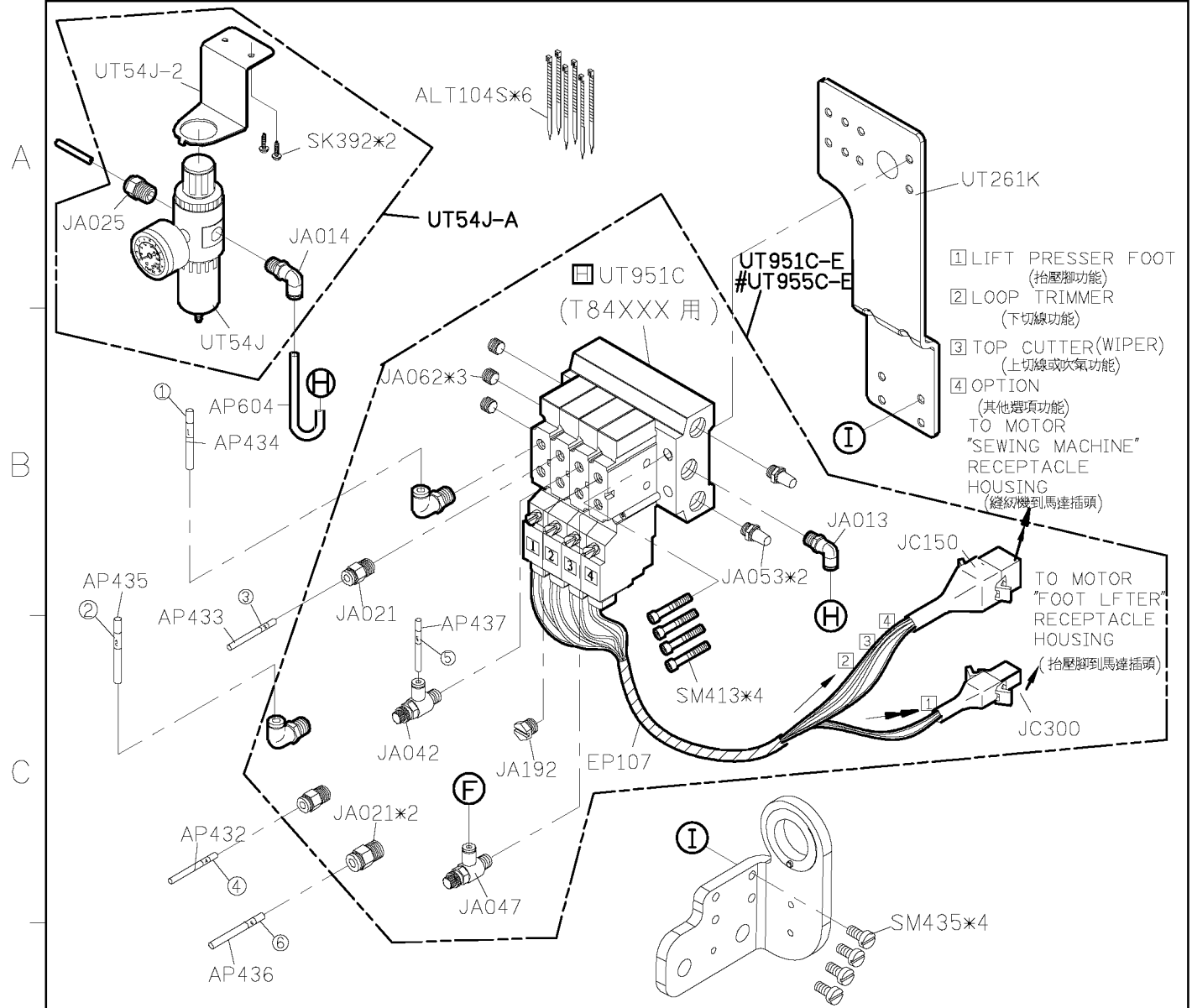
A  
B  
C  
D  
E



<b>SIRUBA</b> <b>PARTS LIST</b>	<b>Series</b>	<b>Parts Group</b>	<b>Subclass / Remark</b>	<b>Page</b>
	C007K/C007KD C858K/C858KD	<b>CRL-K</b>	# UTP/UTQ is not collocatec with	3/4
				<b>Date</b>
				2012/11/01

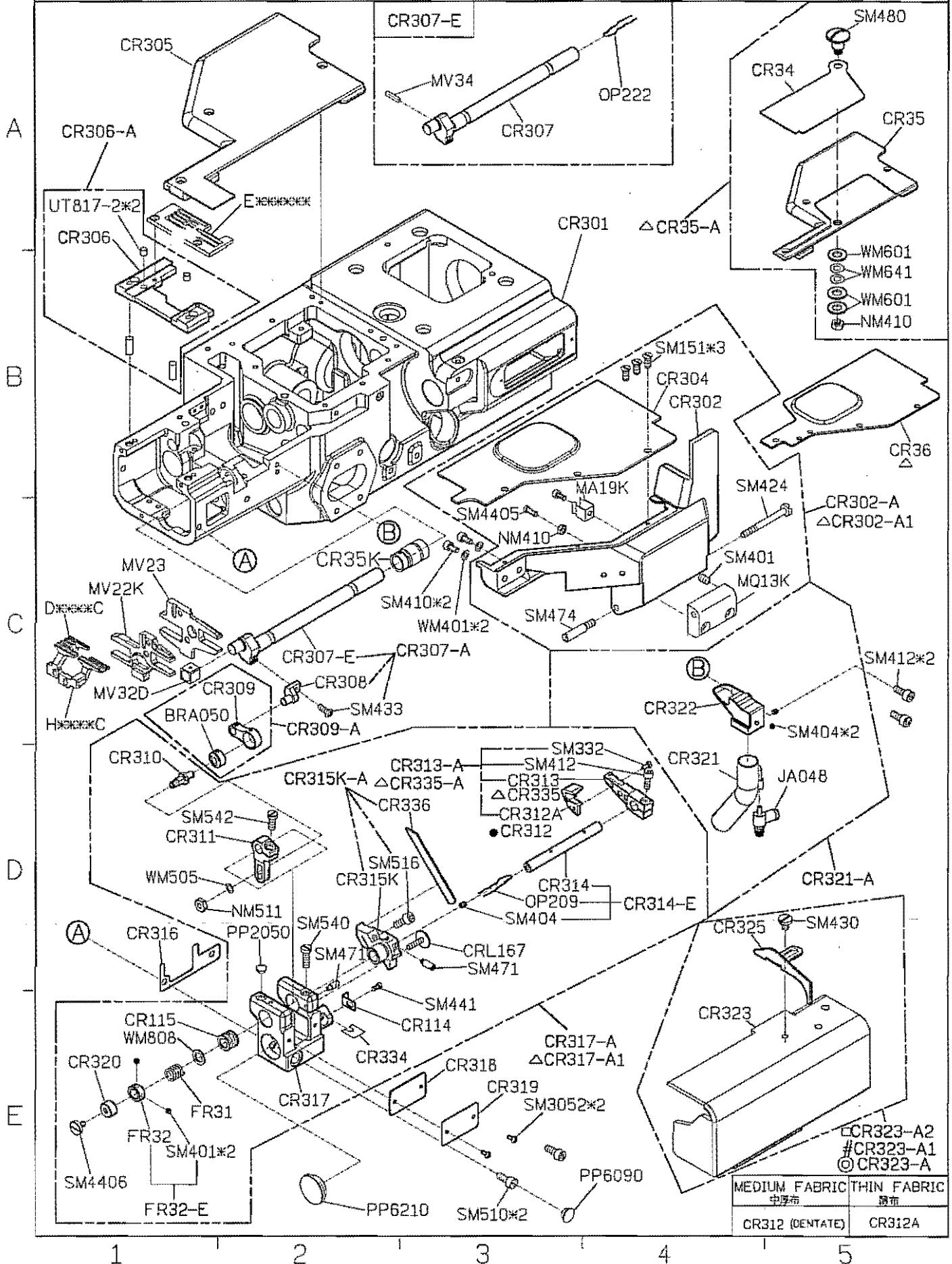


SIRUBA PARTS LIST	Series	Parts Group	Subclass / Remark	Page
	C007K/C007KD C858K/C858KD	CRL-K	☐ : Use for H brand motor (HVP-20)	4/4
			‡ Use for C007KD/858KD-CRL	Date
				2012/11/01

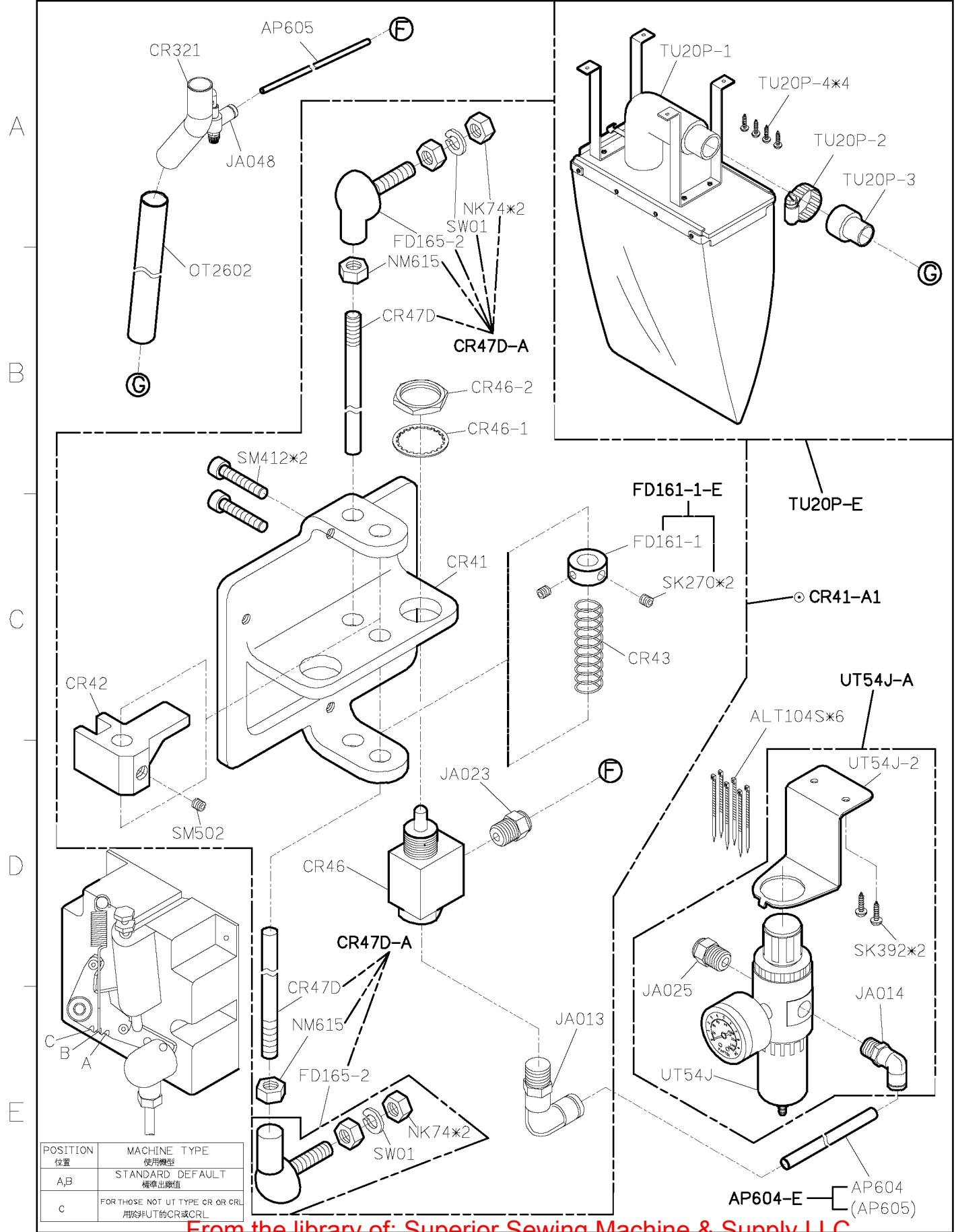




<b>SIRUBA</b> PARTS LIST	Series	Parts Group	Subclass / Remark	Page
	C007K/C007KD C858K/C858KD	<b>CR-K</b>	□ : Use for Basic CR # : Use for CX ◎ : Use for CR/CX △ : Use for attach FFC ● : Use for allocation	1/3
				Date
				2012/11/01



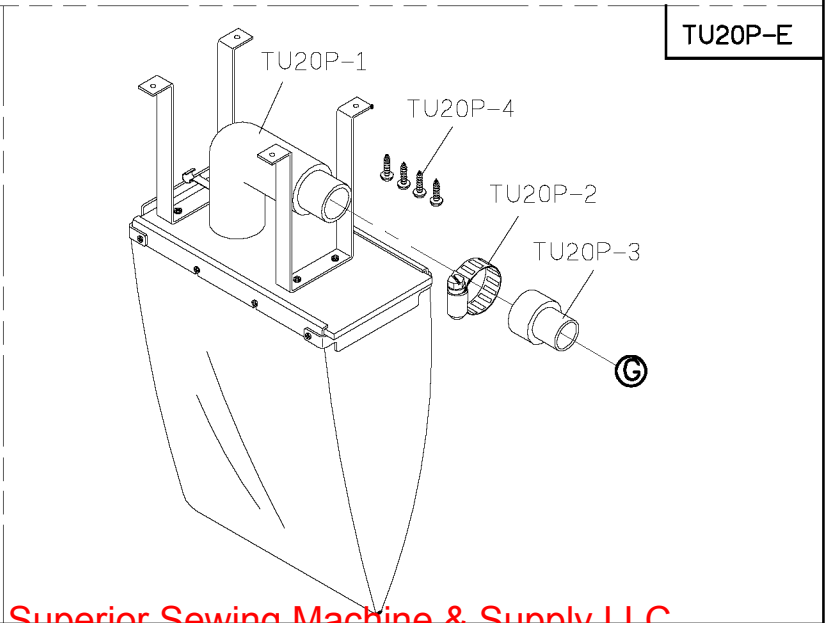
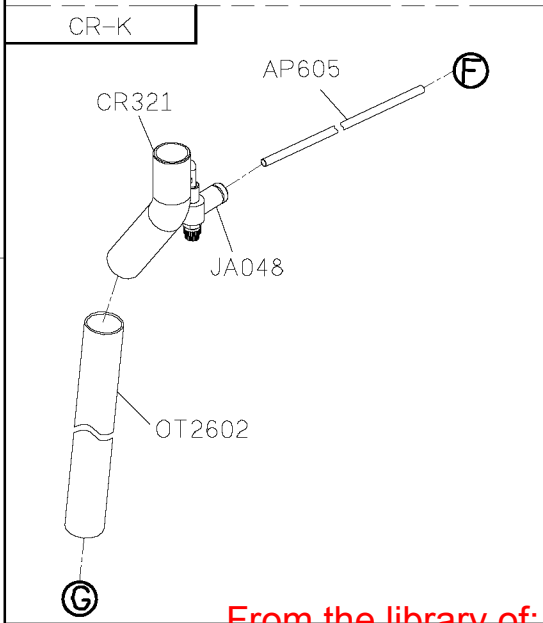
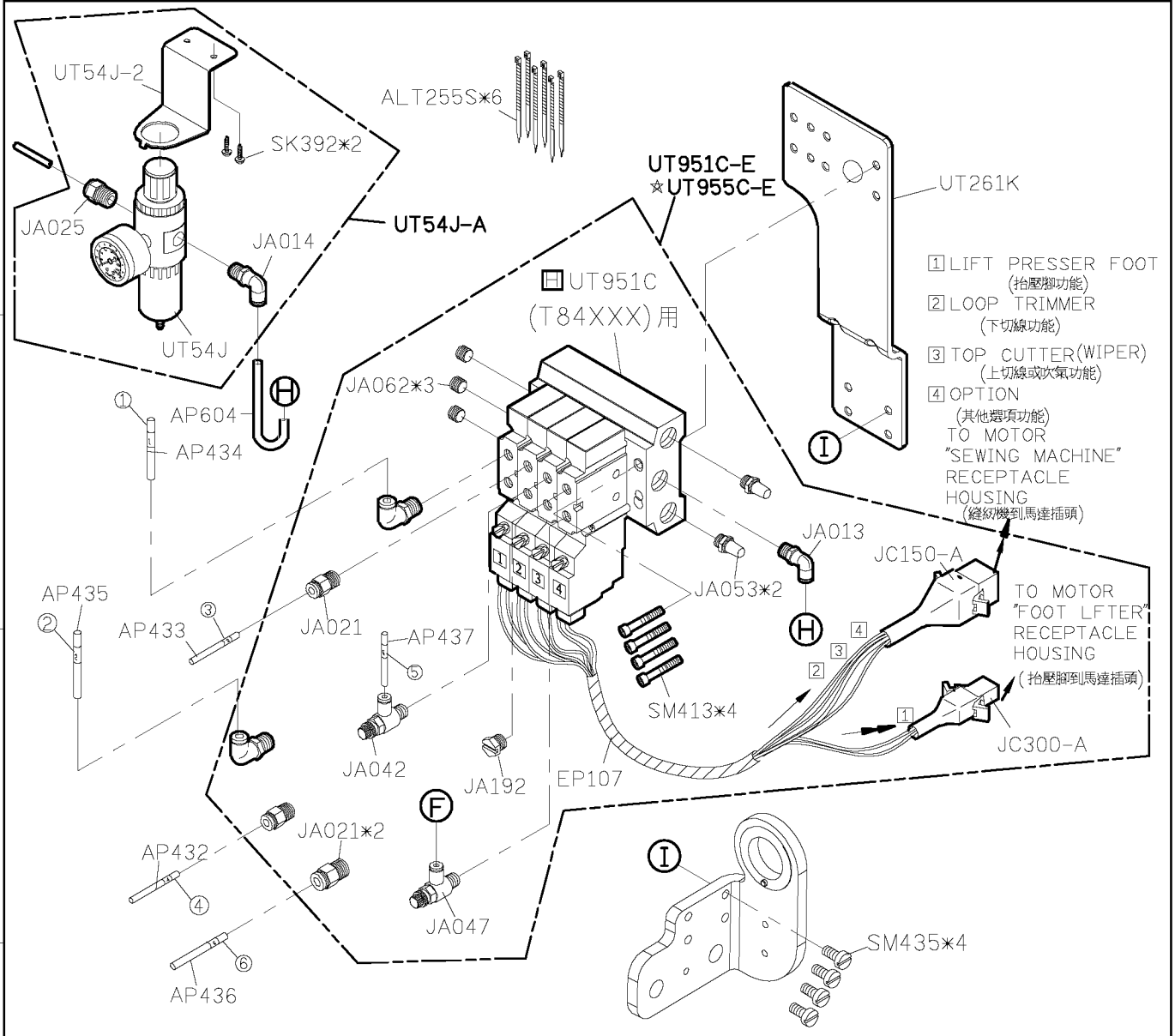
<b>SIRUBA</b> <b>PARTS LIST</b>	<b>Series</b>	<b>Parts Group</b>	<b>Subclass / Remark</b>	<b>Page</b>
	<b>C007K/C007KD</b>	<b>CR-K</b>	⊙ : UTP/UTQ is not collocatec with	<b>2/3</b>
	<b>C858K/C858KD</b>			<b>Date</b>
				<b>2012/11/01</b>



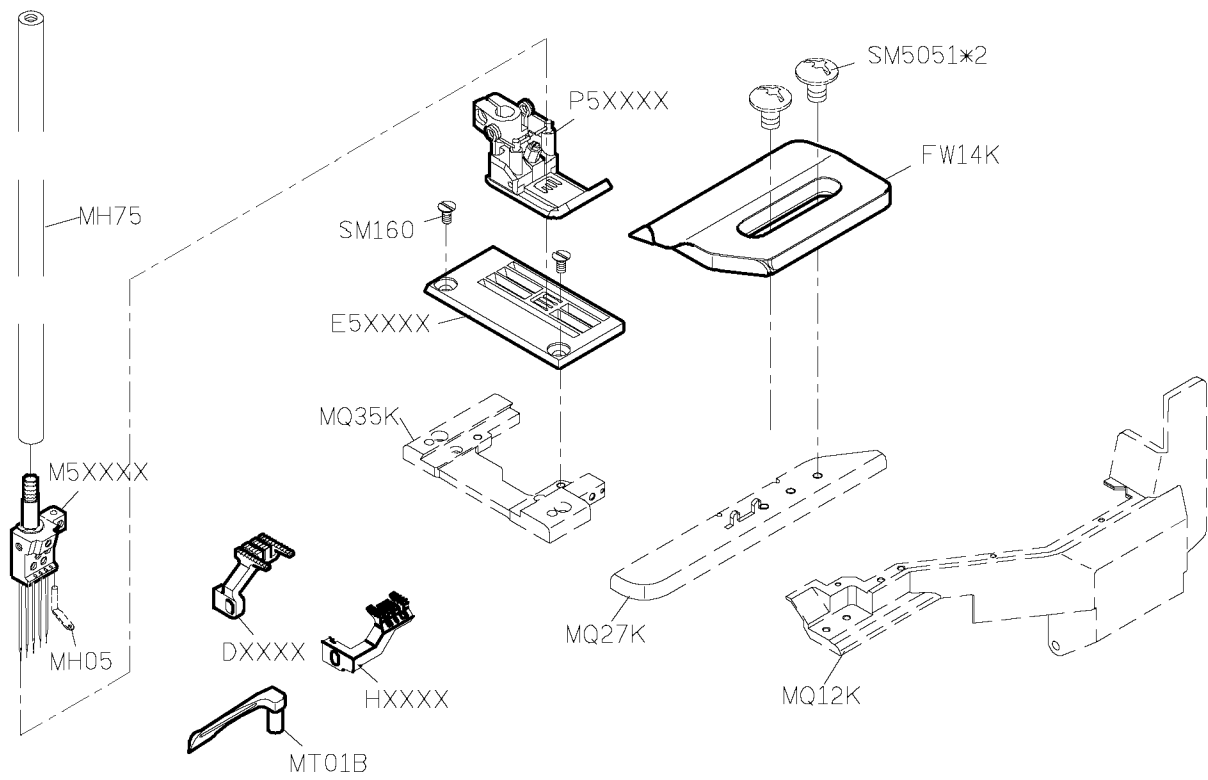
POSITION 位置	MACHINE TYPE 使用機型
A,B	STANDARD DEFAULT 標準出廠值
C	FOR THOSE NOT UT TYPE CR OR CRL 用於非UT的CR或CRL



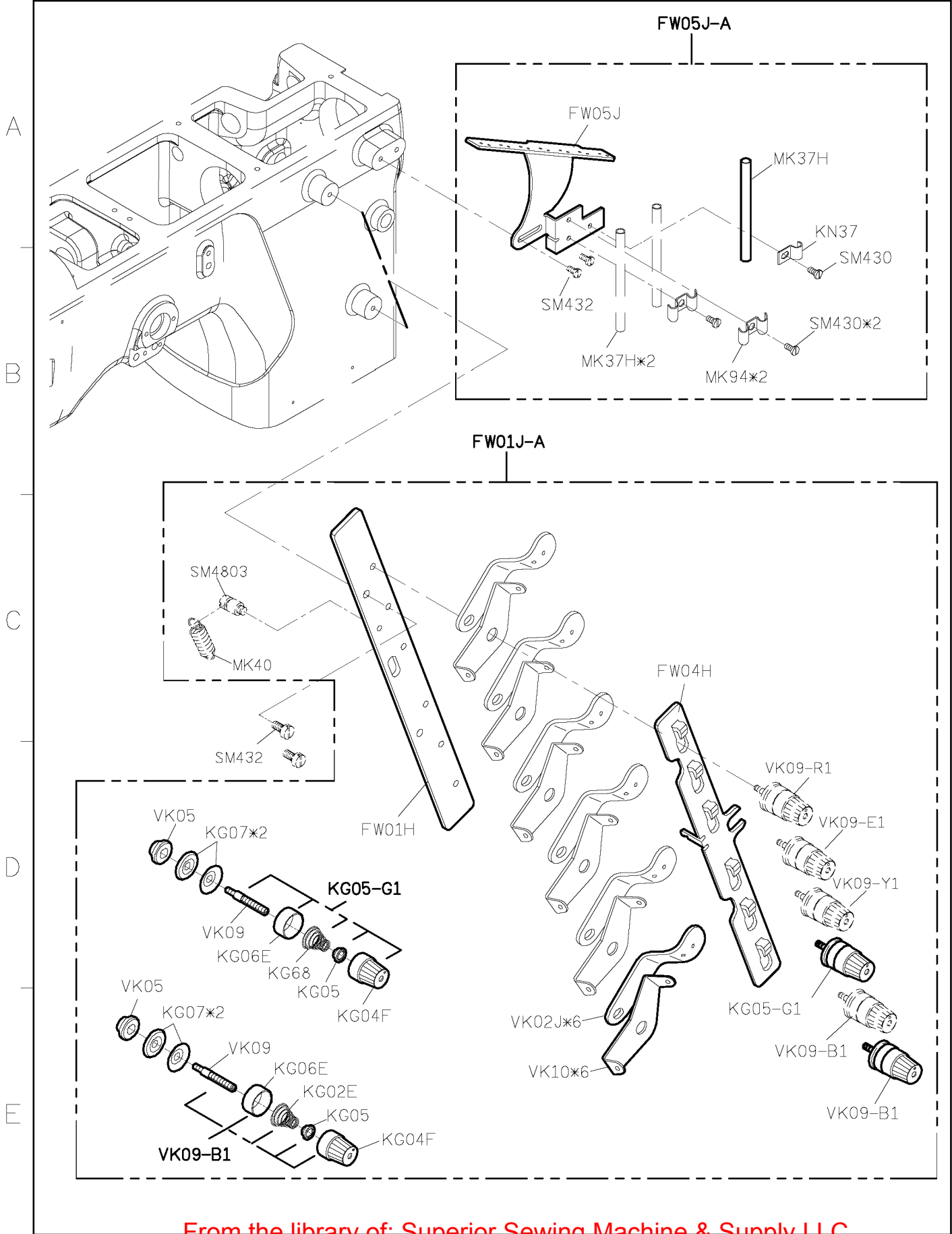
SIRUBA PARTS LIST	Series	Parts Group	Subclass / Remark	Page
	C007K/C007KD C858K/C858KD	CR-K	□ : Use for H brand motor (HVP-20) ☆ : Use for C007KD-CR(CX)/C858KD-CR(CX)	3/3
				Date
				2012/11/01



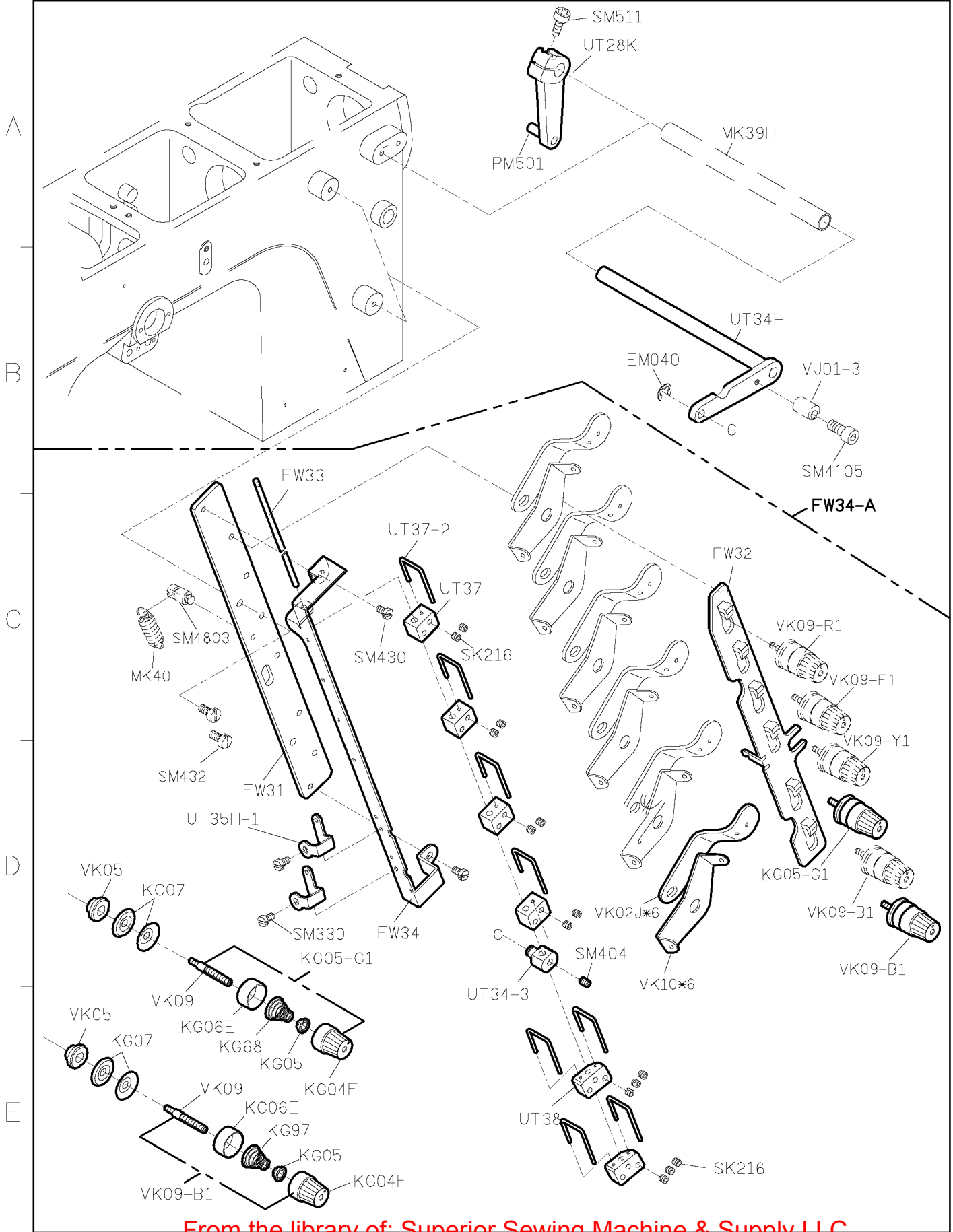
SIRUBA PARTS LIST	Series	Parts Group	Subclass / Remark	Page
	C007K/C007KD	CW-K		1/3
	C858K/C858KD			Date
				2012/11/01



SIRUBA PARTS LIST	Series	Parts Group	Subclass / Remark	Page
	C007K/C007KD	CW-K		2/3
	C858K/C858KD			Date
				2012/11/01



SIRUBA PARTS LIST	Series	Parts Group	Subclass / Remark	Page
	C007K/C007KD	CW-K	For UTQ	3/3
	C858K/C858KD			Date
				2012/11/01

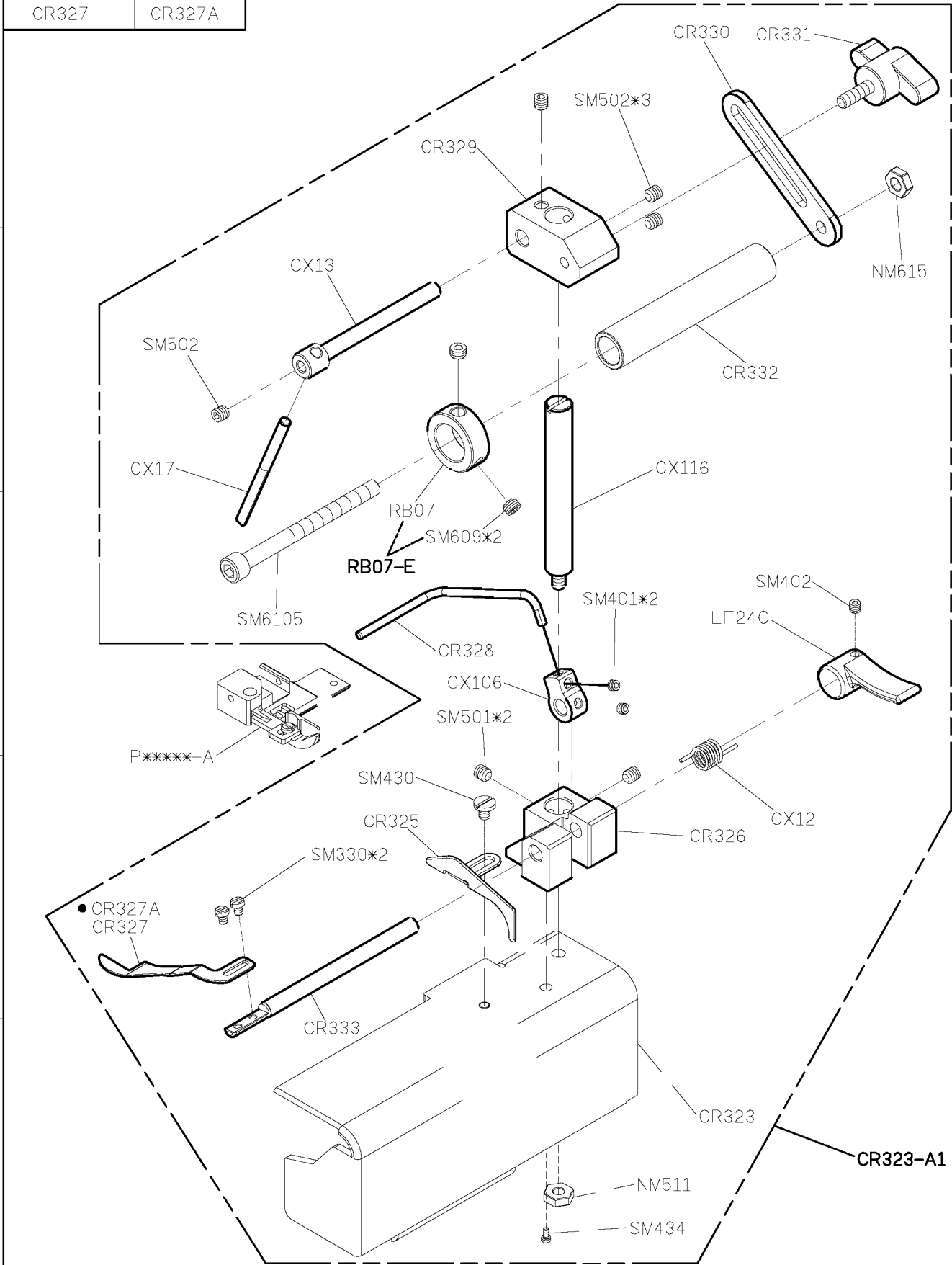


From the library of: Superior Sewing Machine & Supply LLC

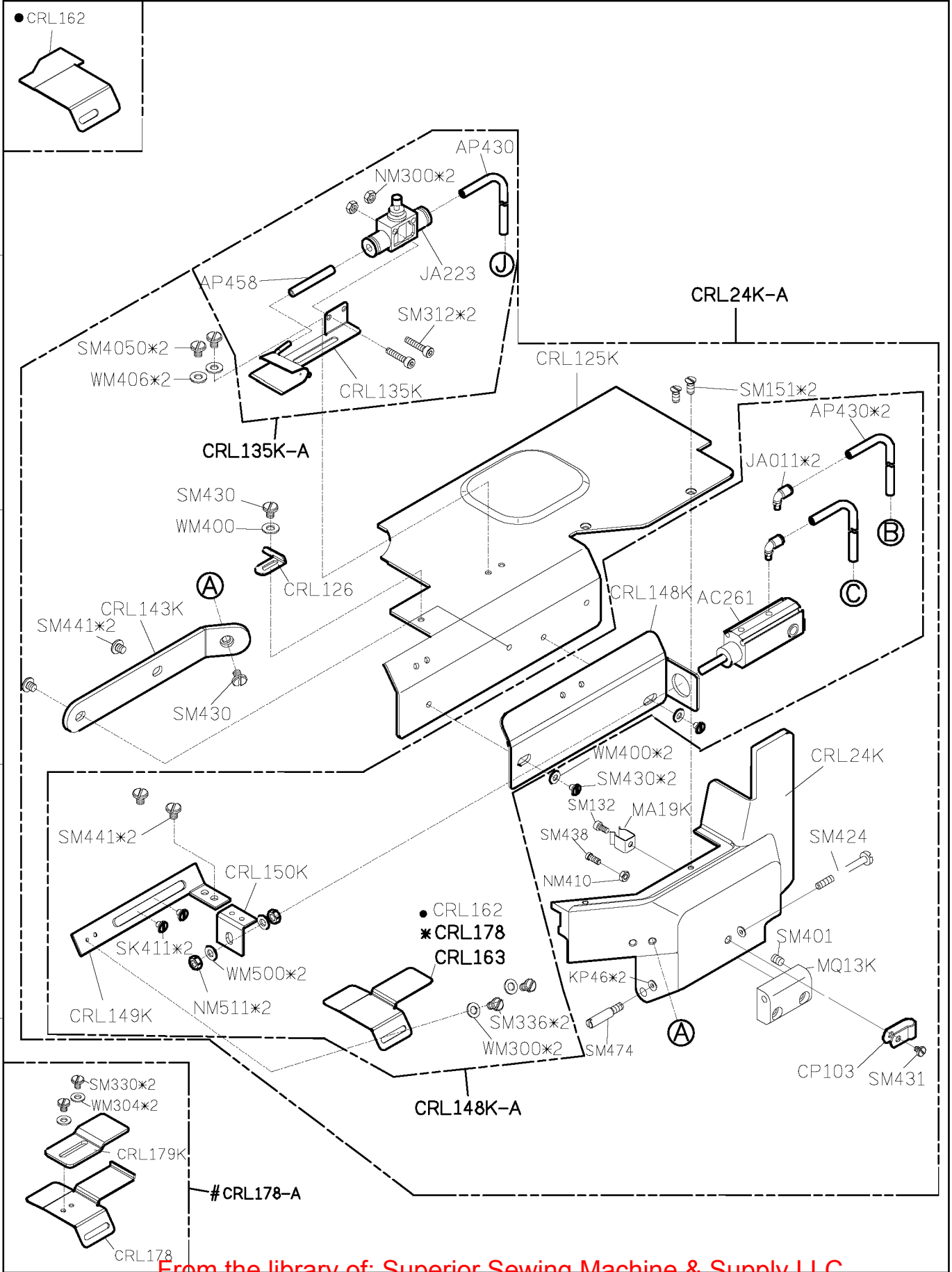
<b>SIRUBA</b> <b>PARTS LIST</b>	<b>Series</b>	<b>Parts Group</b>	<b>Subclass / Remark</b>	<b>Page</b>
	<b>C007K/C007KD</b>	<b>CX-K</b>		1/1
	<b>C858K/C858KD</b>			<b>Date</b>
				2012/11/01

MEDIUM FABRIC 中厚布	THIN FABRIC 薄布
CR327	CR327A

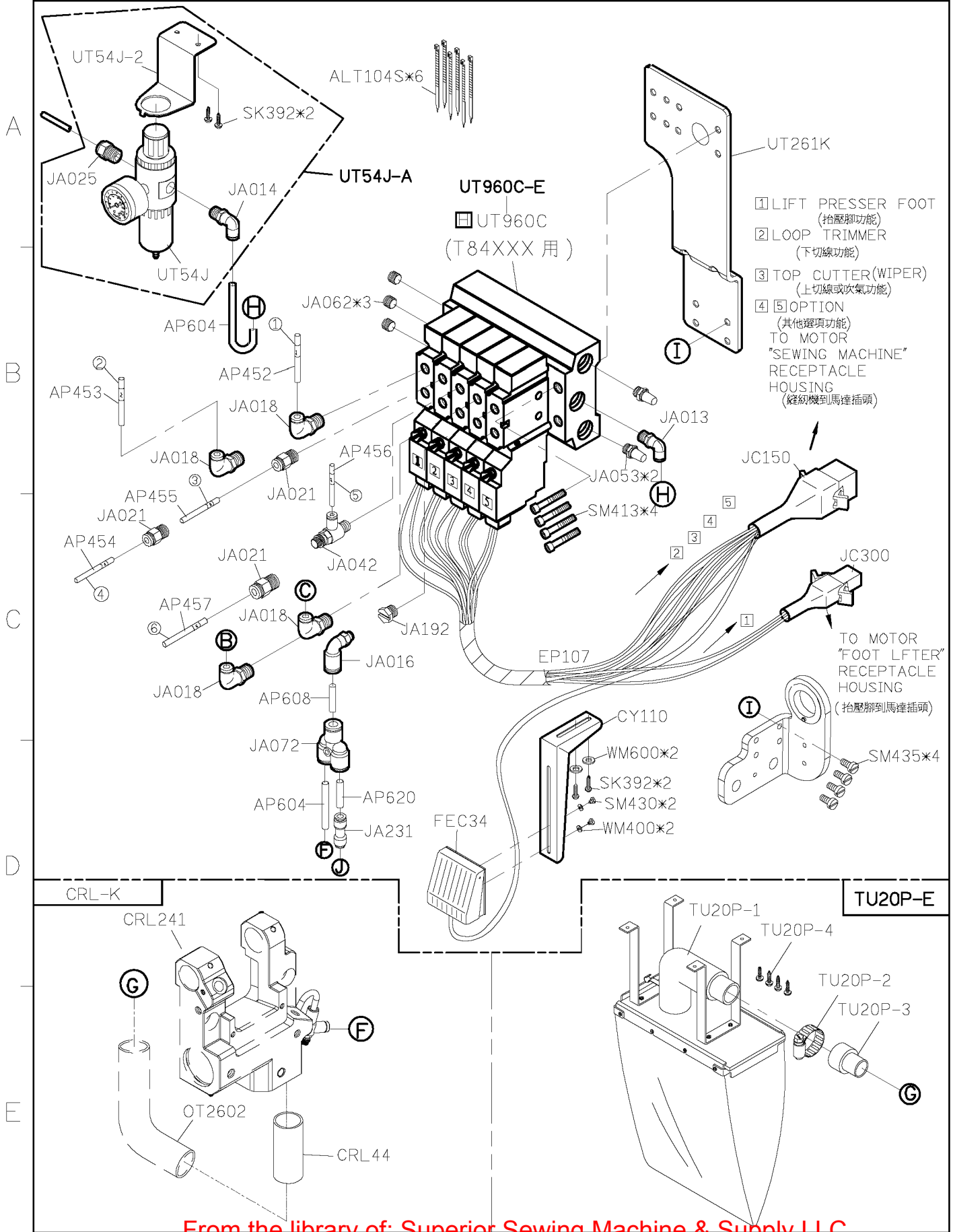
A  
B  
C  
D  
E



SIRUBA PARTS LIST	Series	Parts Group	Subclass / Remark	Page
	C007K/C007KD	CHP(CY) /UTP-K	Note: Type CHP is collocated with UTP ● : Use for general machine to re-equip #: Use for CY to re-equip	1/2
	C858K/C858KD			Date
				2013/01/09



SIRUBA PARTS LIST	Series	Parts Group	Subclass / Remark	Page
	C007K/C007KD C858K/C858KD	CHP(CY) /UTP-K	☐ : Use for H brand motor (HVP-20)	2/2
				Date 2013/01/05

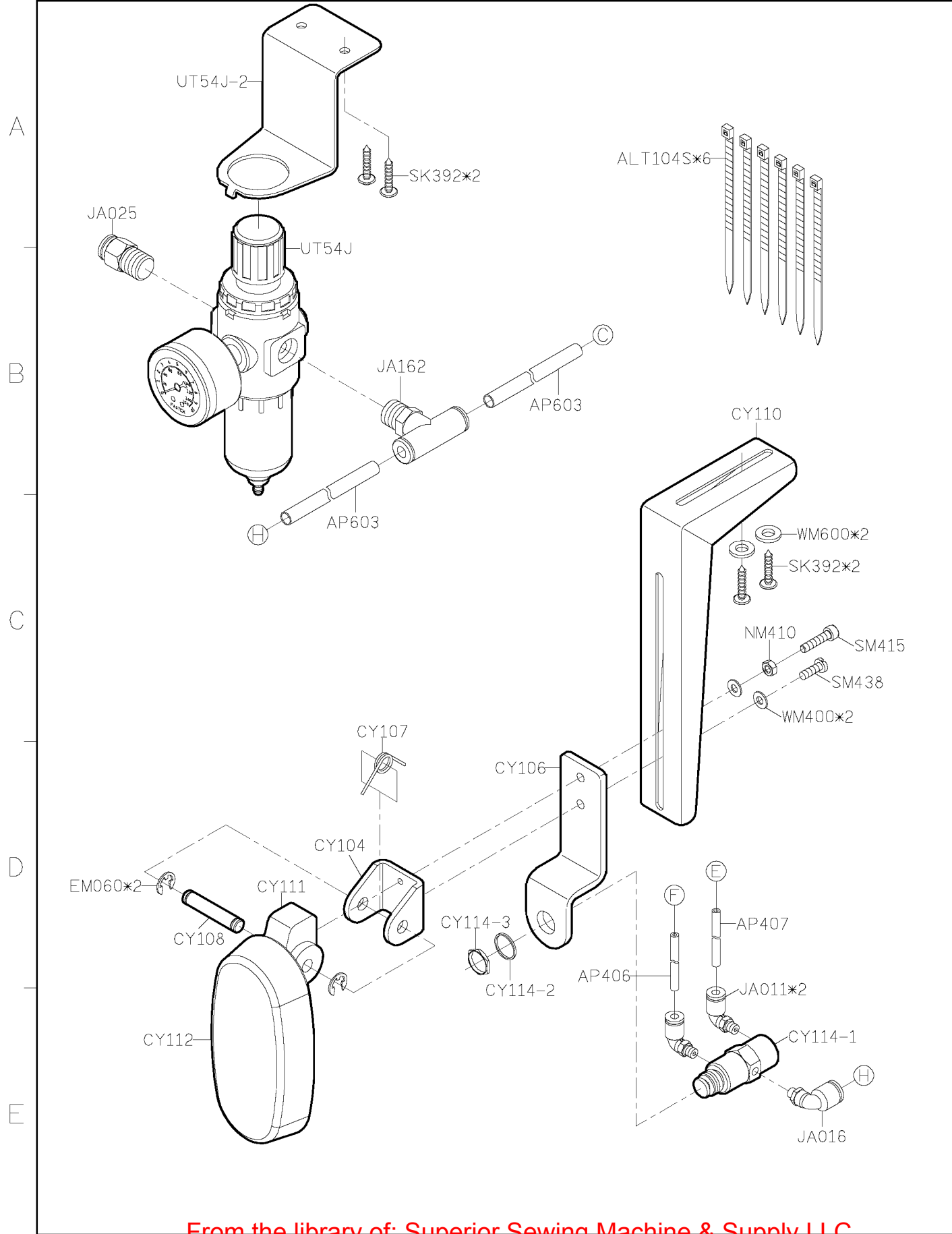




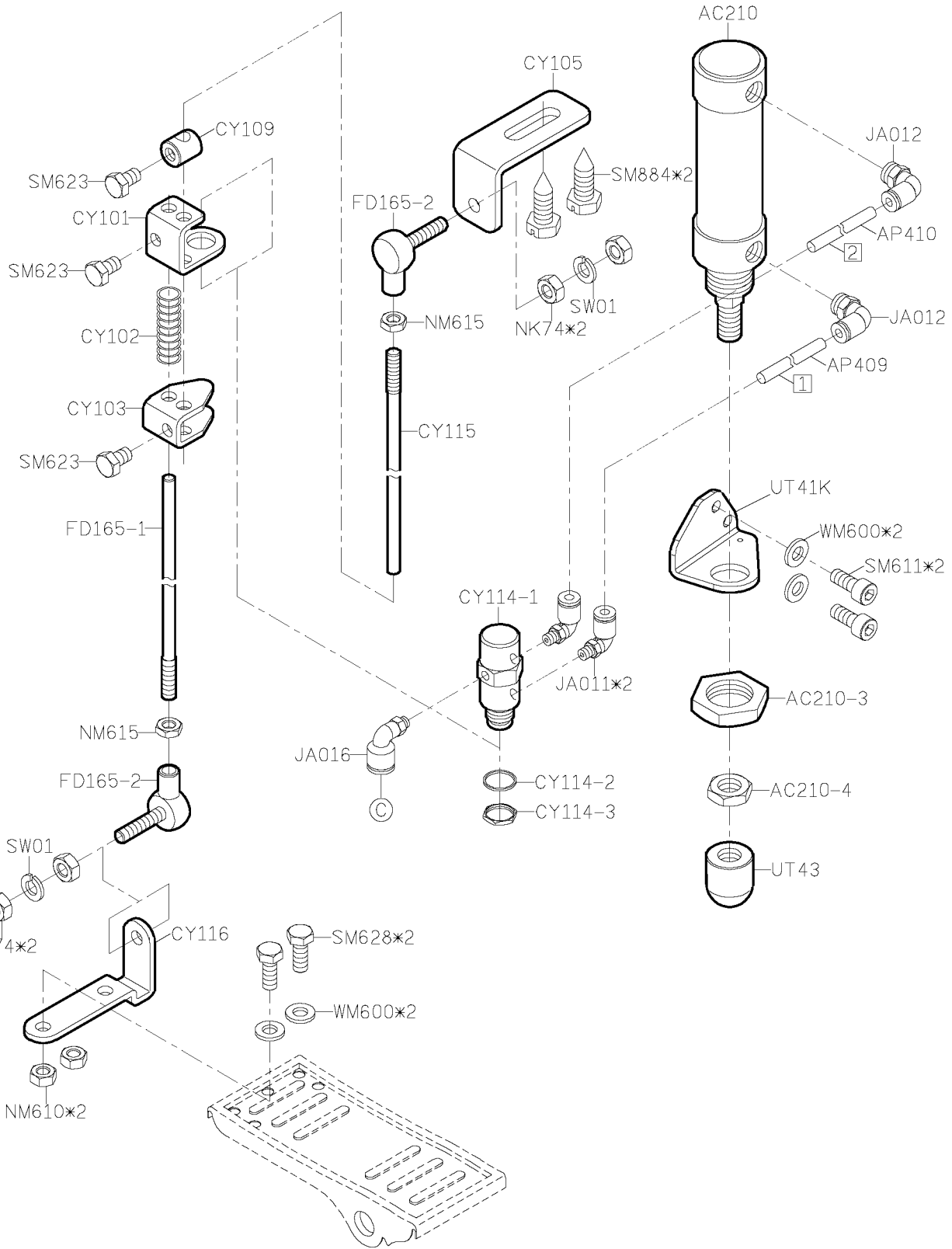




SIRUBA PARTS LIST	Series	Parts Group	Subclass / Remark	Page
	C007K/C007KD	CZ-K		2/3
	C858K/C858KD			Date
	2012/11/01			



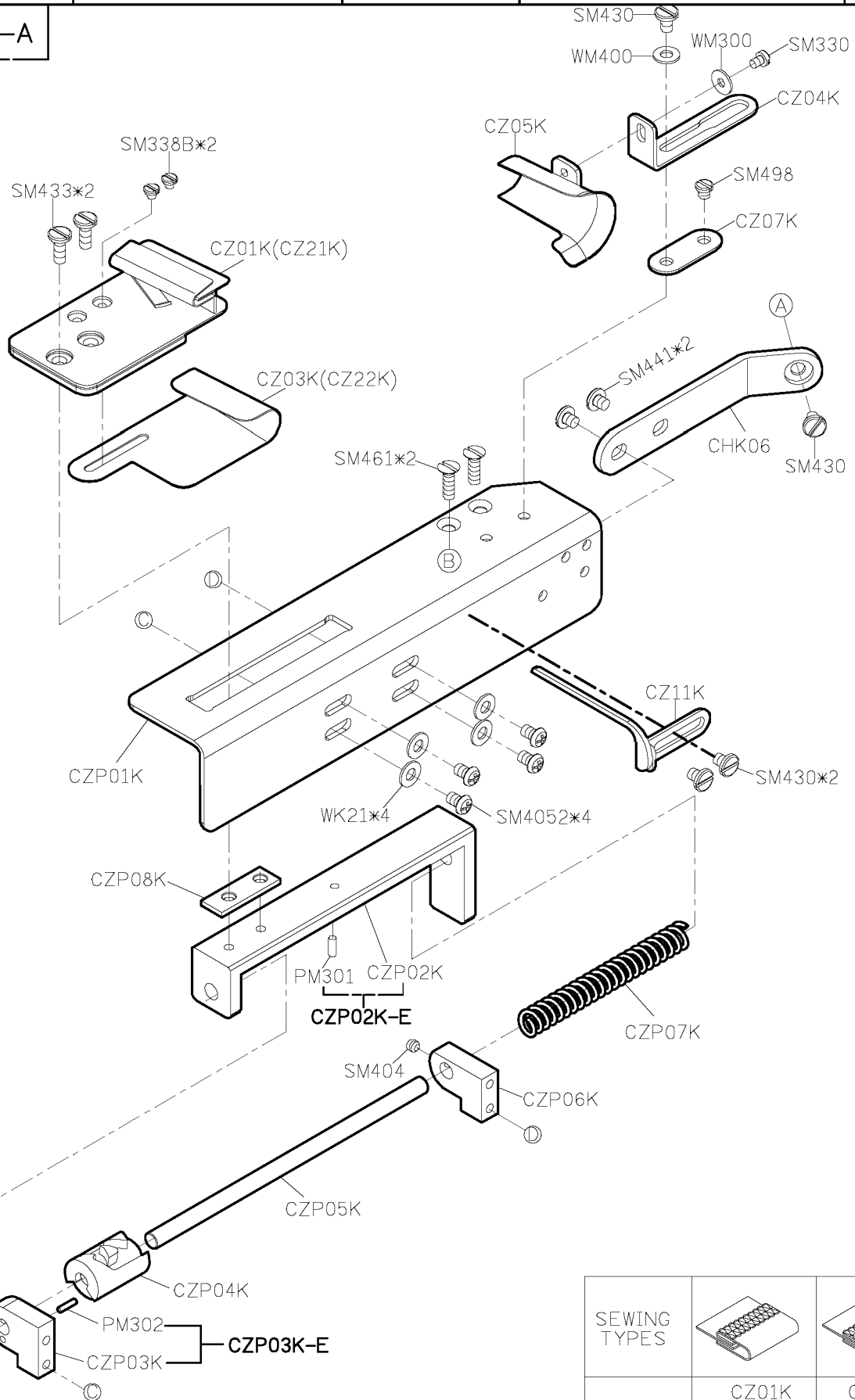
SIRUBA PARTS LIST	Series	Parts Group	Subclass / Remark	Page
	C007K/C007KD	CZ-K		3/3
	C858K/C858KD			Date
				2012/11/01



<b>SIRUBA</b> <b>PARTS LIST</b>	<b>Series</b>	<b>Parts Group</b>	<b>Subclass / Remark</b>	<b>Page</b>
	<b>C007K/C007KD</b>	<b>CZP-K</b>		<b>1/3</b>
	<b>C858K/C858KD</b>			<b>Date</b>
				<b>2012/11/01</b>

CZP01K-A

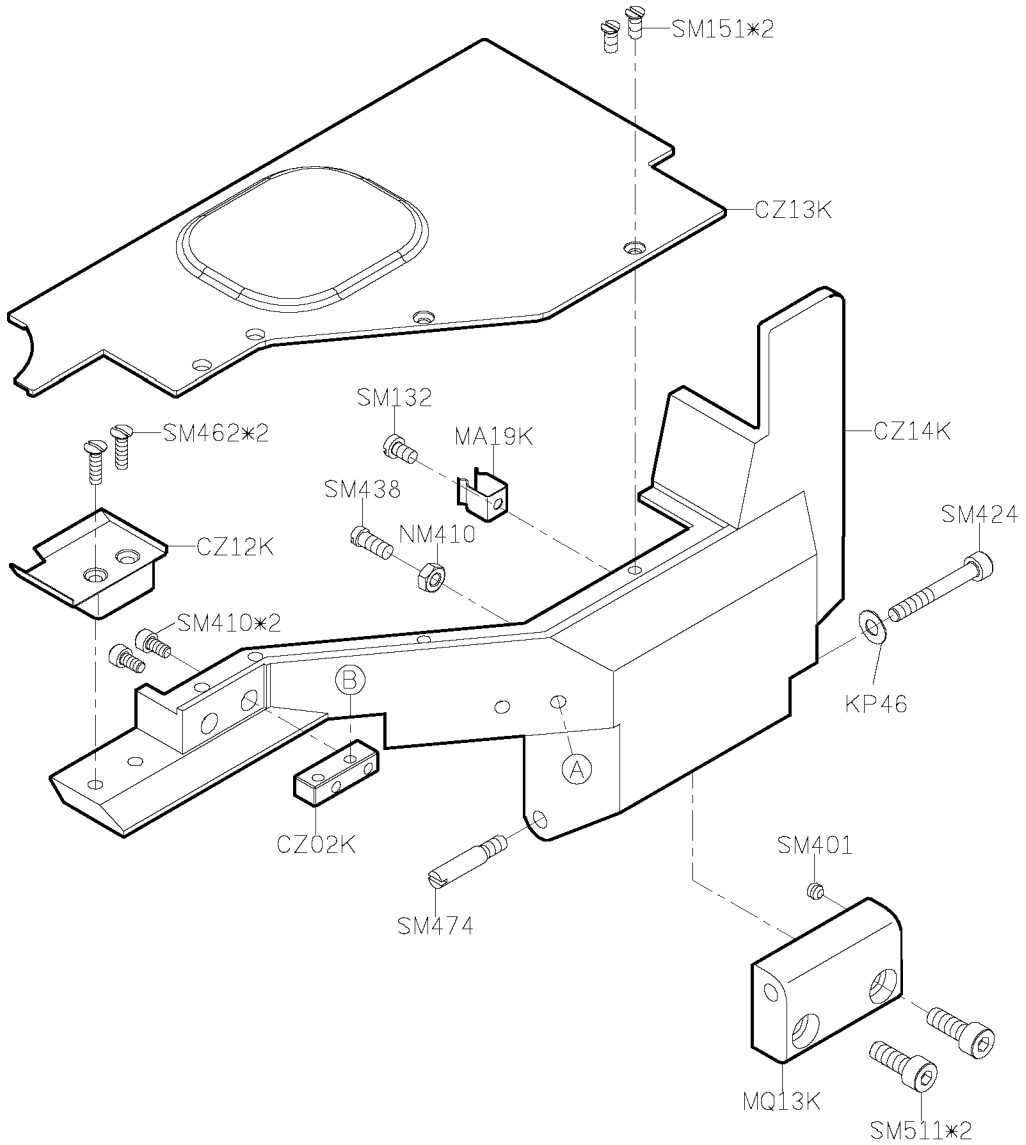
A  
B  
C  
D  
E



SEWING TYPES		
CODE	CZ01K CZ03K	CZ21K CZ22K

SIRUBA PARTS LIST	Series	Parts Group	Subclass / Remark	Page
	C007K/C007KD	CZP-K		2/3
	C858K/C858KD			Date
				2012/11/01

A  
B  
C  
D  
E



SIRUBA PARTS LIST	Series	Parts Group	Subclass / Remark	Page
	C007K/C007KD	CZP-K		3/3
	C858K/C858KD			Date
				2012/11/01

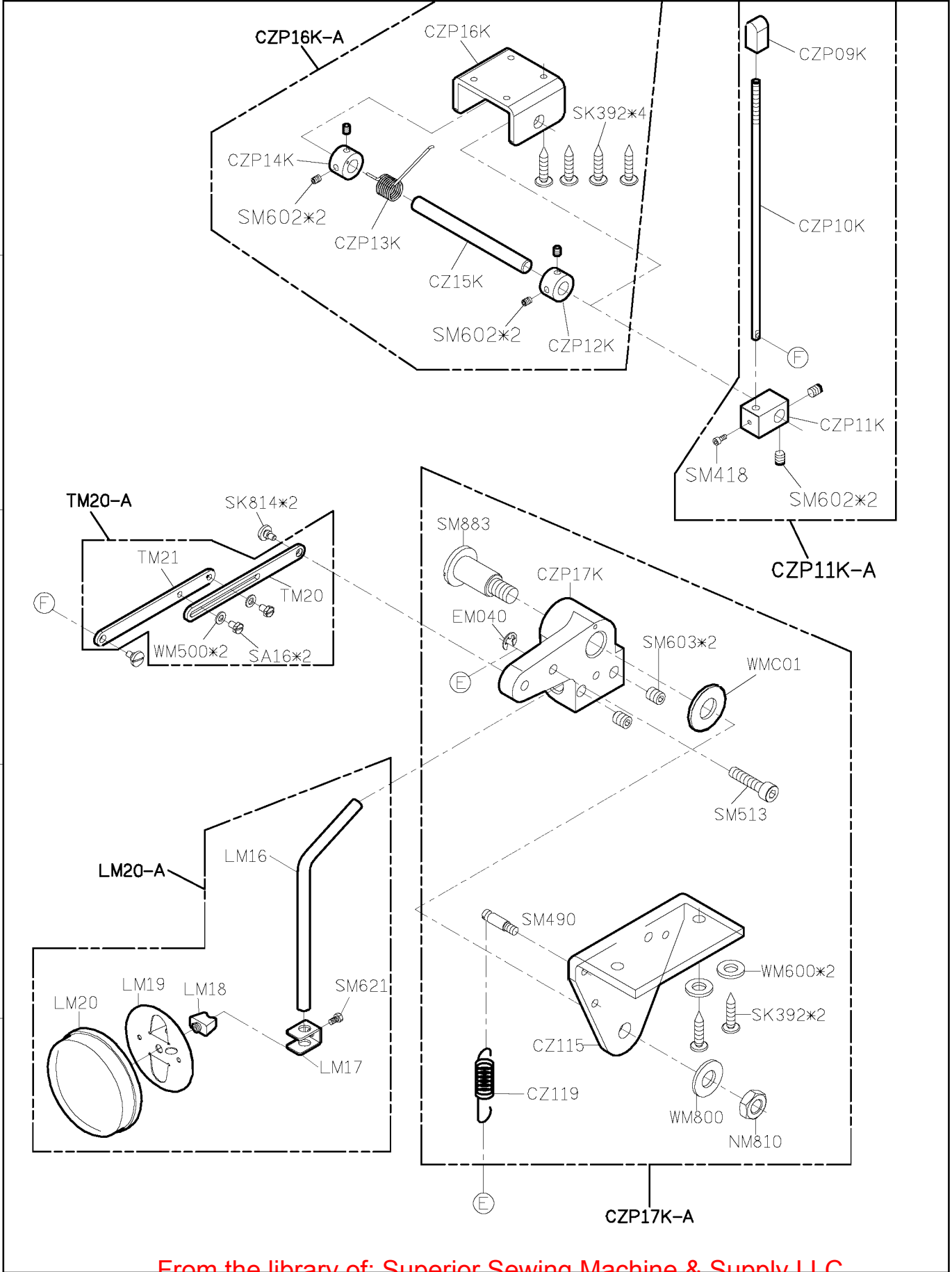
A

B

C

D

E



1

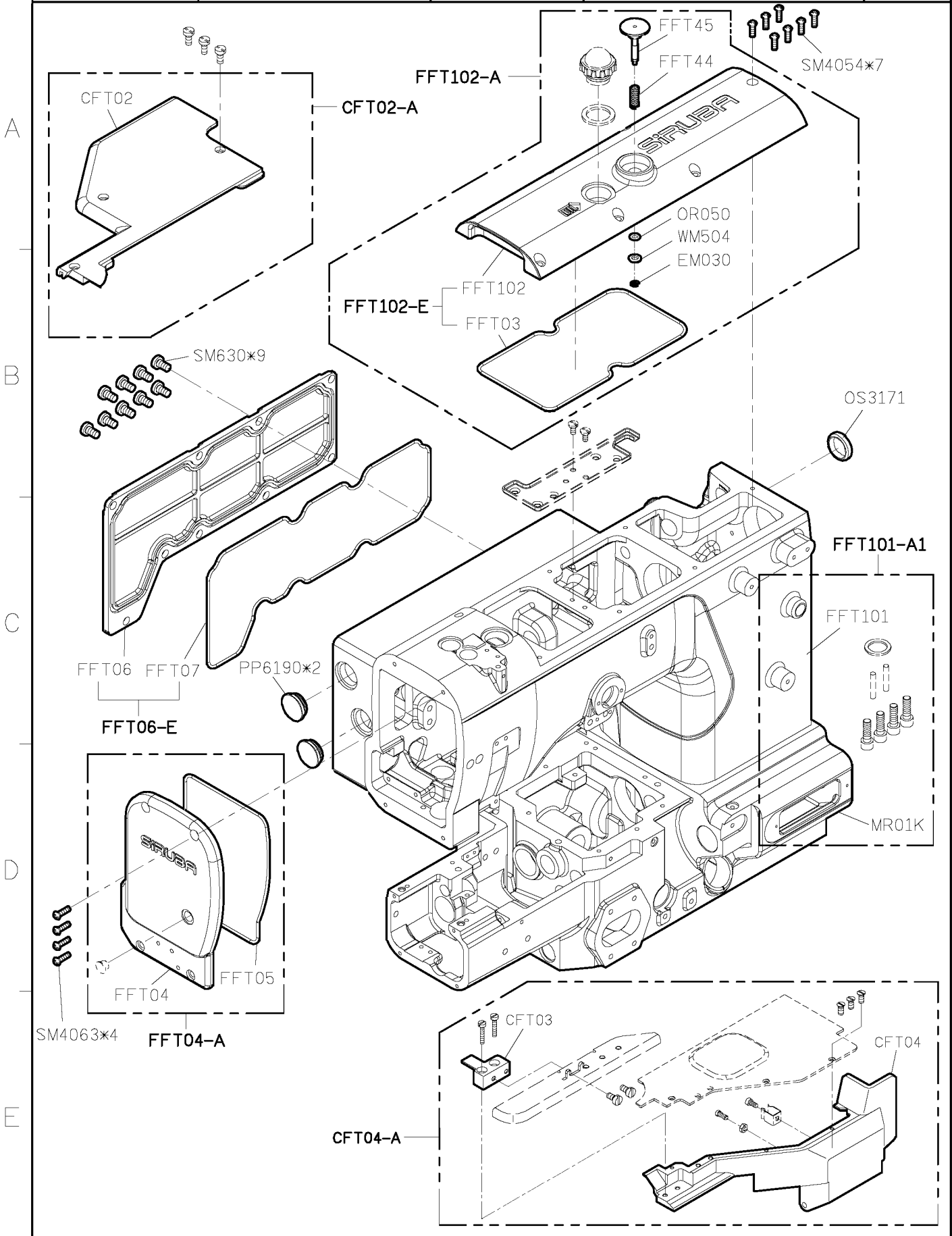
2

3

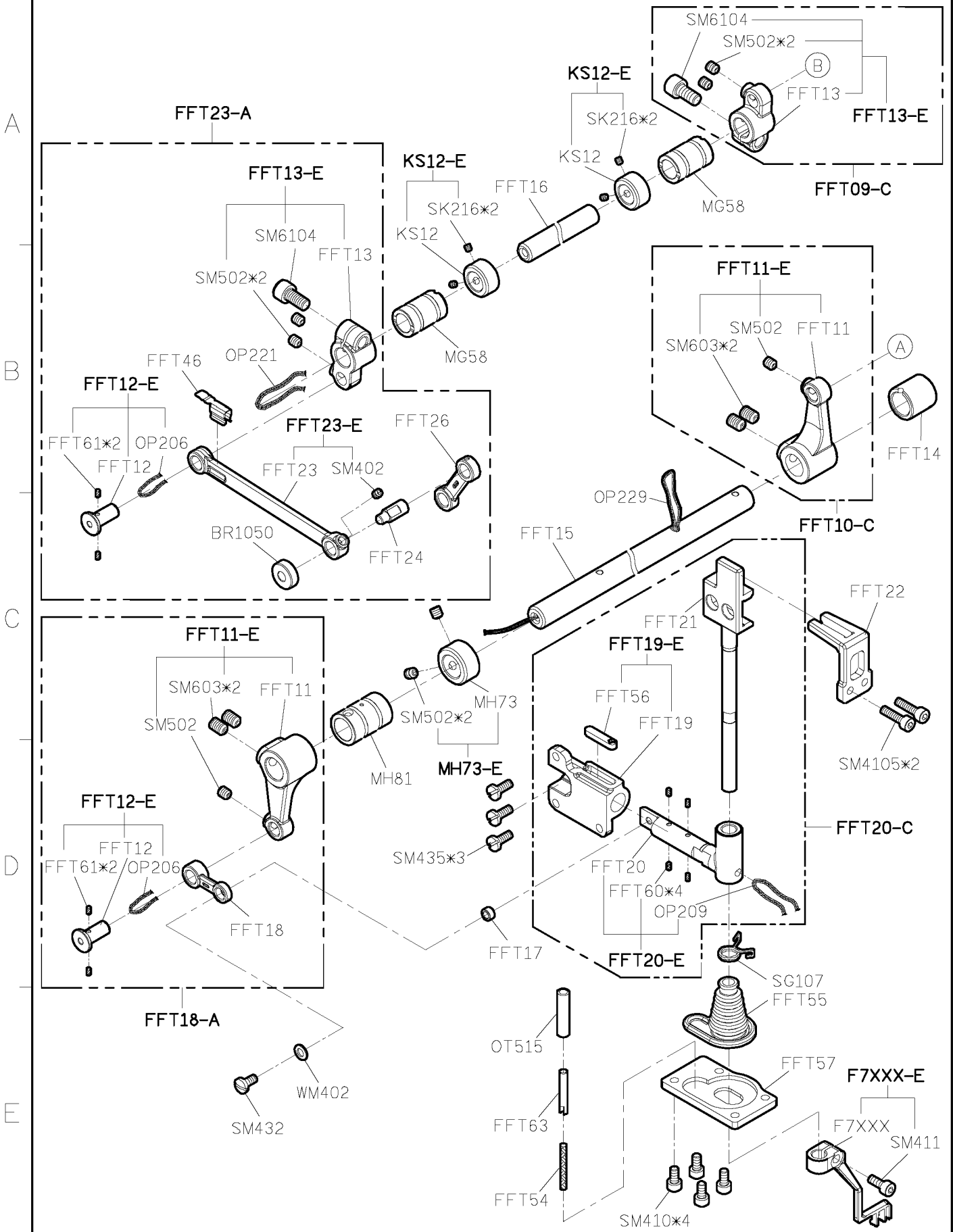
4

5

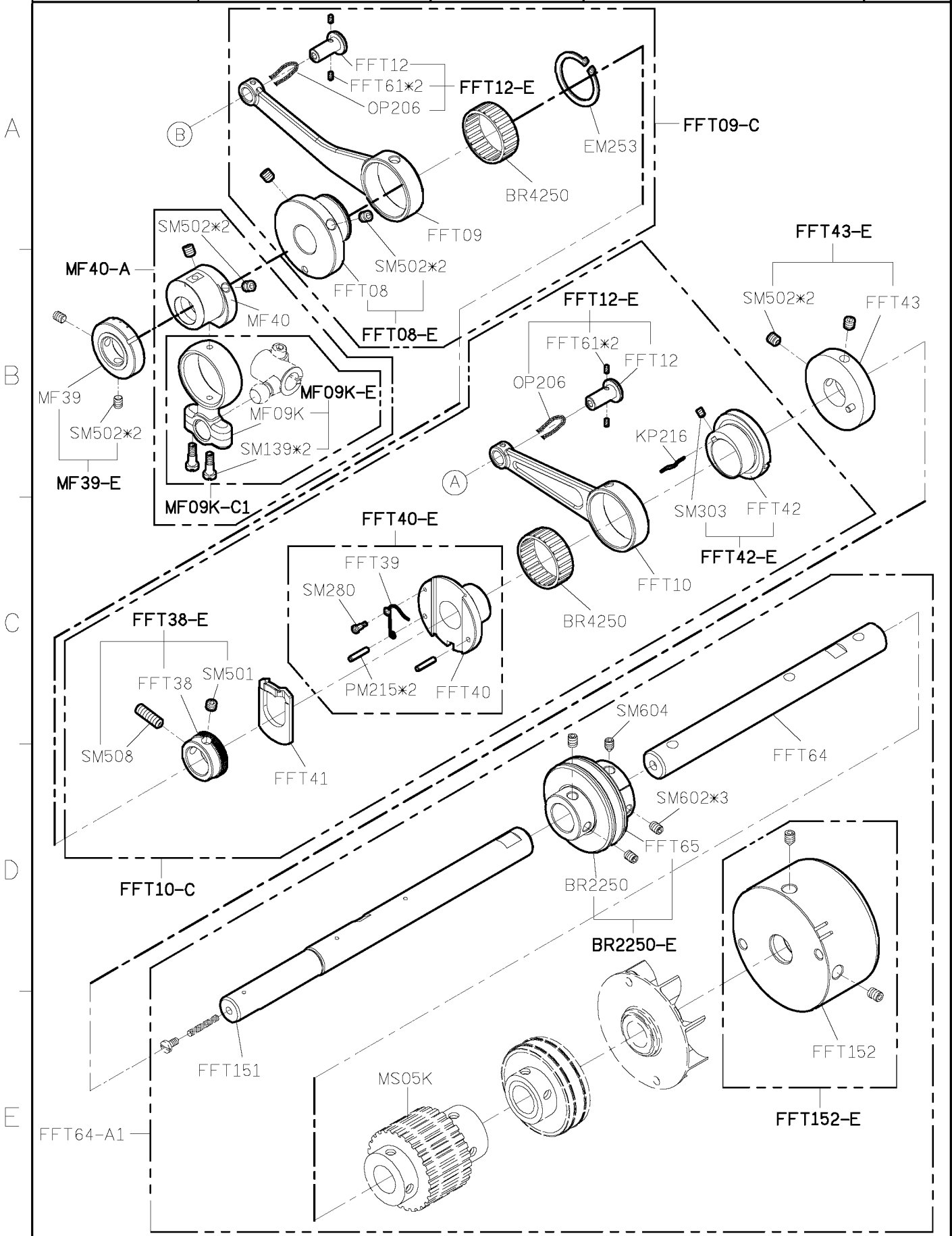
SIRUBA PARTS LIST	Series	Parts Group	Subclass / Remark	Page
	C007KD	FFT		1/7
				Date
				2012/12/25



<b>SIRUBA</b> <b>PARTS LIST</b>	<b>Series</b>	<b>Parts Group</b>	<b>Subclass / Remark</b>	<b>Page</b>
	<b>C007KD</b>	<b>FFT</b>		<b>2/7</b>
				<b>Date</b>
				<b>2012/12/25</b>

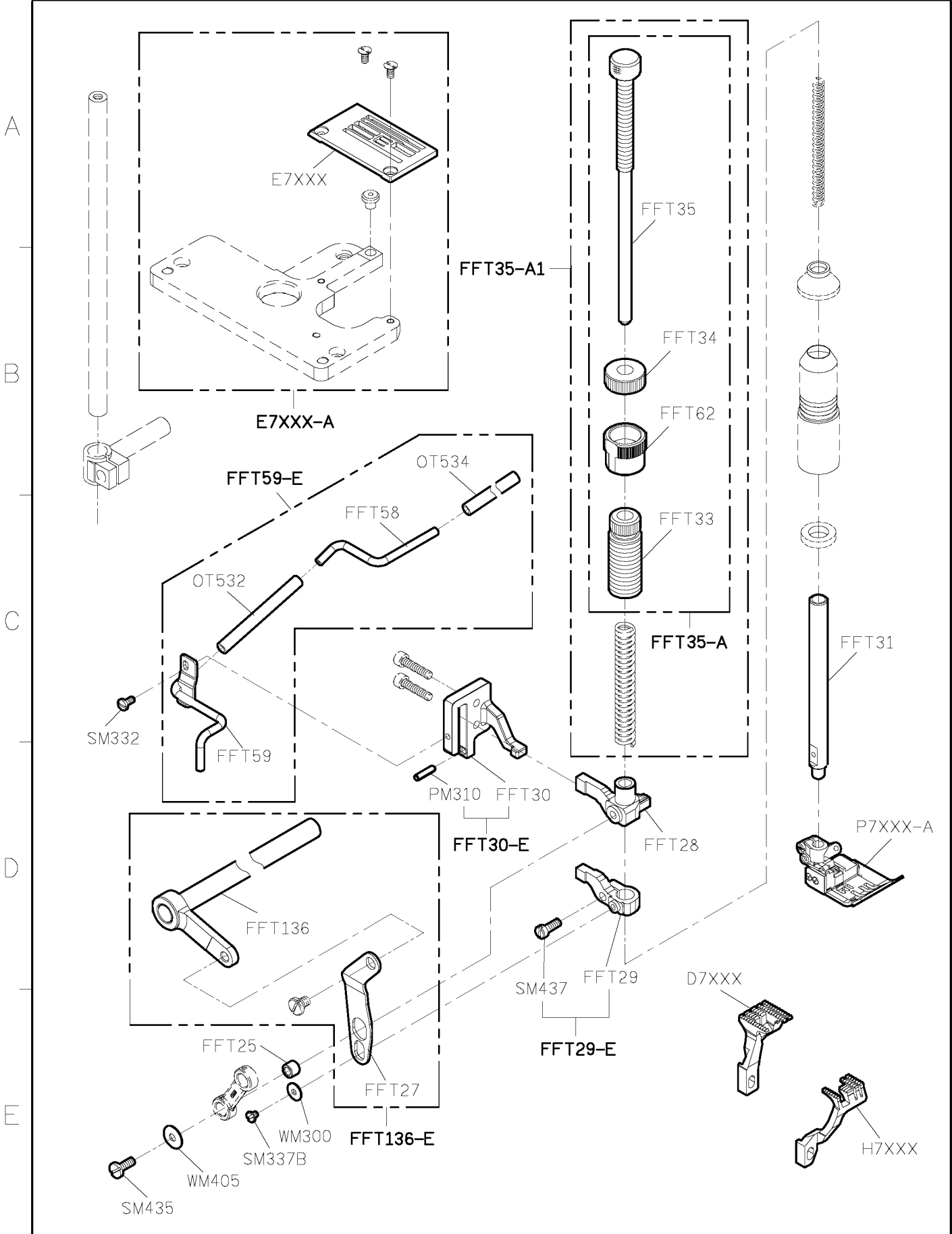


SIRUBA PARTS LIST	Series	Parts Group	Subclass / Remark	Page
	C007KD	FFT		3/7
				Date
				2012/12/25

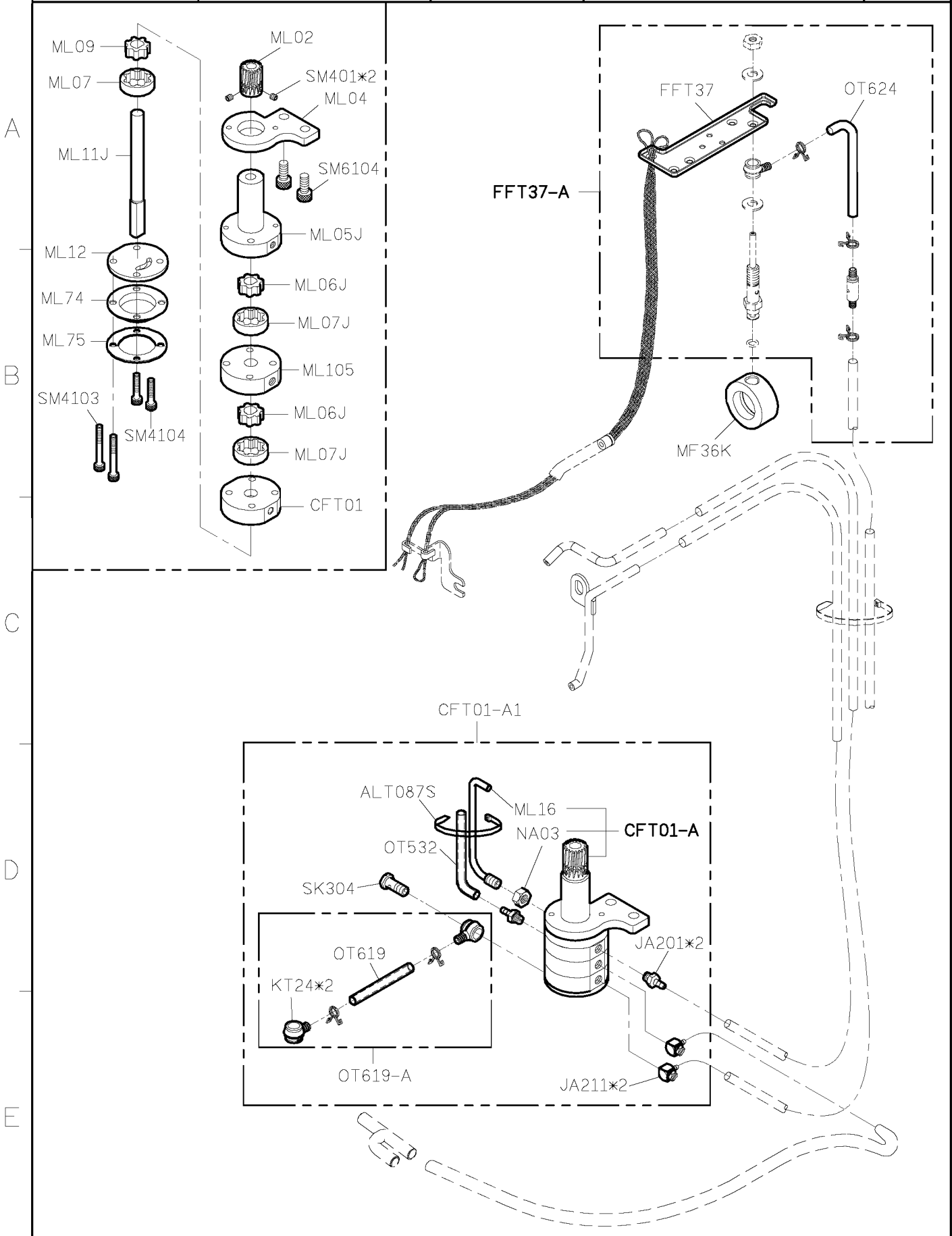




SIRUBA PARTS LIST	Series	Parts Group	Subclass / Remark	Page
	C007KD	FFT		4/7
				Date
				2012/12/25



<b>SIRUBA</b> <b>PARTS LIST</b>	Series	Parts Group	Subclass / Remark	Page
	C007KD	FFT		5/7
				Date
				2012/12/25



<b>SIRUBA</b> PARTS LIST	Series	Parts Group	Subclass / Remark	Page
	C007KD	<b>FFT</b>	Use for UT	6/7
				Date
				2013/01/08

A

ALT104S



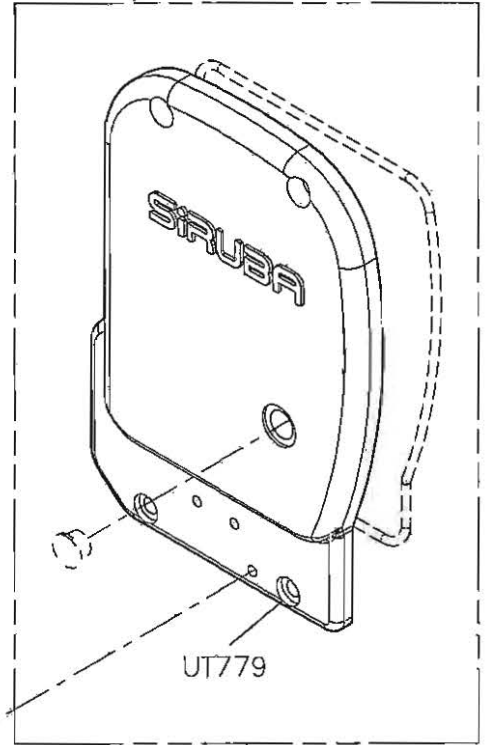
AC027-A1

B

C

D

E



UT779

UT779-A

SM432\*2

UT778

1

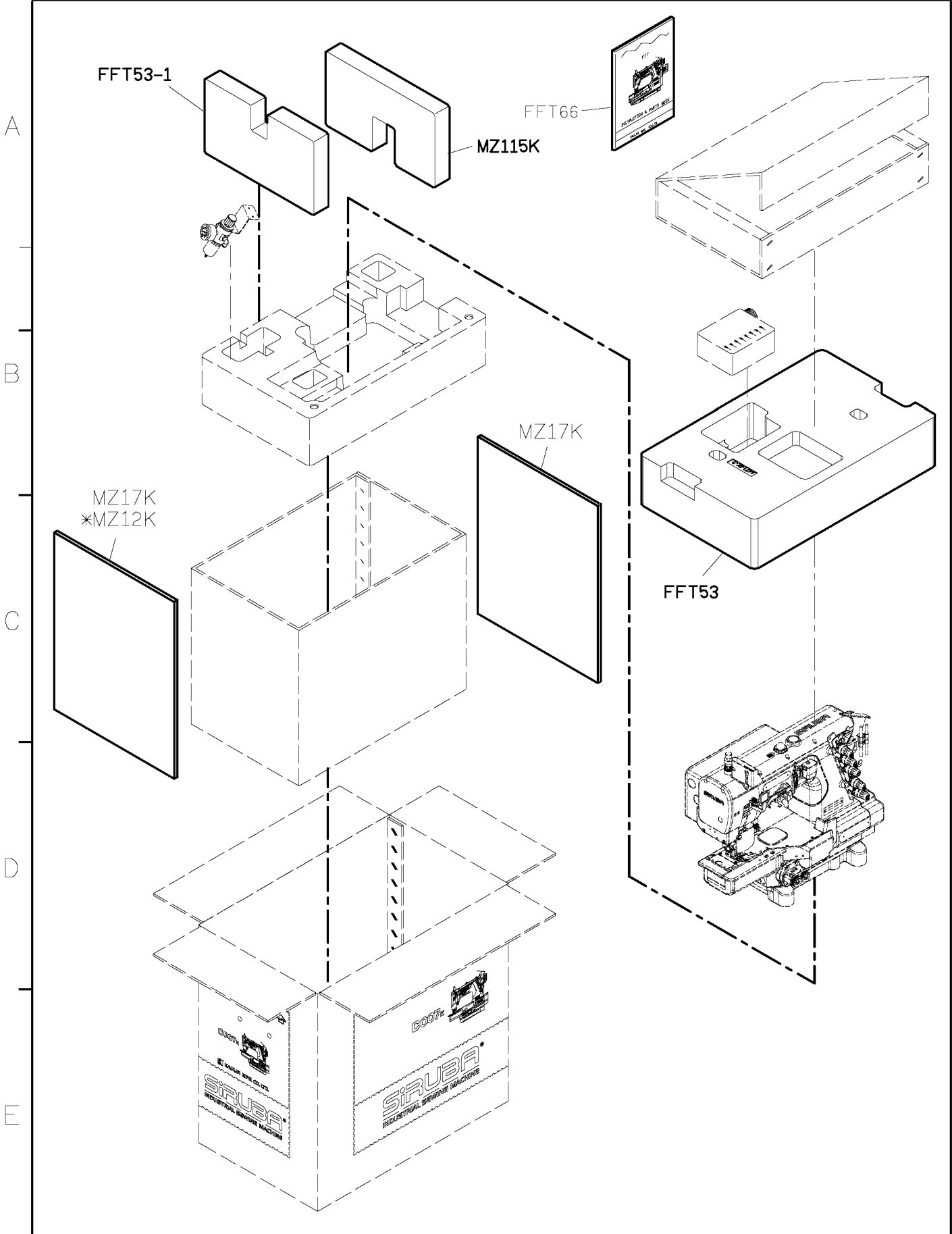
2

3

4

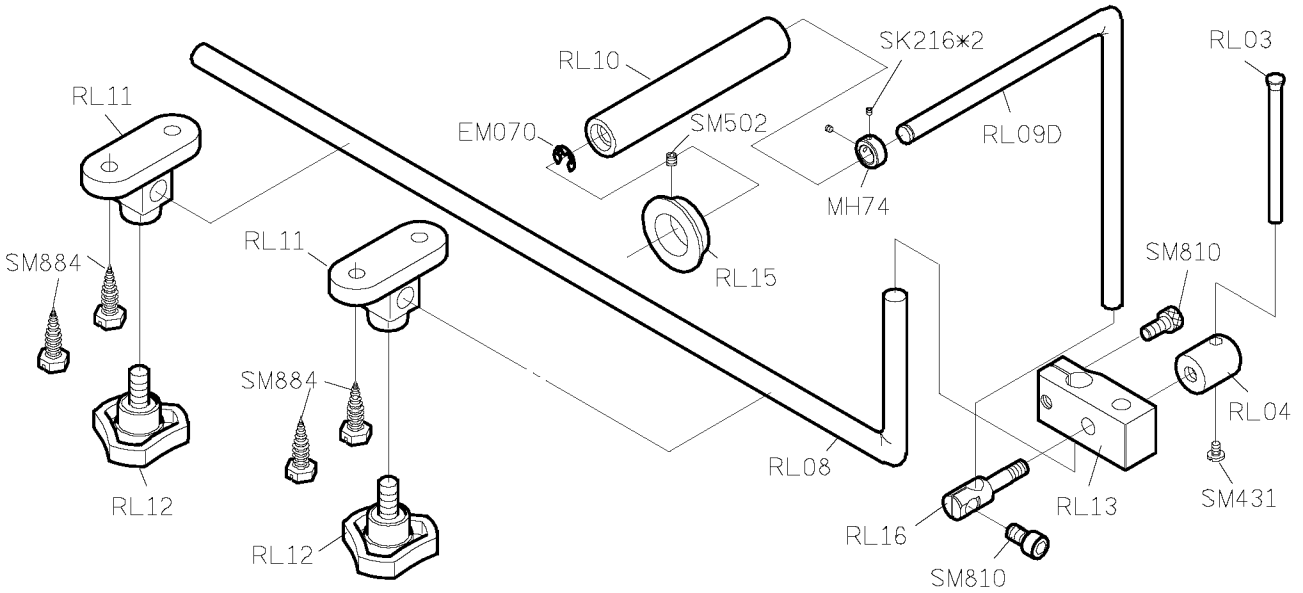
5

SIRUBA PARTS LIST	Series	Parts Group	Subclass / Remark	Page
	C007KD	FFT	* Use for UT	7/7
				Date
				2012/12/25



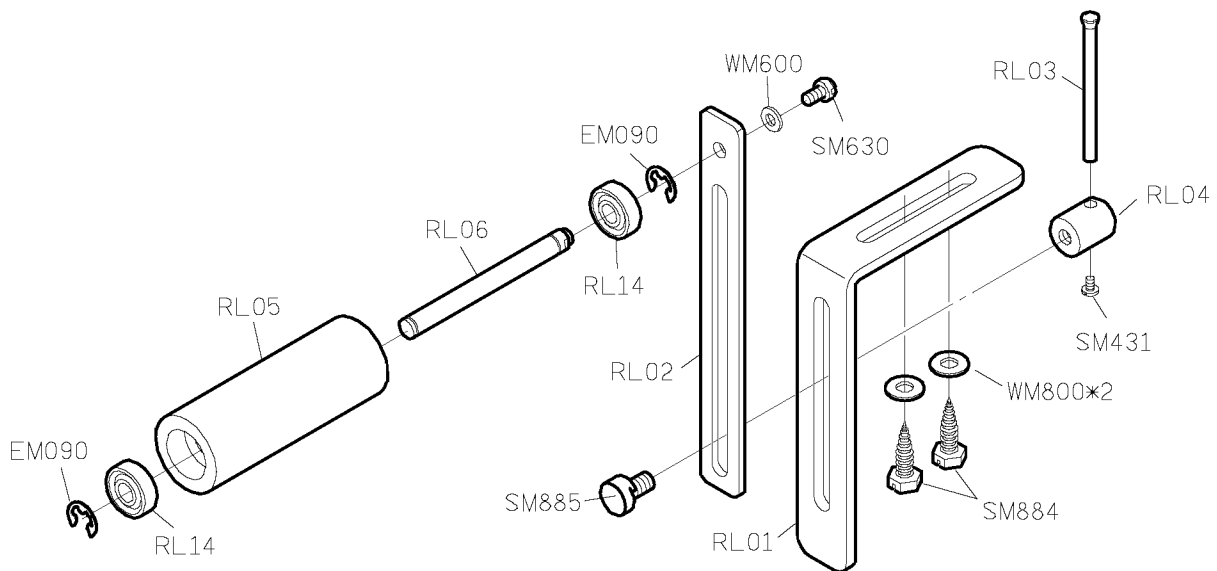
SIRUBA PARTS LIST	Series	Parts Group	Subclass / Remark	Page
	C007K/C007KD	RL		1/1
	C858K/C858KD			Date
	2013/01/09			

A



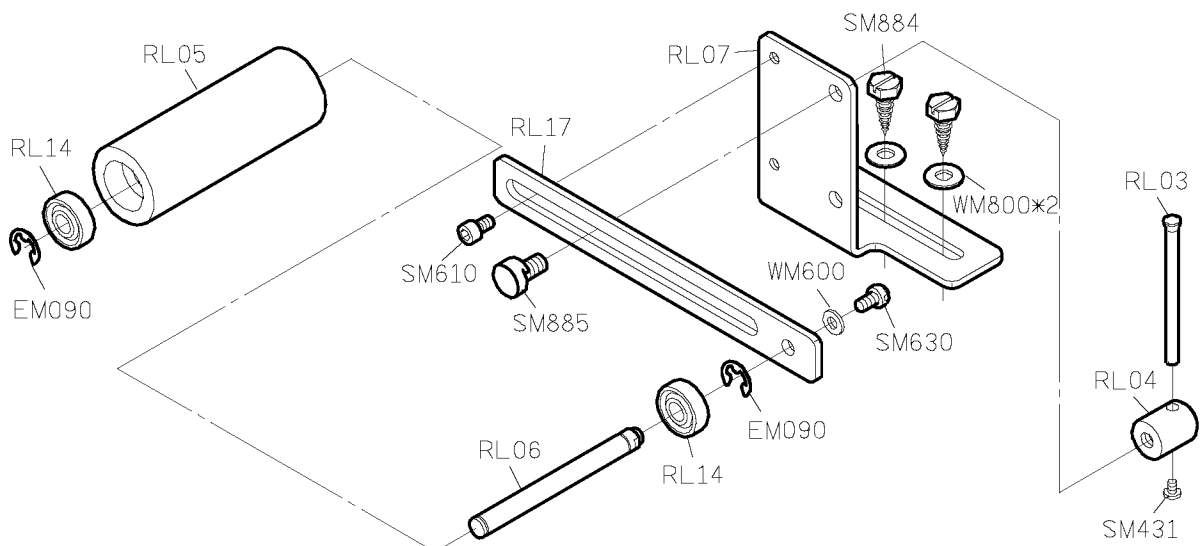
B

C

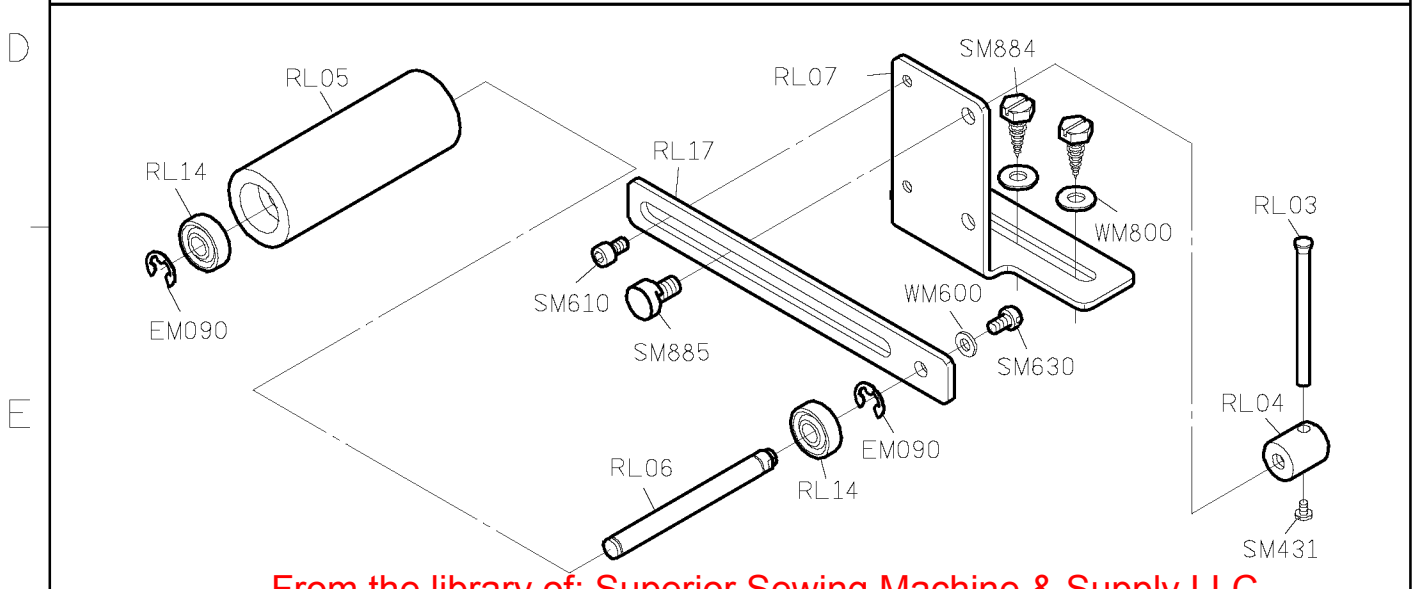
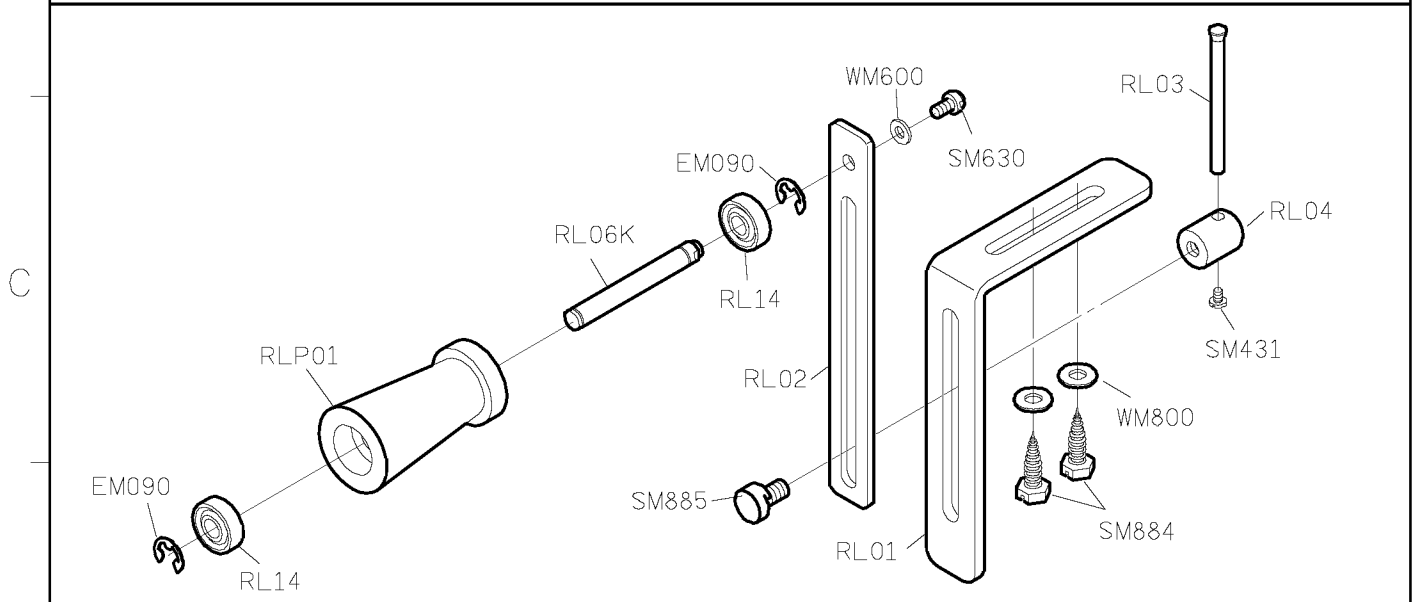
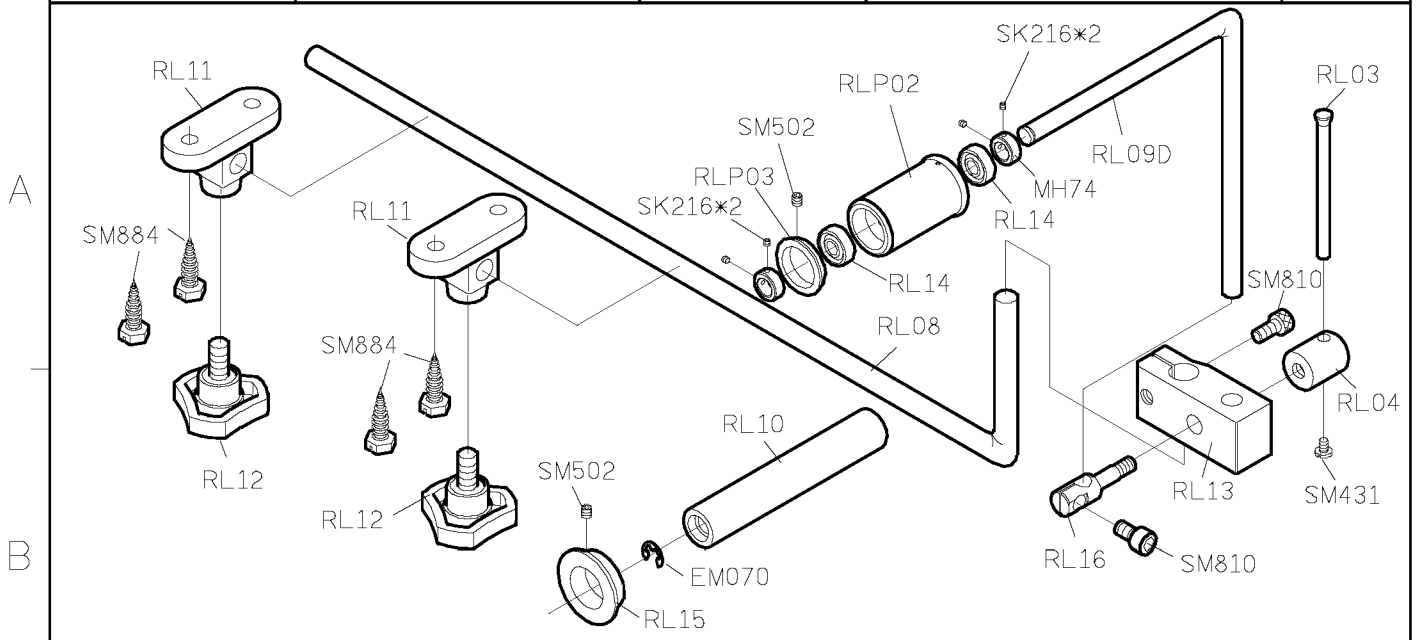


D

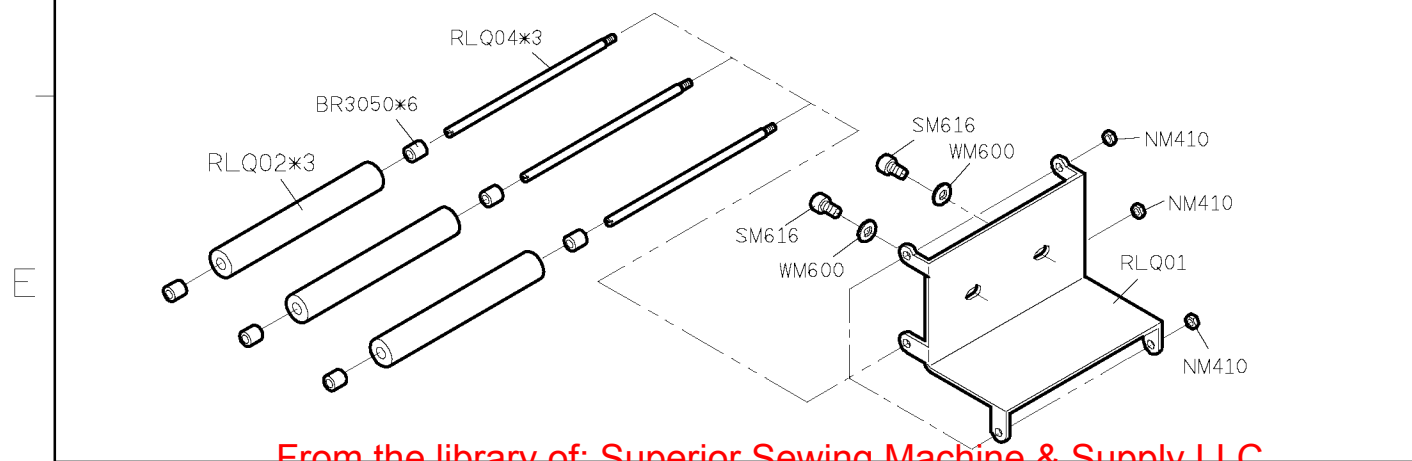
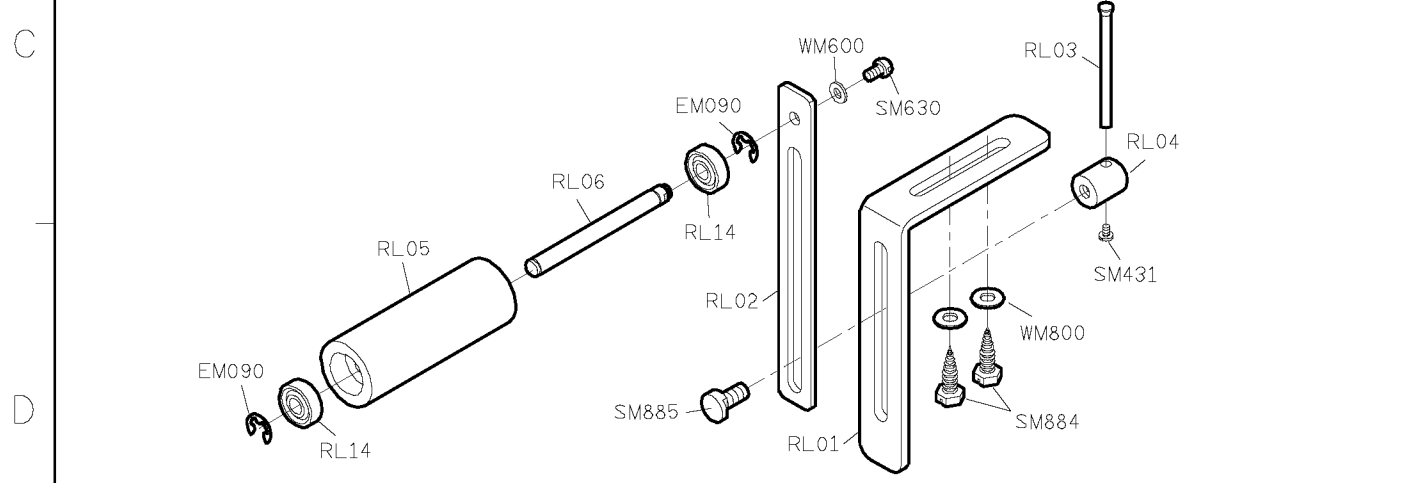
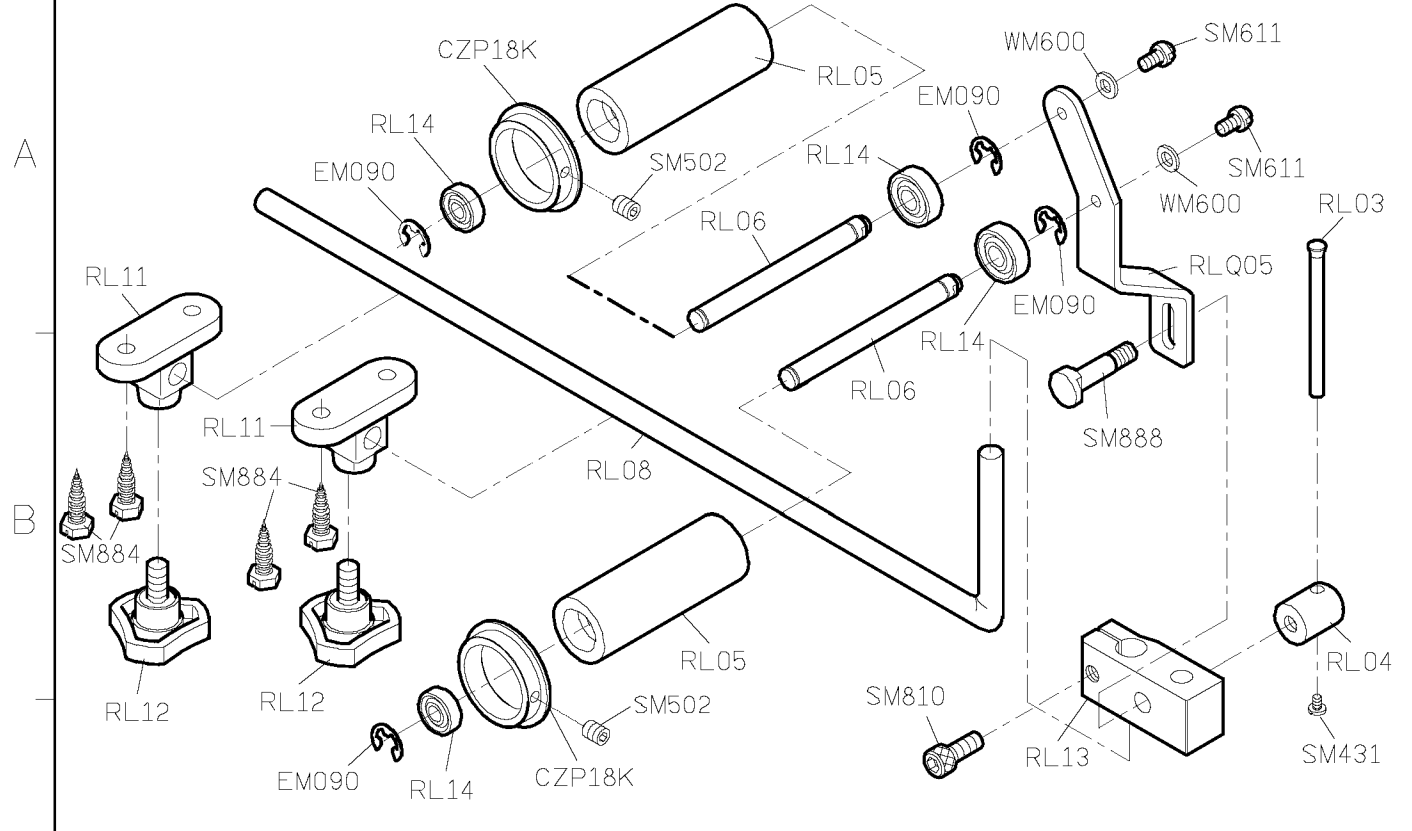
E



SIRUBA PARTS LIST	Series	Parts Group	Subclass / Remark	Page
	C007K/C007KD	RLP		1/1
	C858K/C858KD			Date
	2013/01/09			



SIRUBA PARTS LIST	Series	Parts Group	Subclass / Remark	Page
	C007K/C007KD	RLQ-K		1/1
	C858K/C858KD			Date
			2012/11/01	



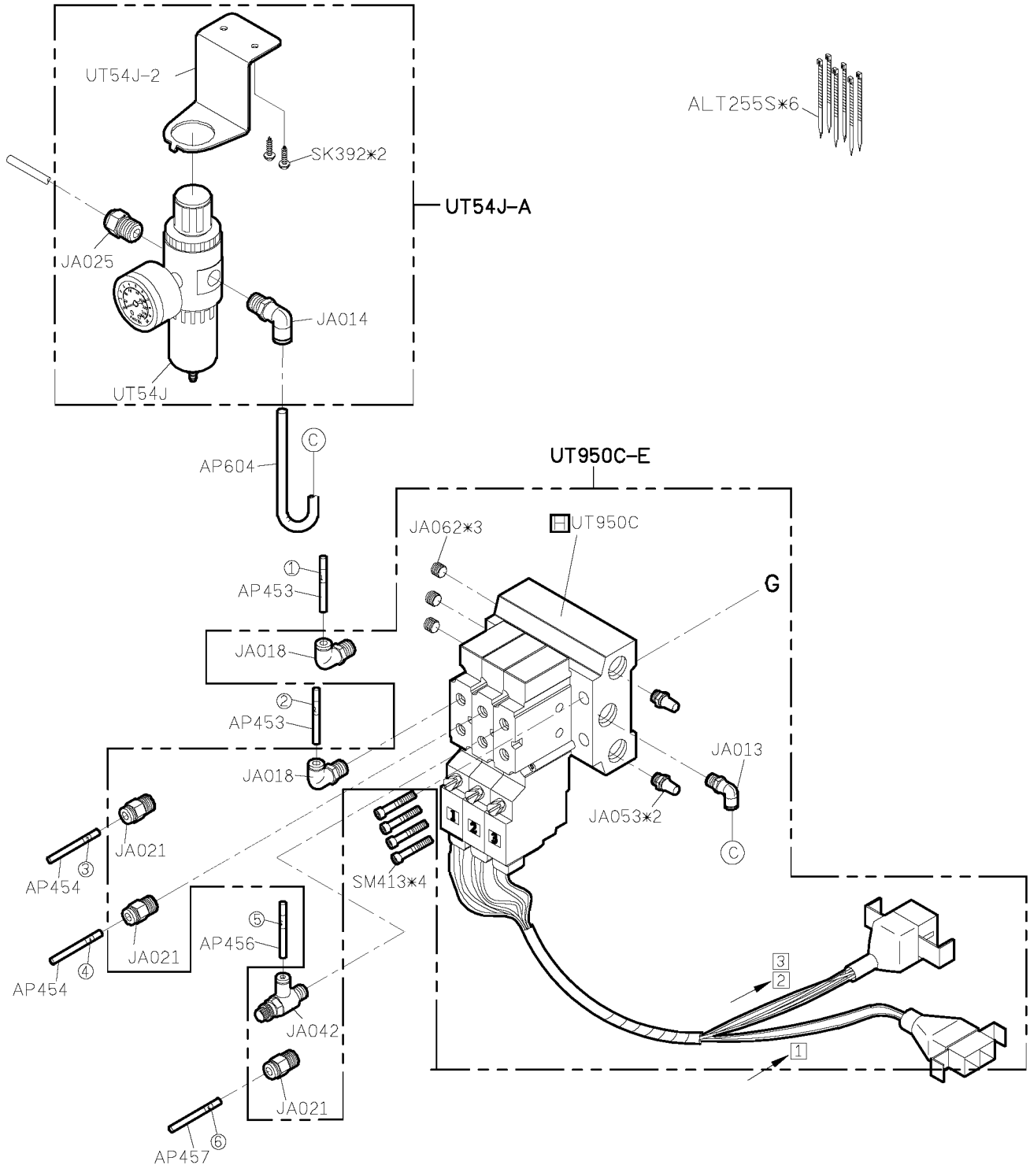






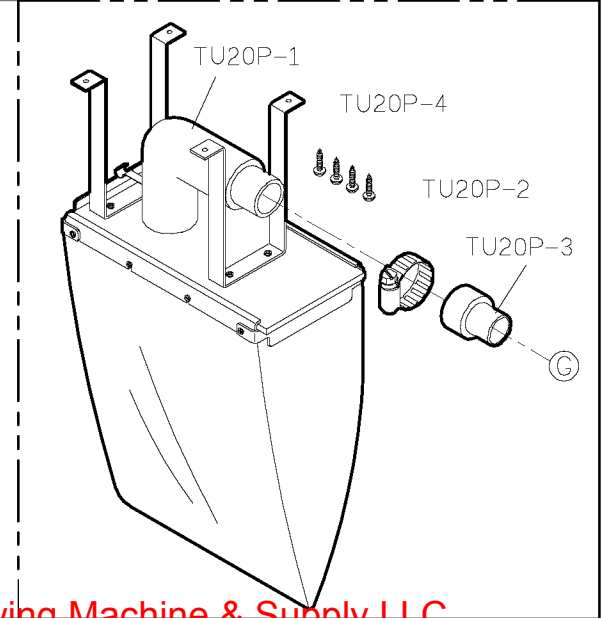
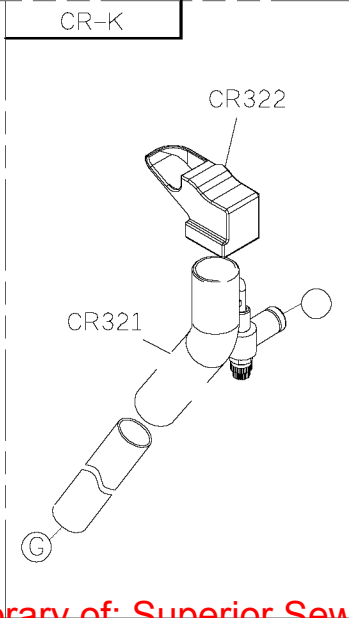
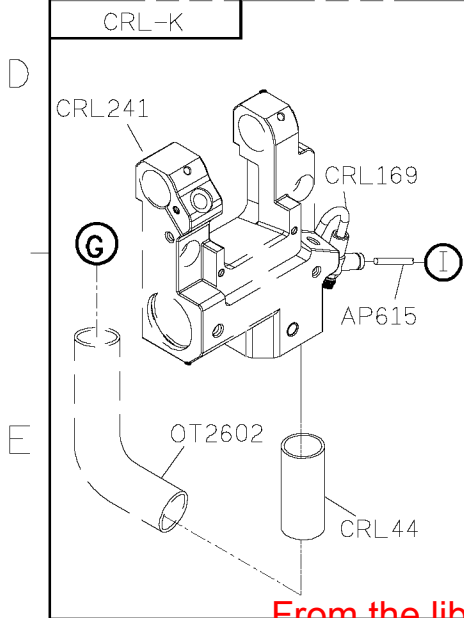
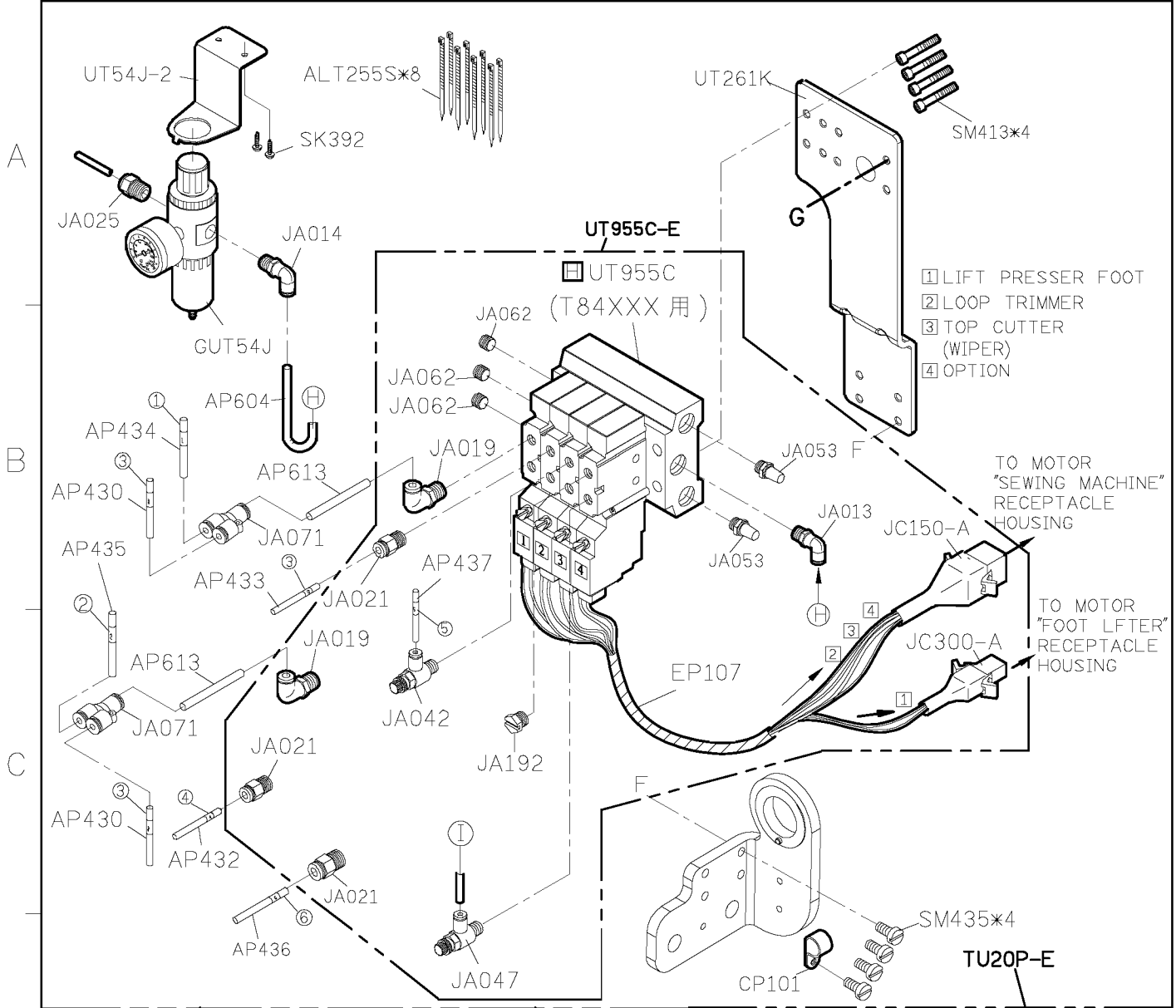
SIRUBA PARTS LIST	Series	Parts Group	Subclass / Remark	Page
	C007K/C007KD C858K/C858KD	UTP(UTQ)-K	☐ : Use for H brand motor	3/11
				Date 2013/01/09

A  
B  
C  
D  
E



- ① LIFT PRESSER FOOT
- ② LOOP TRIMMER
- ③ TOP CUTTER (WIPER)

SIRUBA PARTS LIST	Series	Parts Group	Subclass / Remark	Page
	C007K/C007KD C858K/C858KD	UTP(UTQ)-K	☐ : Use for H brand motor	4/11
				Date 2012/11/01



SIRUBA PARTS LIST	Series	Parts Group	Subclass / Remark	Page
	C007K/C007KD C858K/C858KD	UTP(UTQ)-K	For C007K/C858K	5/11
				Date 2012/11/01

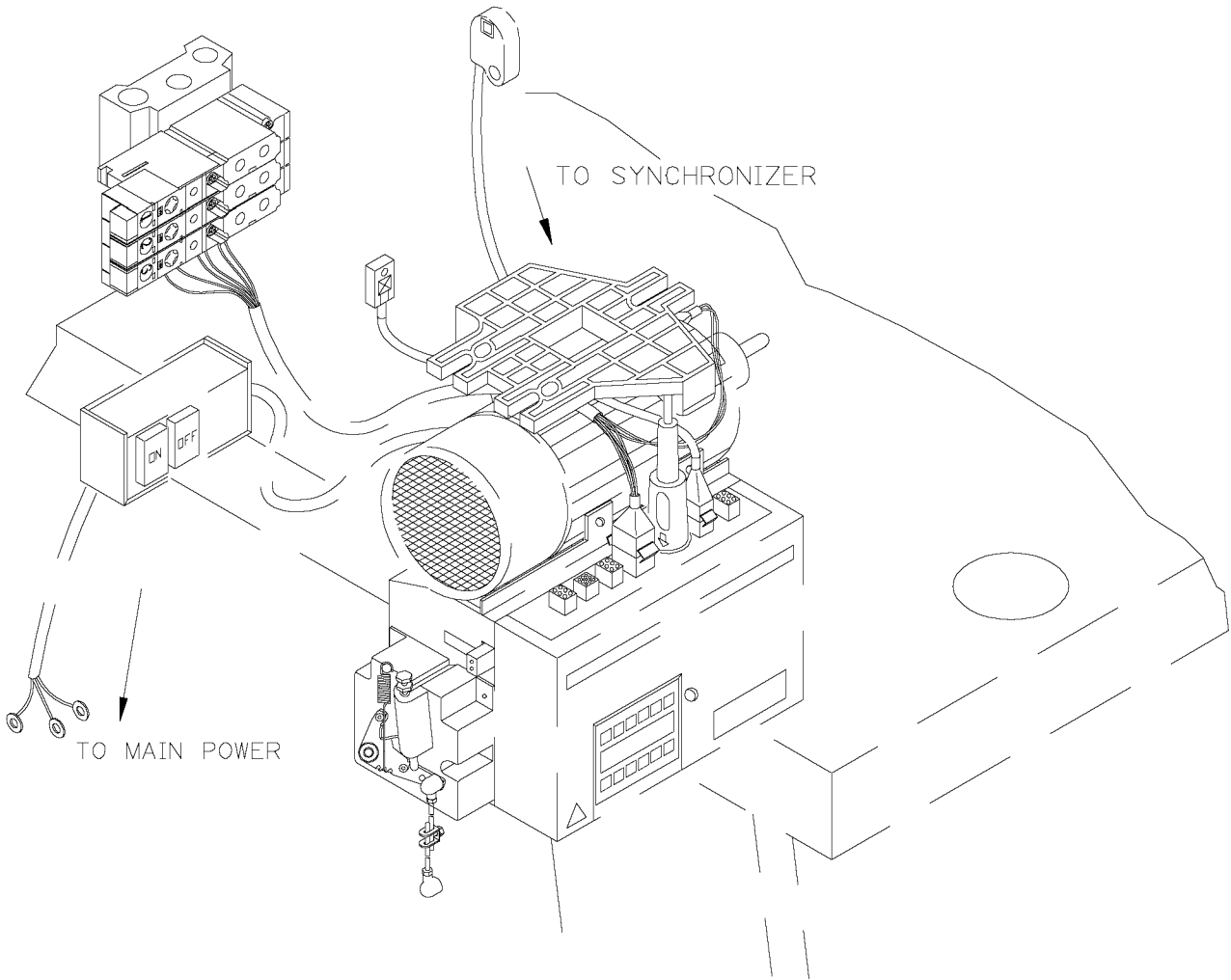
A

B

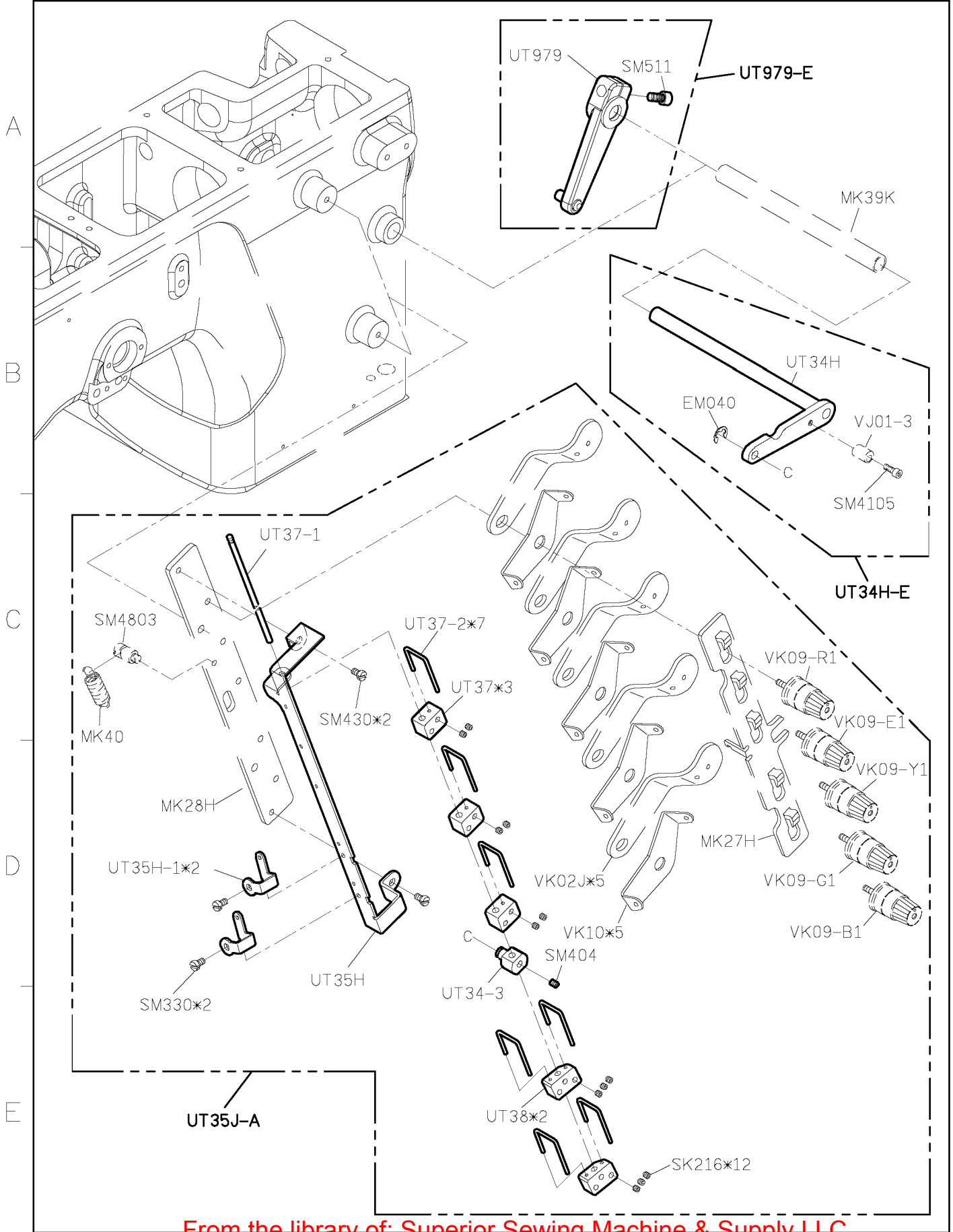
C

D

E



SIRUBA PARTS LIST	Series	Parts Group	Subclass / Remark	Page
	C007K/C007KD	UTP(UTQ)-K		8/11
	C858K/C858KD			Date
				2012/12/18



SIRUBA PARTS LIST	Series	Parts Group	Subclass / Remark	Page
	C007K/C007KD	UTQ-K		7/11
	C858K/C858KD			Date
				2012/11/01

A

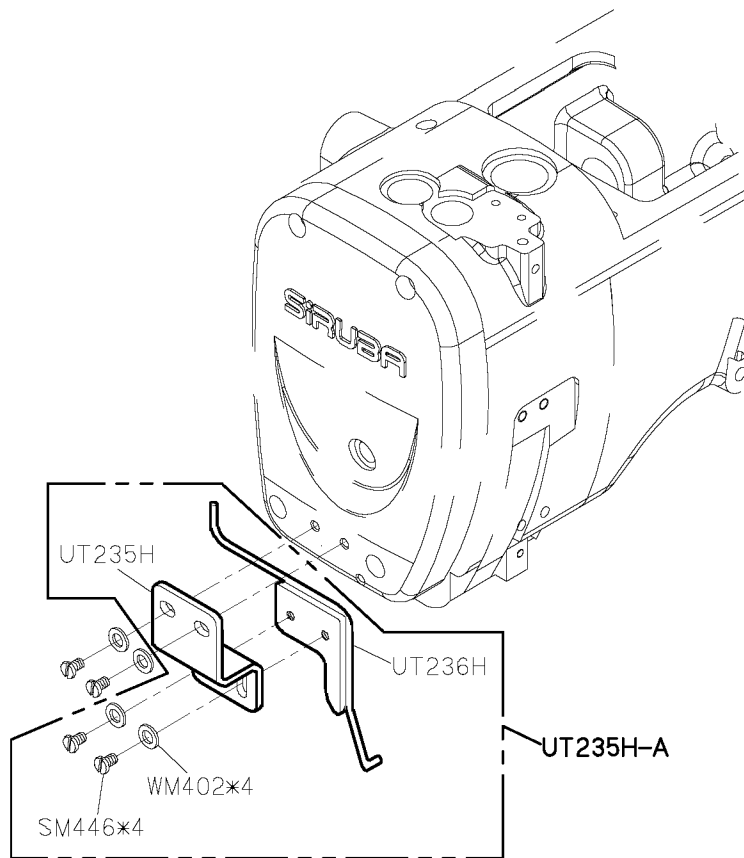
B

C

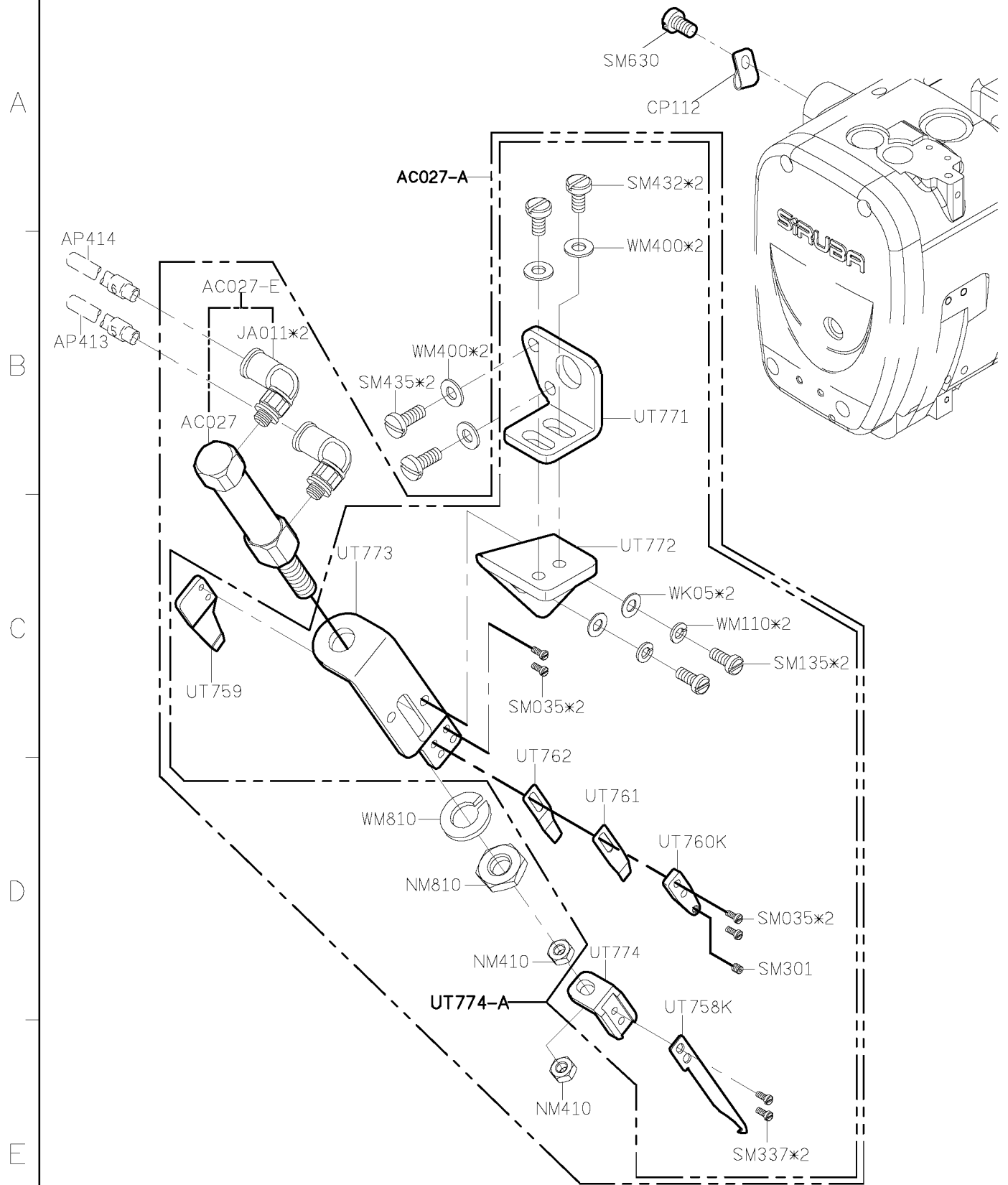
D

E

FOR LEFT SIDE

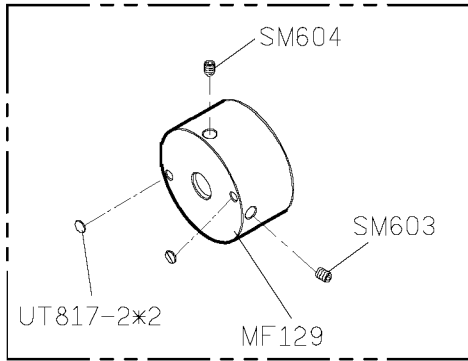


SIRUBA PARTS LIST	Series	Parts Group	Subclass / Remark	Page
	C007K/C007KD	UTP-K		8/11
	C858K/C858KD			Date
				2012/11/01





SIRUBA PARTS LIST	Series	Parts Group	Subclass / Remark	Page
	C007K/C007KD C858K/C858KD	UTP(UTQ)-K	For C007K/C858K ☐ : Use for H brand motor	9/11
				Date
				2012/11/01



UT818J-A

☐ UT815

SM4054

UT816

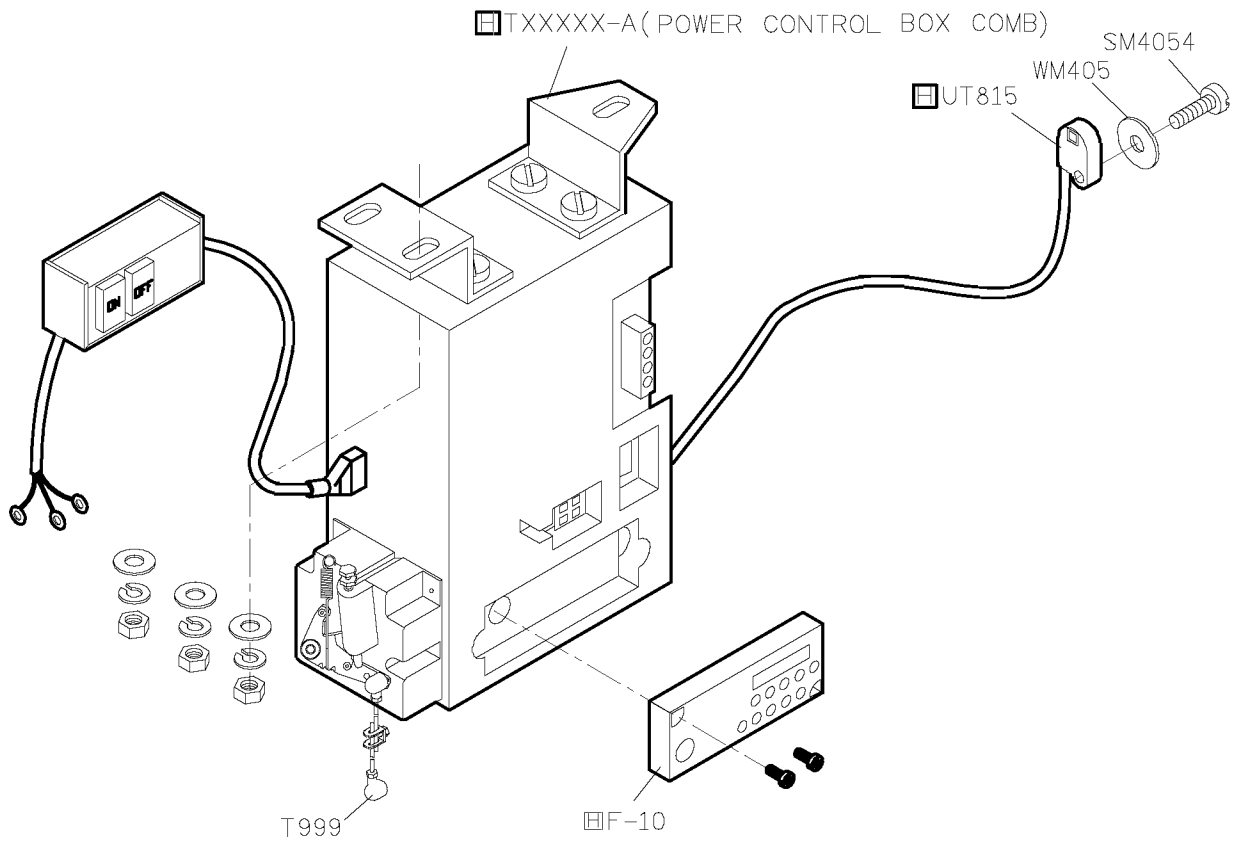
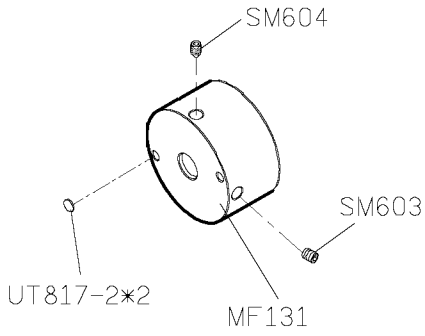
TO SYNCHRONIZER

TO MAIN POWER

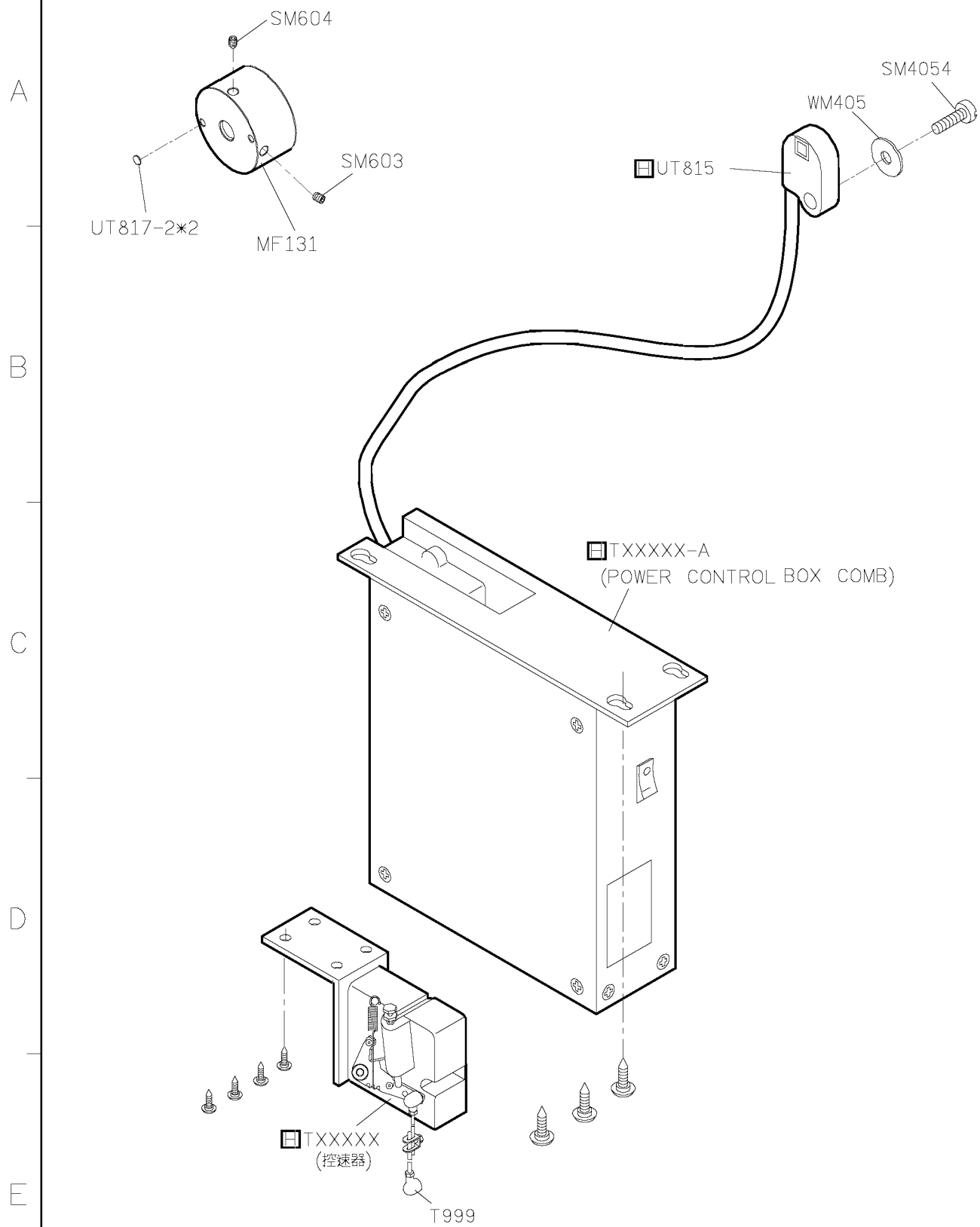
TXXXXX

T999

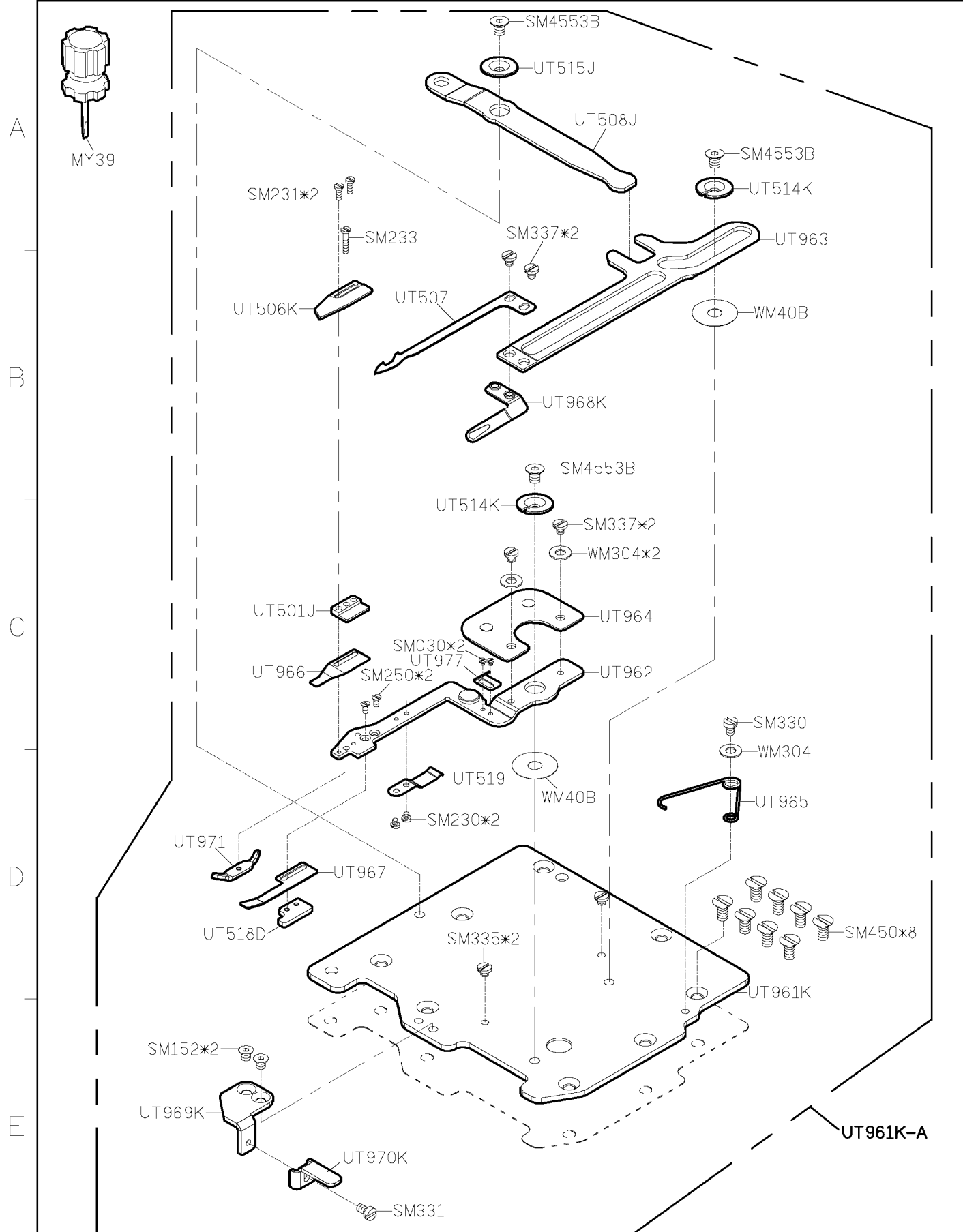
SIRUBA PARTS LIST	Series	Parts Group	Subclass / Remark	Page
	C007K/C007KD C858K/C858KD	UTP(UTQ)-K	For C007KD/C858KD	10/11
			☐ : Use for H brand motor	Date
				2012/11/01



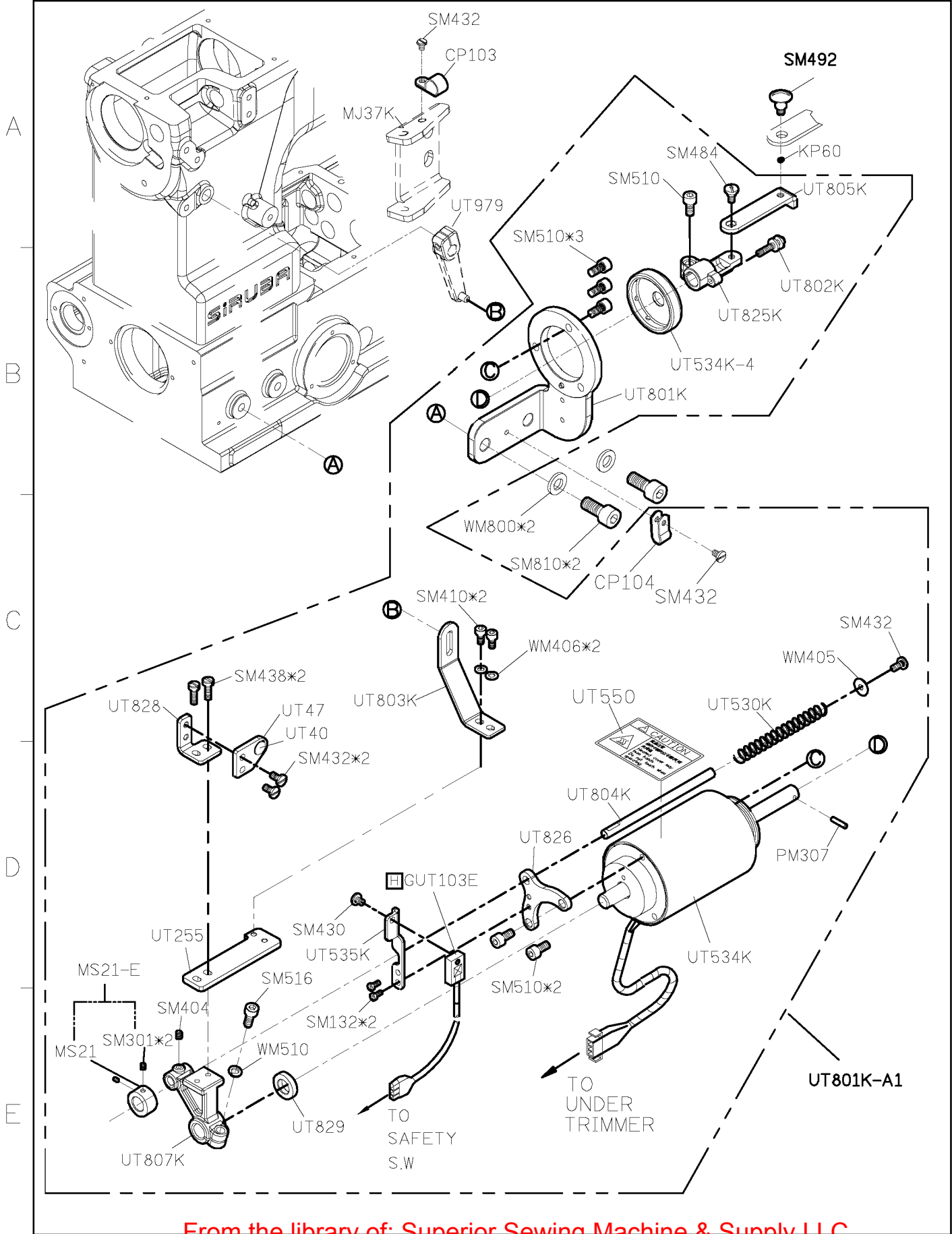
SIRUBA PARTS LIST	Series	Parts Group	Subclass / Remark	Page
	C007K/C007KD C858K/C858KD	UTP(UTQ)-K	For C007KD/C858KD	11/11
			☐ : Use for H brand motor (HVP-70)	Date
				2012/11/01



SIRUBA PARTS LIST	Series	Parts Group	Subclass / Remark	Page
	C007K/C007KD	UTR(UTS)-K		1/11
	C858K/C858KD			Date
				2012/11/01

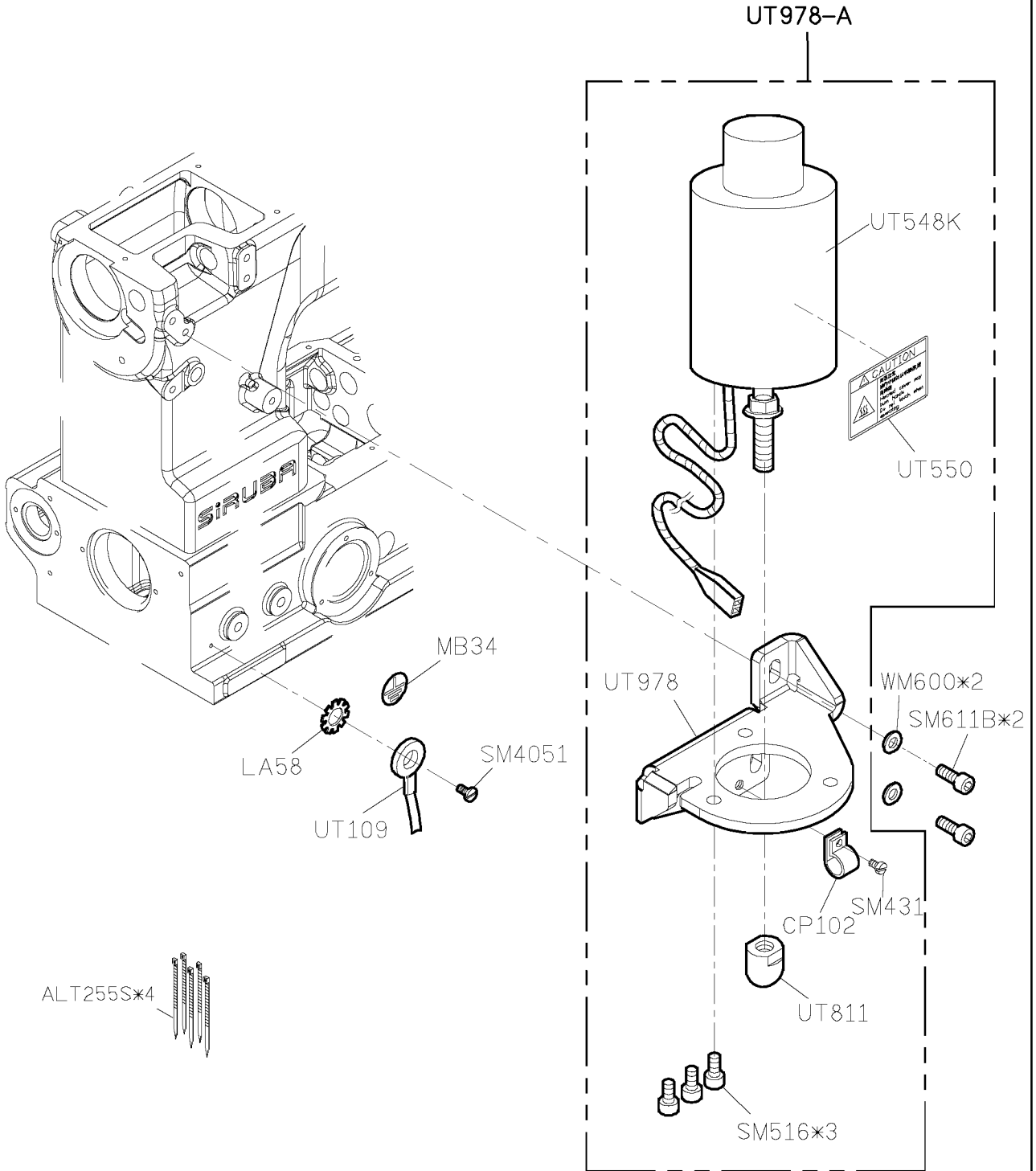


SIRUBA PARTS LIST	Series	Parts Group	Subclass / Remark	Page
	C007K/C007KD	UTR(UTS)-K	☐ : Use for H brand motor	2/11
	C858K/C858KD			Date
				2012/12/18



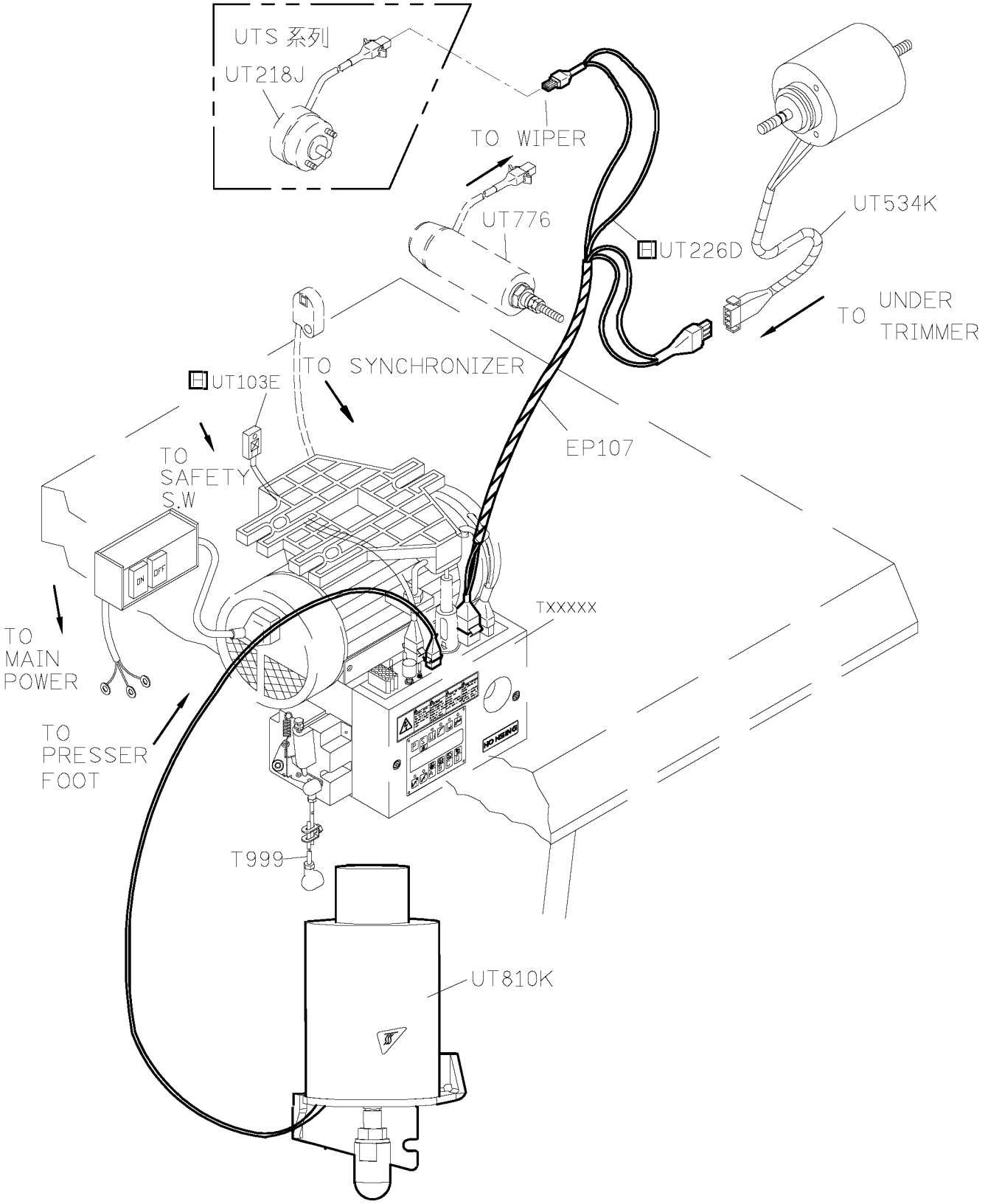
SIRUBA PARTS LIST	Series	Parts Group	Subclass / Remark	Page
	C007K/C007KD	UTR(UTS)-K	☐ : Use for H brand motor	3/11
	C858K/C858KD			Date
	2012/01/09			

A  
B  
C  
D  
E



SIRUBA PARTS LIST	Series	Parts Group	Subclass / Remark	Page
	C007K/C007KD C858K/C858KD	UTR(UTS)-K	For C007K/C858K	4/11
			<input type="checkbox"/> : Use for H brand motor	Date
				2012/11/01

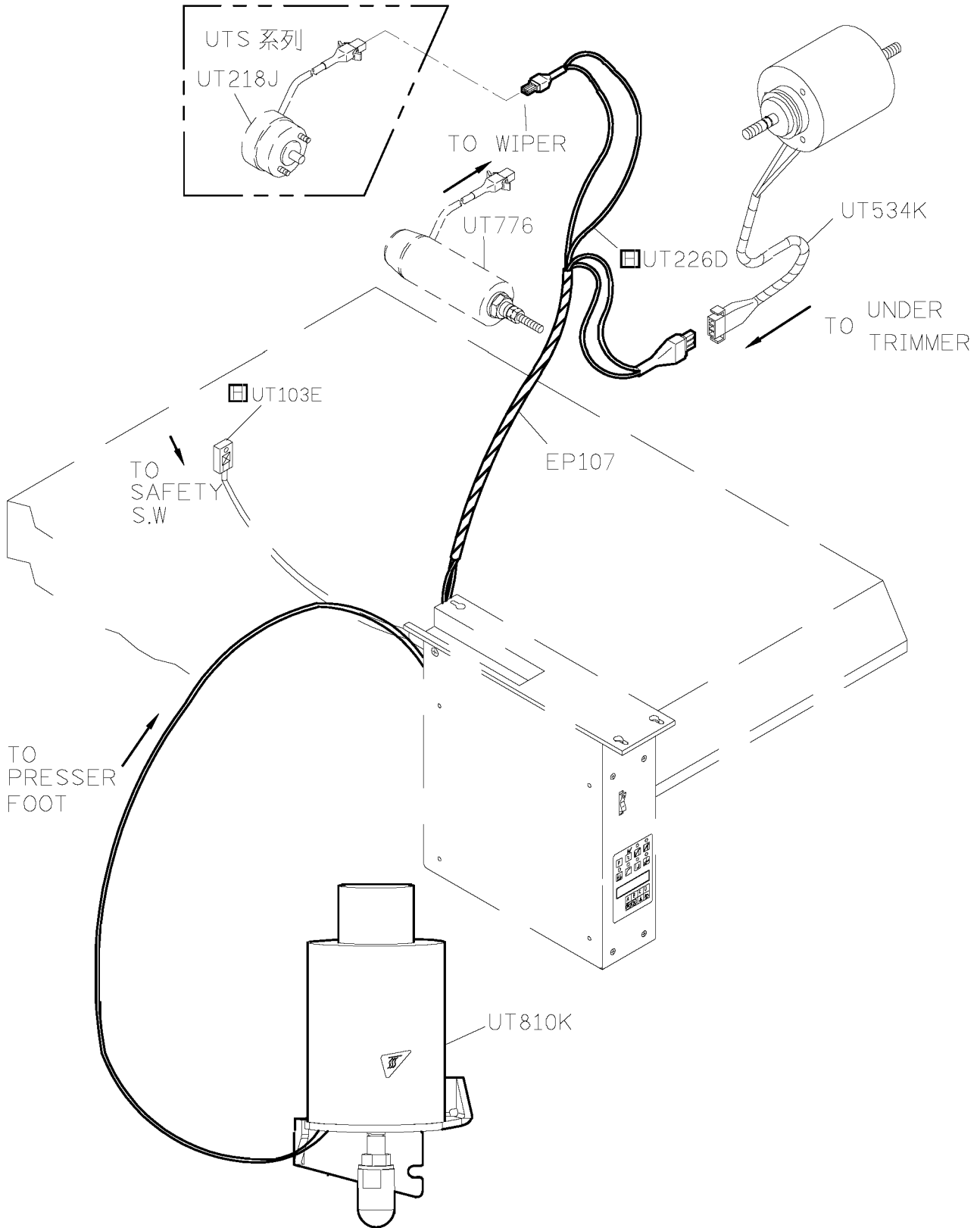
A  
B  
C  
D  
E



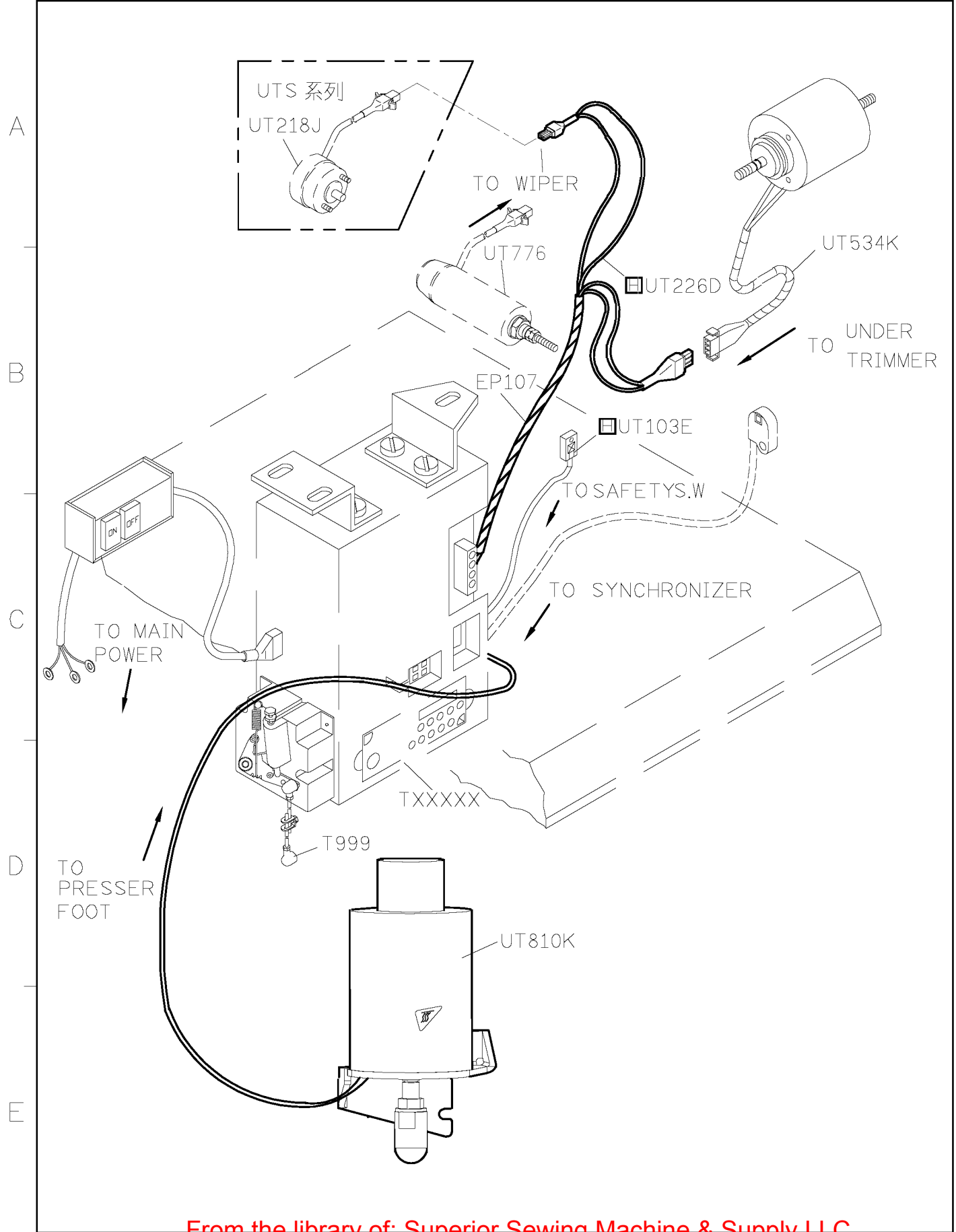


SIRUBA PARTS LIST	Series	Parts Group	Subclass / Remark	Page
	C007K/C007KD C858K/C858KD	UTR(UTS)-K	For C007KD/C858KD ☐ : Use for H brand motor (HVP-70)	5/11
				Date
				2012/11/01

A  
B  
C  
D  
E

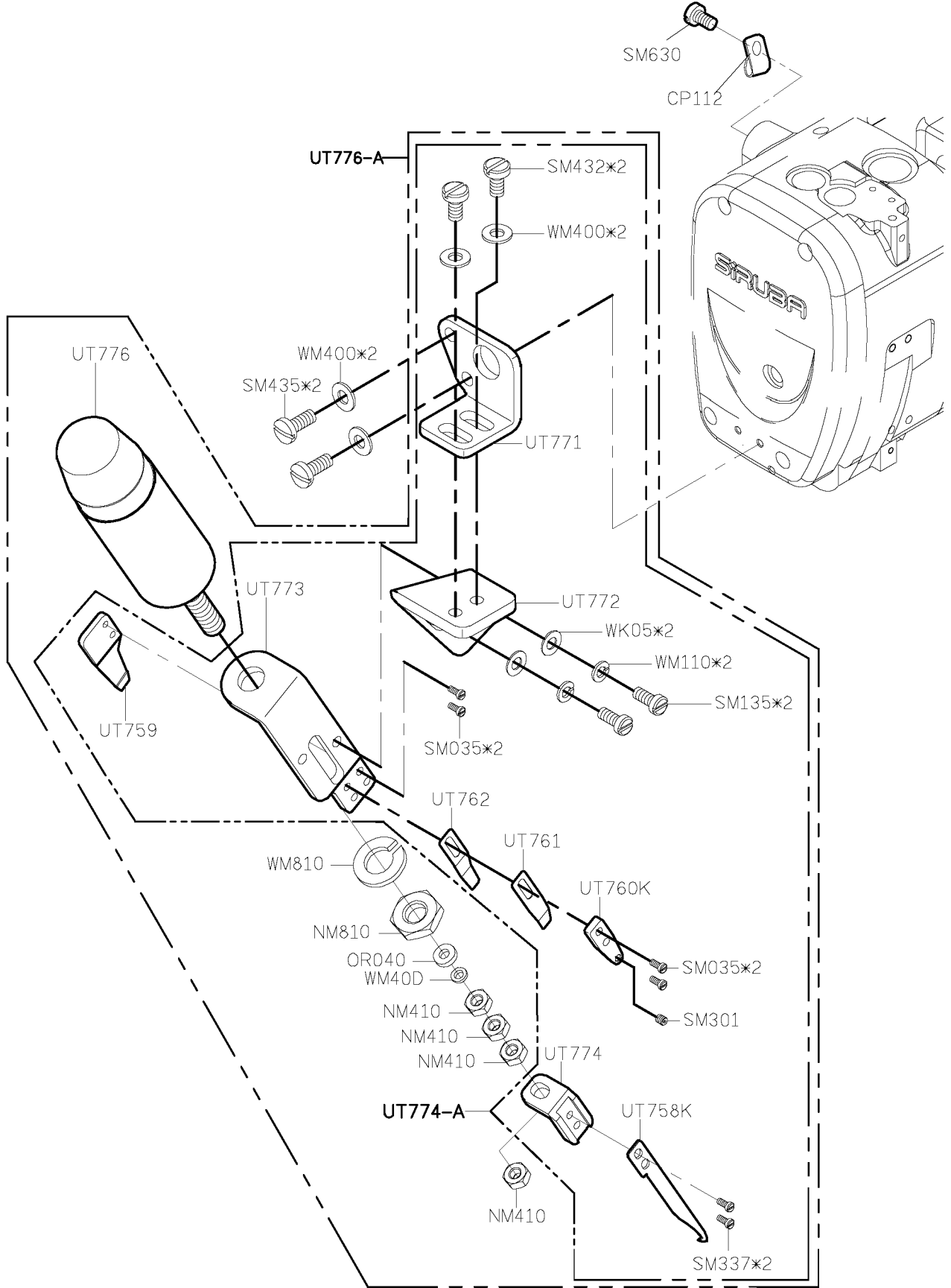


SIRUBA PARTS LIST	Series	Parts Group	Subclass / Remark	Page
	C007K/C007KD C858K/C858KD	UTR(UTS)-K	For C007KD/C858KD	8/11
			☐ : Use for H brand motor (HVP-20)	Date
				2012/11/01



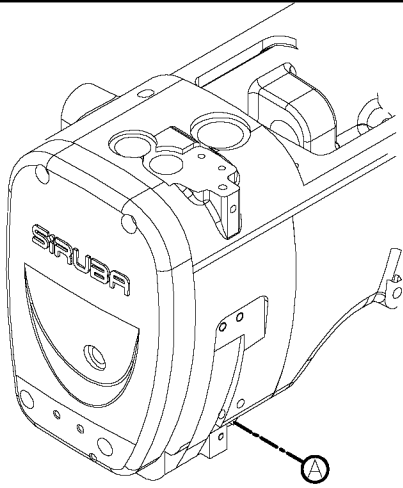
SIRUBA PARTS LIST	Series	Parts Group	Subclass / Remark	Page
	C007K/C007KD	UTR-K		7/11
	C858K/C858KD			Date
				2012/11/01

A  
B  
C  
D  
E



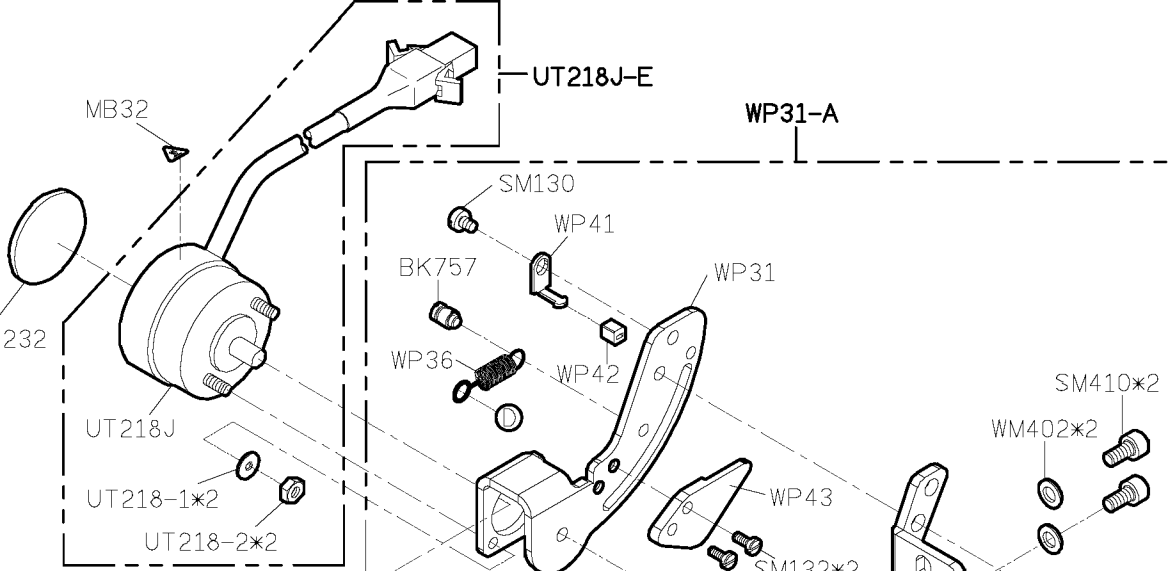
SIRUBA PARTS LIST	Series	Parts Group	Subclass / Remark	Page
	C007K/C007KD	UTS-K		8/11
	C858K/C858KD			Date
				2012/11/01

A



UT218J-A1

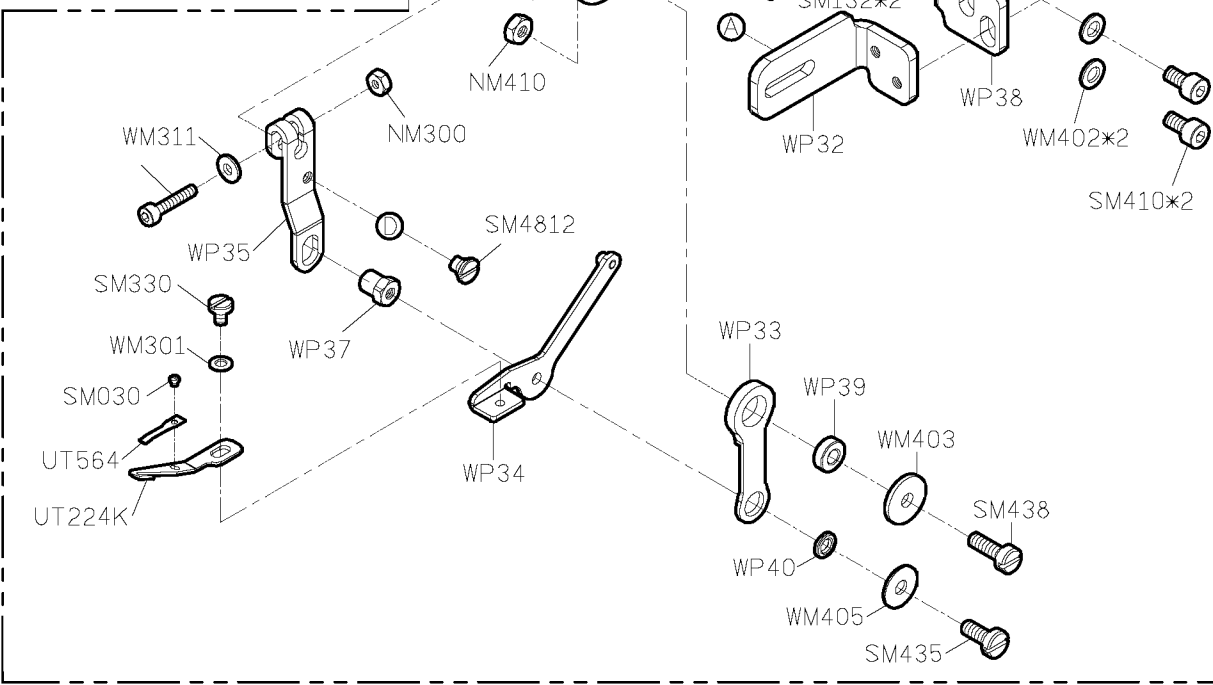
B



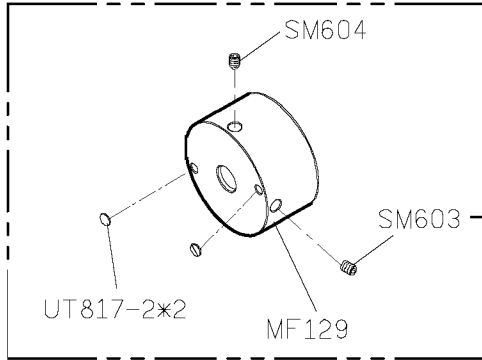
C

D

E



SIRUBA PARTS LIST	Series	Parts Group	Subclass / Remark	Page
	C007K/C007KD C858K/C858KD	UTR(UTS)-K	For C007K/C858K	9/11
			<input type="checkbox"/> : Use for H brand motor	Date
				2012/11/01



UT818J-A

UT815

SM4054

UT816

TO SYNCHRONIZER

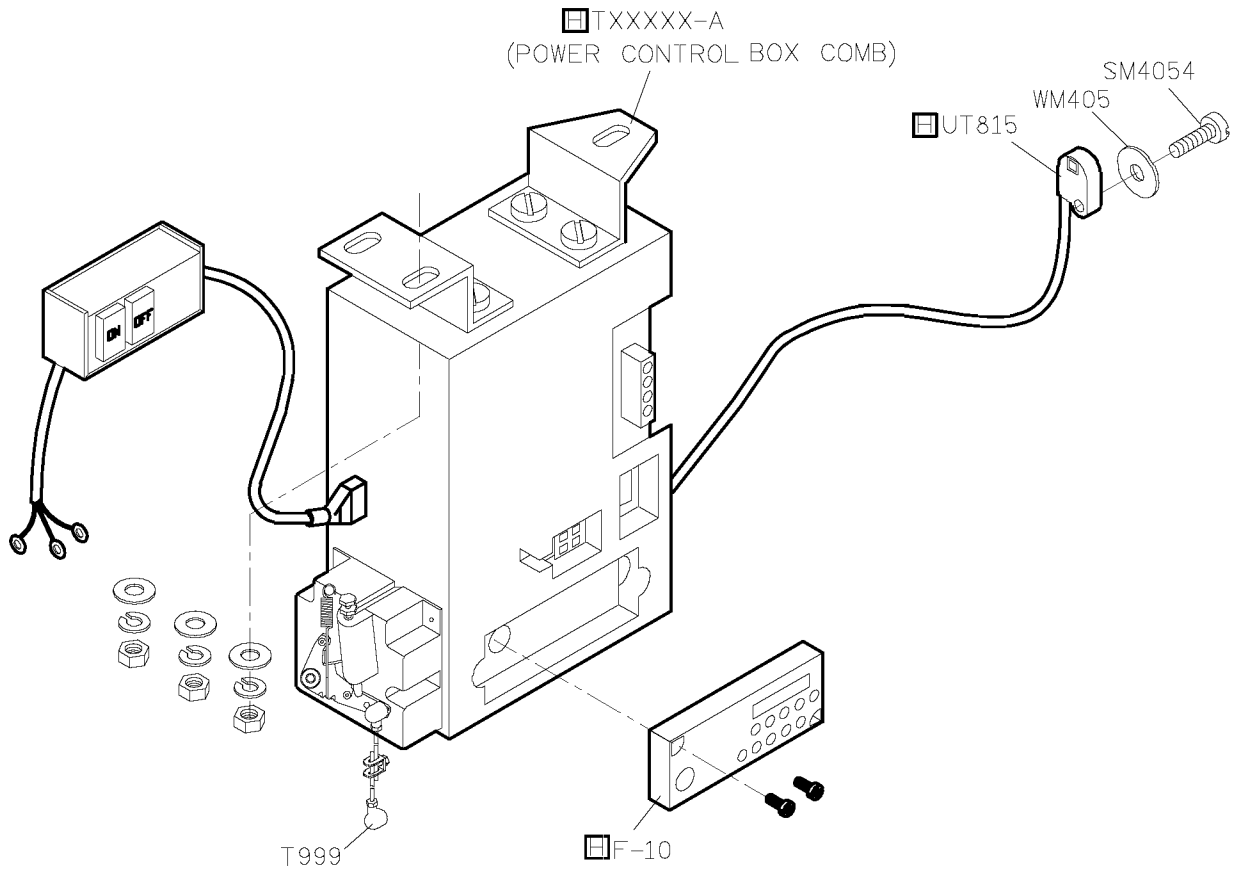
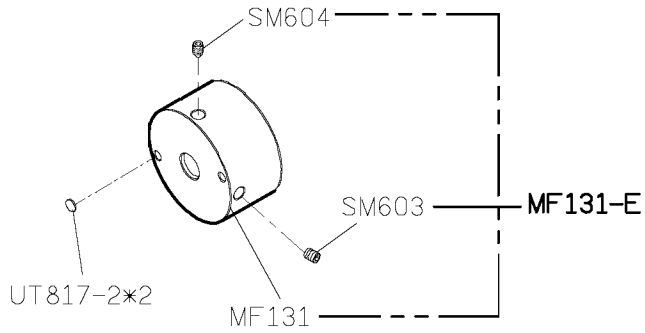
TO MAIN POWER

TXXXXX

T999

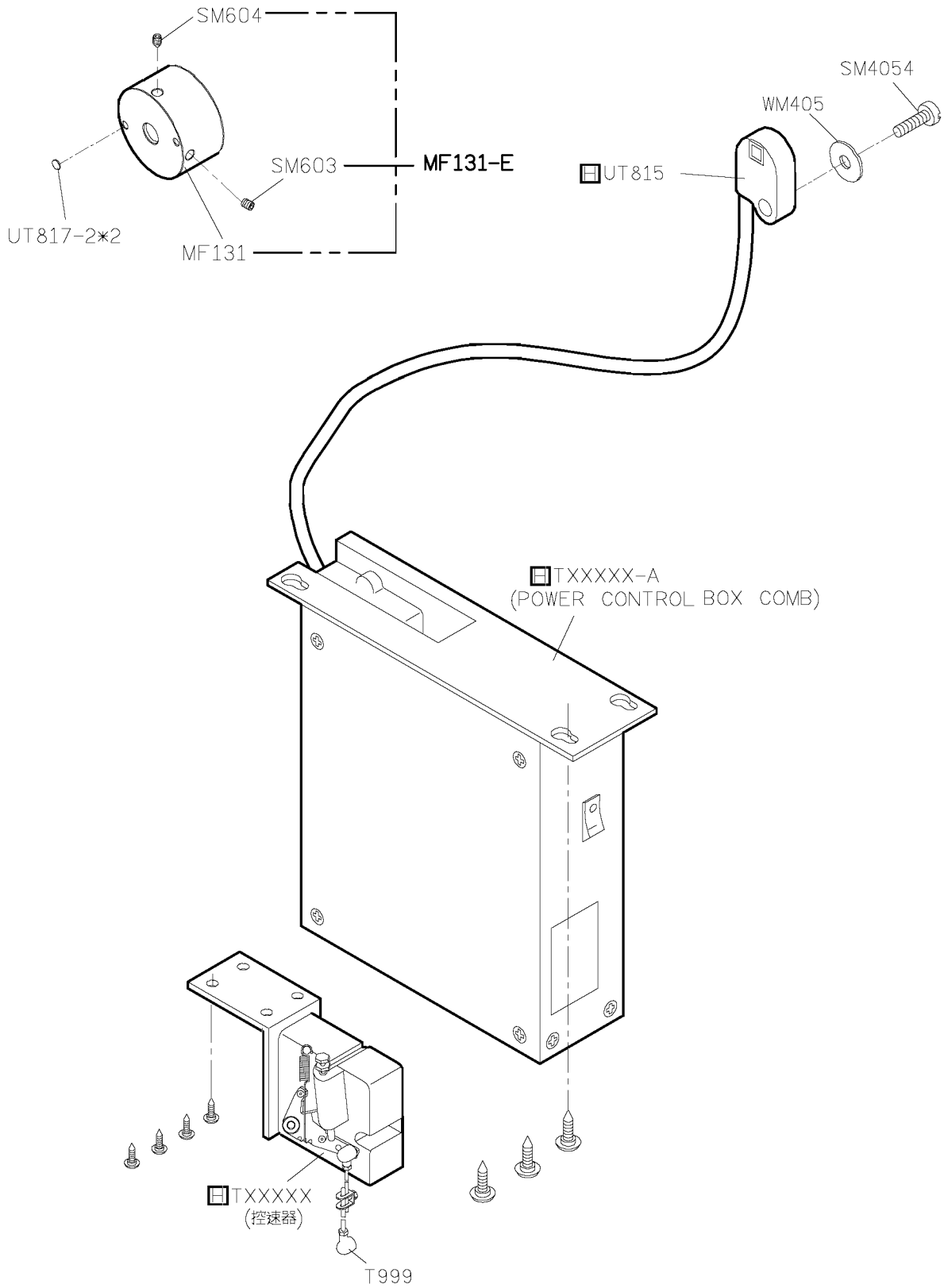
SIRUBA PARTS LIST	Series	Parts Group	Subclass / Remark	Page
	C007K/C007KD C858K/C858KD	UTR(UTS)-K	For C007KD/C858KD	10/11
			☐ : Use for H brand motor (HVP-20)	Date
				2012/11/01

A  
B  
C  
D  
E



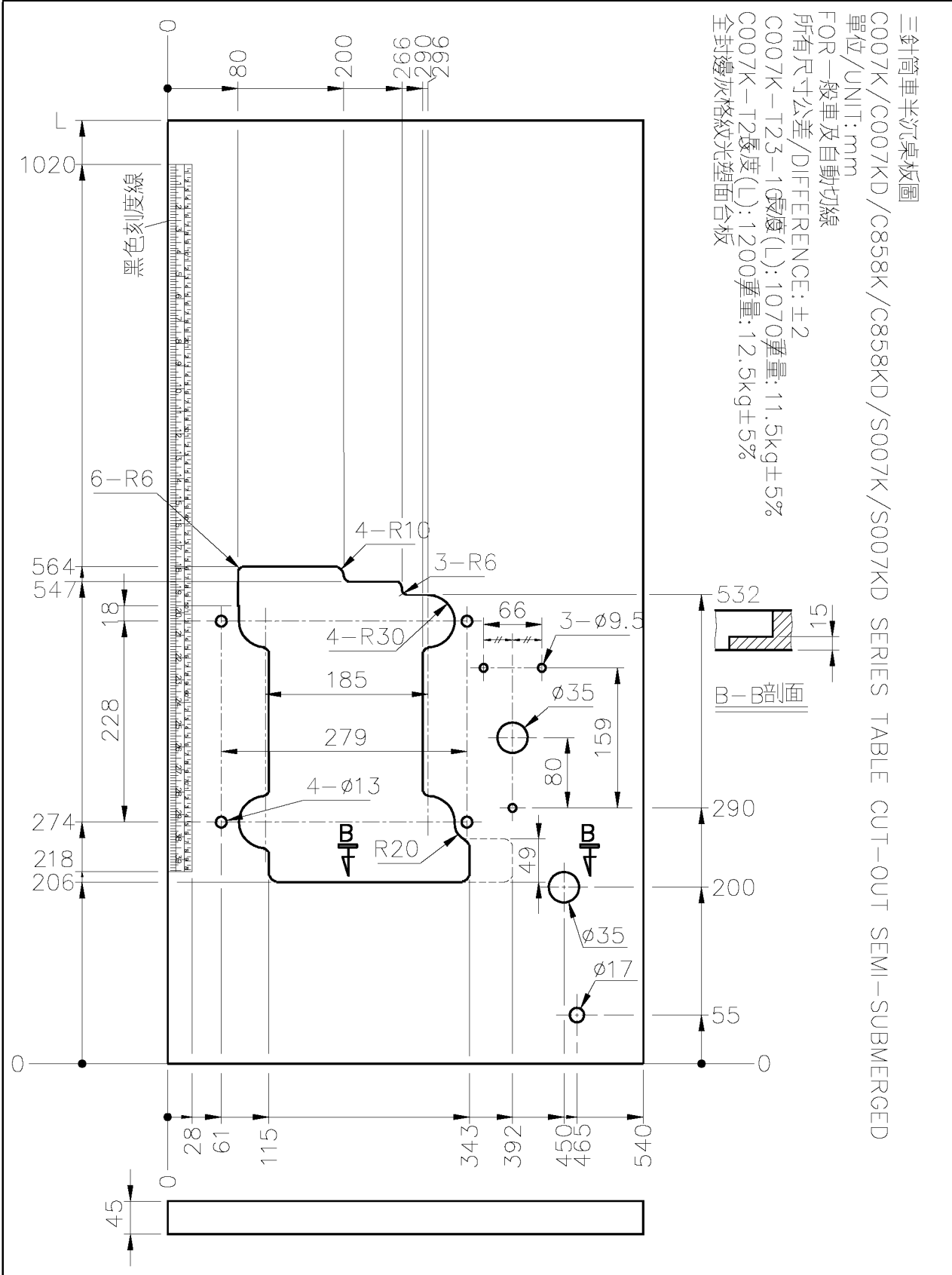
SIRUBA PARTS LIST	Series C007K/C007KD C858K/C858KD	Parts Group UTR(UTS)-K	Subclass / Remark For C007KD/C858KD ☐ : Use for H brand motor (HVP-70)	Page 11/11 Date 2012/11/01
----------------------	--	---------------------------	---	-------------------------------------

A  
B  
C  
D  
E





<b>SIRUBA</b> <b>TABLE</b> <b>CUT - OUT</b>	<b>Series</b>	<b>Item Code</b>	<b>Subclass / Remark</b>	<b>Mounting</b>
	C007K/C007KD C858K/C858KD S007K/S007KD	<b>C007K-T23</b>	For All Series	Semi-submerged
				<b>Date</b> 2013/01/28



SIRUBA TABLE CUT - OUT	Series	Item Code	Subclass / Remark	Mounting
	C007K/C007KD C858K/C858KD S007K/S007KD	<b>C007K-T25</b>	For All Series excluding	Non-submerged
			① RLP,RLQ Celastic tape attaching ② CRL Models ③ Condensed stitch(CAR,CMR,SAR,SER...)	Date
				2013/01/26

